

SLAC NATIONAL ACCELERATOR LABORATORY
U.S. DEPARTMENT OF ENERGY

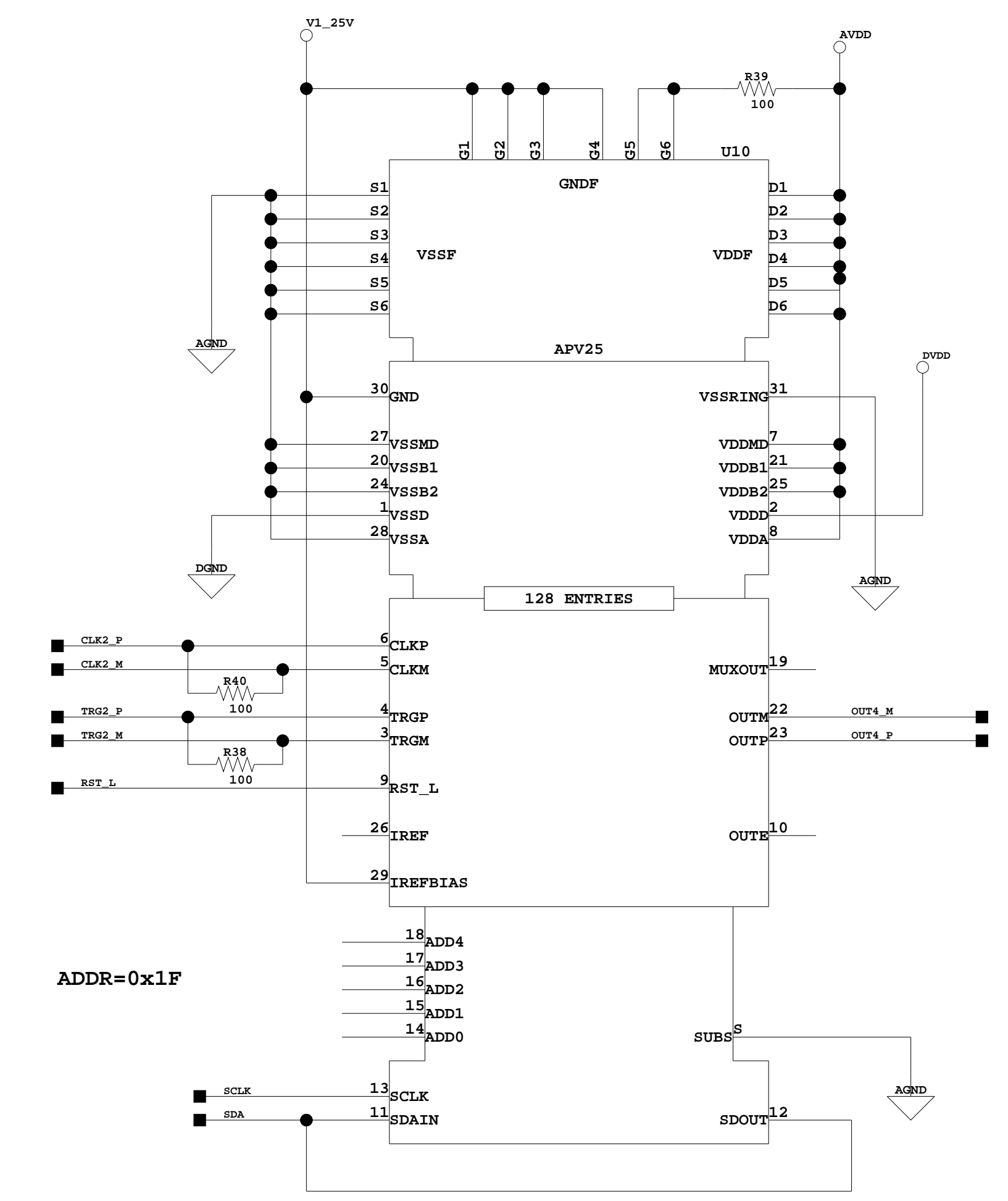
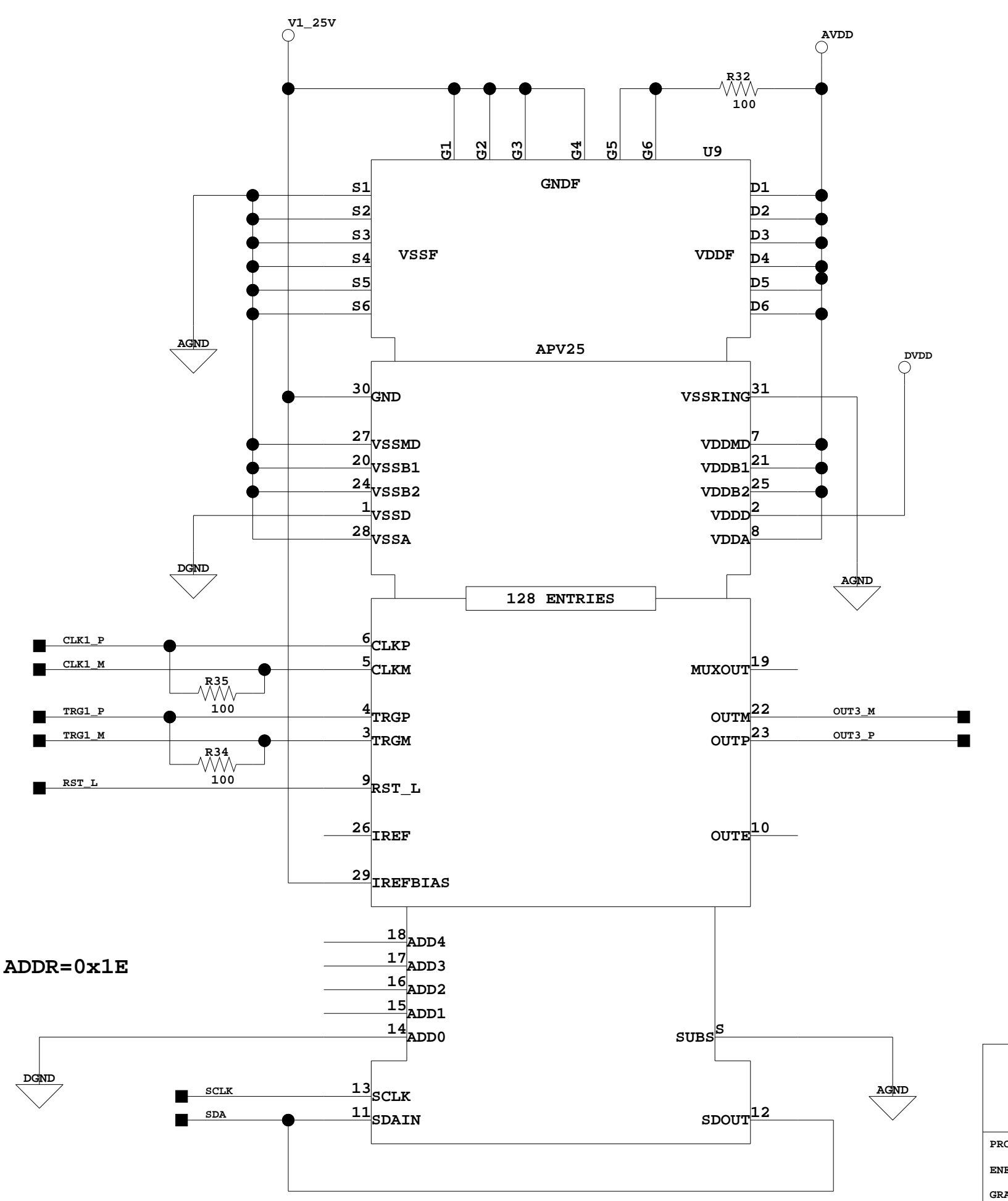
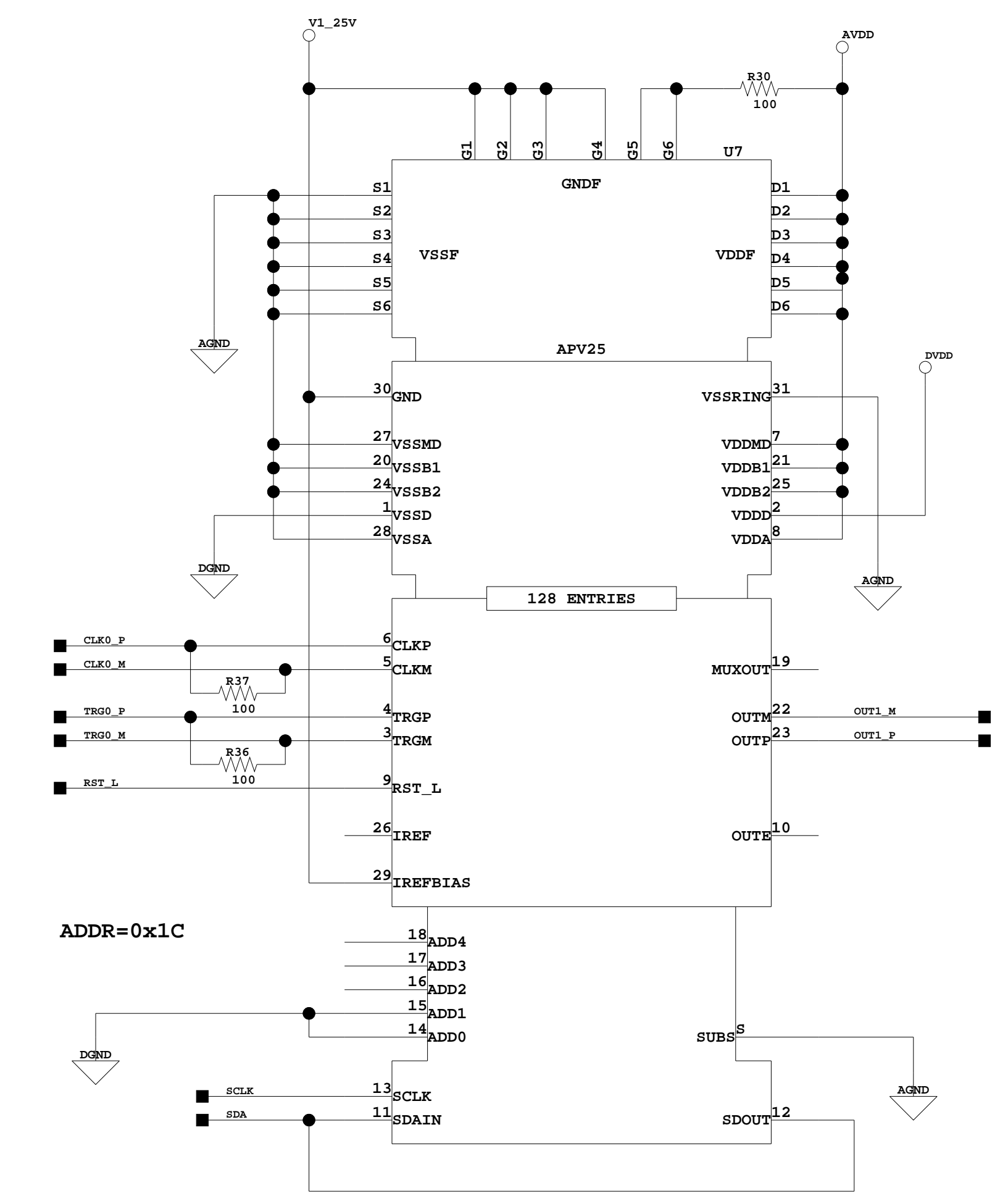
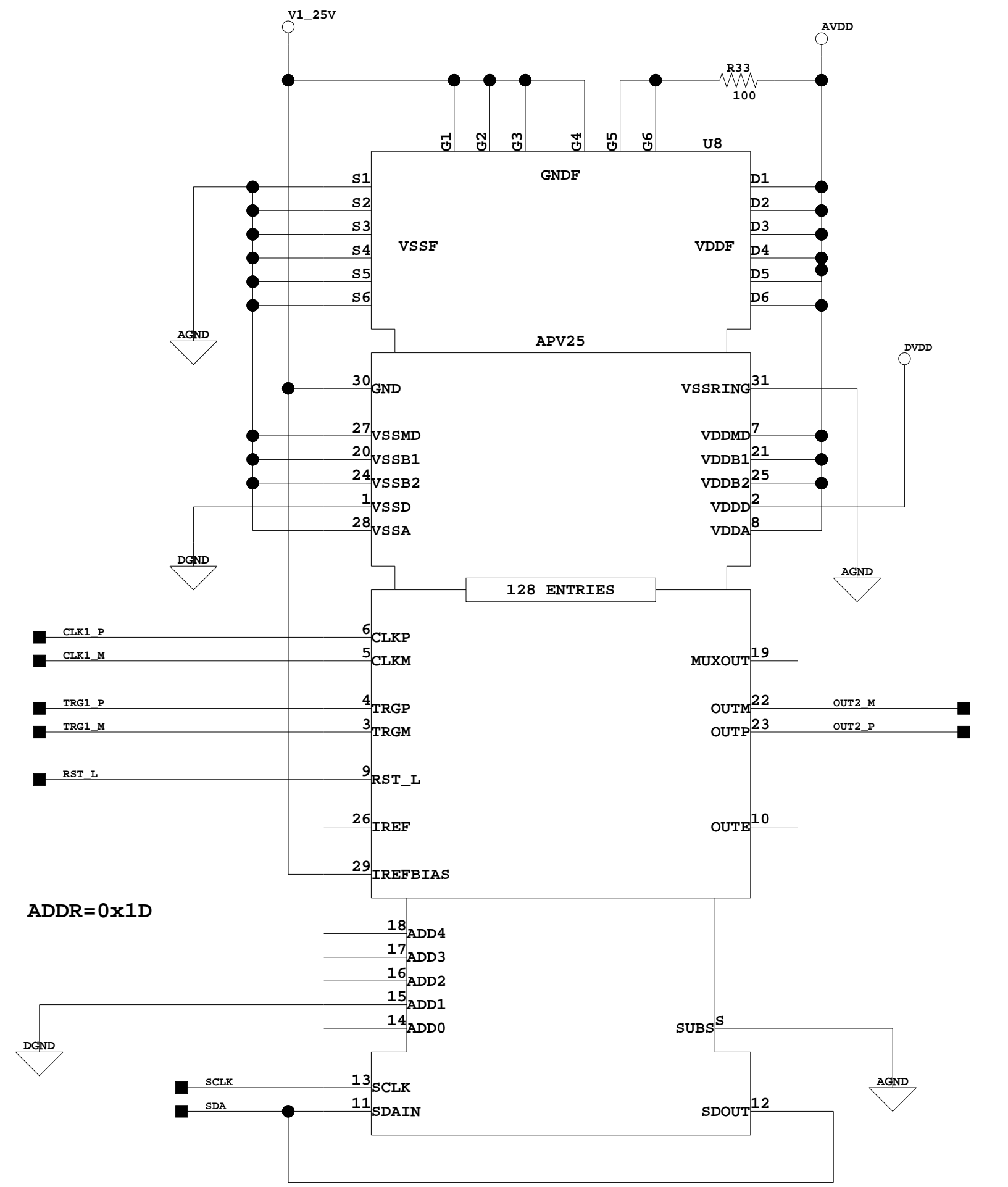
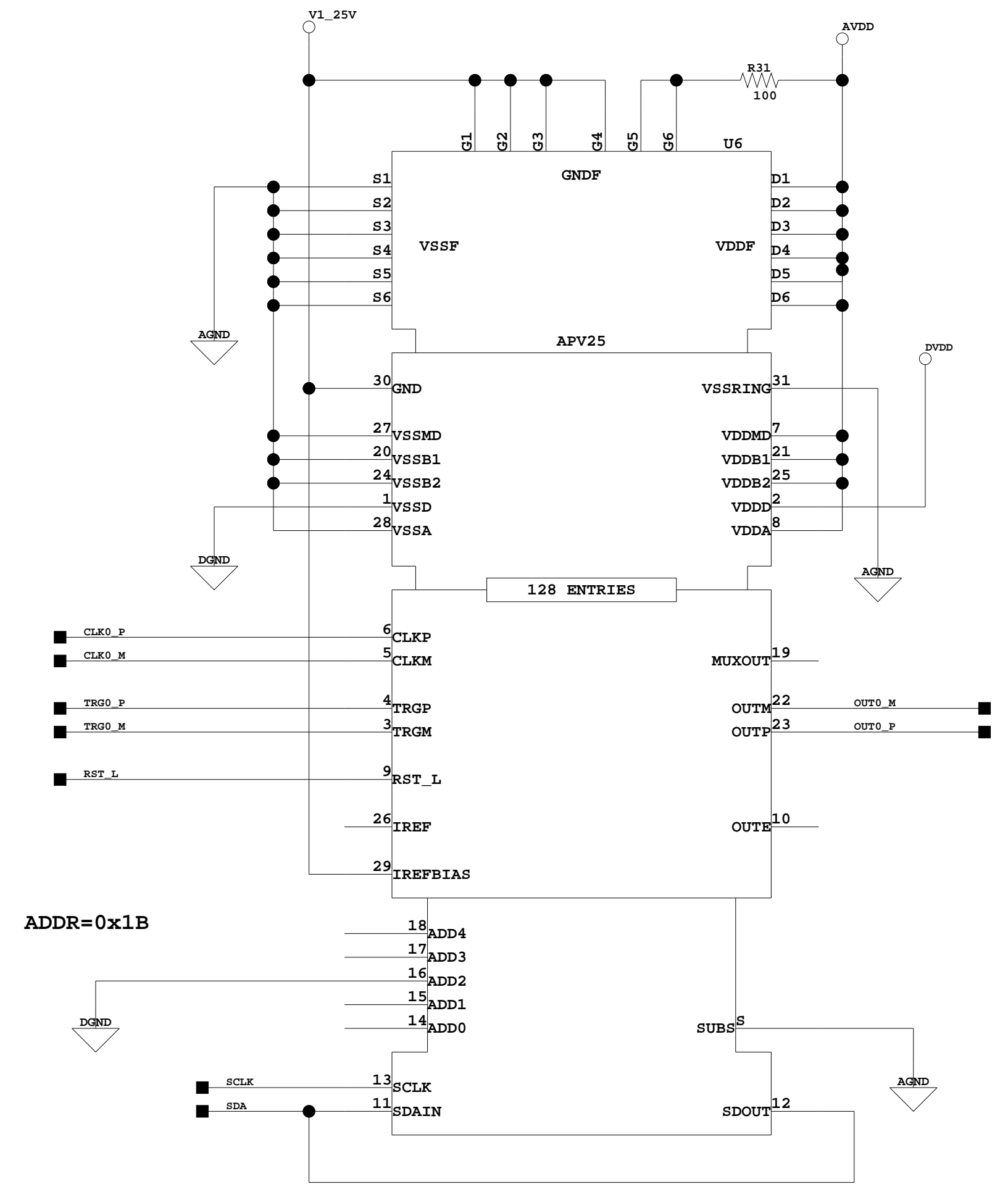
STANFORD UNIVERSITY STANFORD, CALIFORNIA

PROPRIETARY DATA OF STANFORD UNIVERSITY AND/OR U.S. DEPARTMENT OF ENERGY. RECIPIENT SHALL NOT PUBLISH THE INFORMATION WITHIN UNLESS GRANTED SPECIFIC PERMISSION OF STANFORD UNIVERSITY.

DATE	APPROVALS
2010	Ryan Herbat

HEAVY P TRACKER HYBRID BOARD
TOP LEVEL

SD-249-901-03-C01



CLK[2:0].P
 CLK[2:0].M
 TRG[2:0].P
 TRG[2:0].M
 OUT[4:0].P
 OUT[4:0].M

1-20-2011_13:29

SLAC NATIONAL ACCELERATOR LABORATORY U.S. DEPARTMENT OF ENERGY STANFORD UNIVERSITY STANFORD, CALIFORNIA		
PROPRIETARY DATA OF STANFORD UNIVERSITY AND/OR U.S. DEPARTMENT OF ENERGY. RECIPIENT SHALL NOT PUBLISH THE INFORMATION WITHIN UNLESS GRANTED SPECIFIC PERMISSION OF STANFORD UNIVERSITY.		
BDR	Ryan Herbat	2010
DFR		
CDR		

HEAVY P TRACKER HYBRID BOARD APV25 ASICS	
SD-249-901-03-C01	