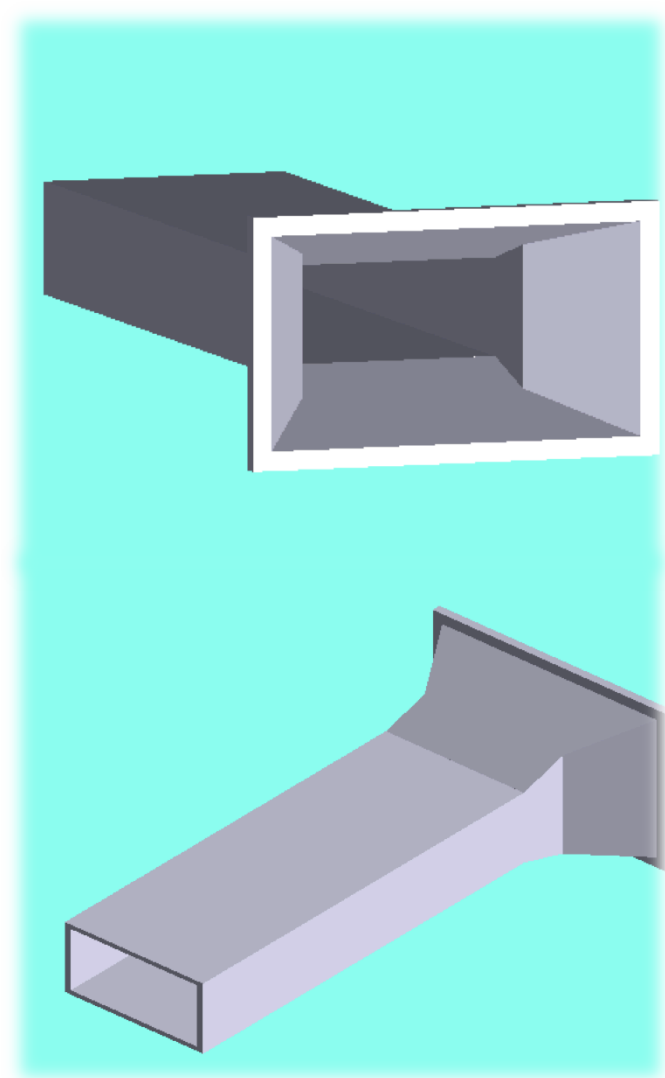
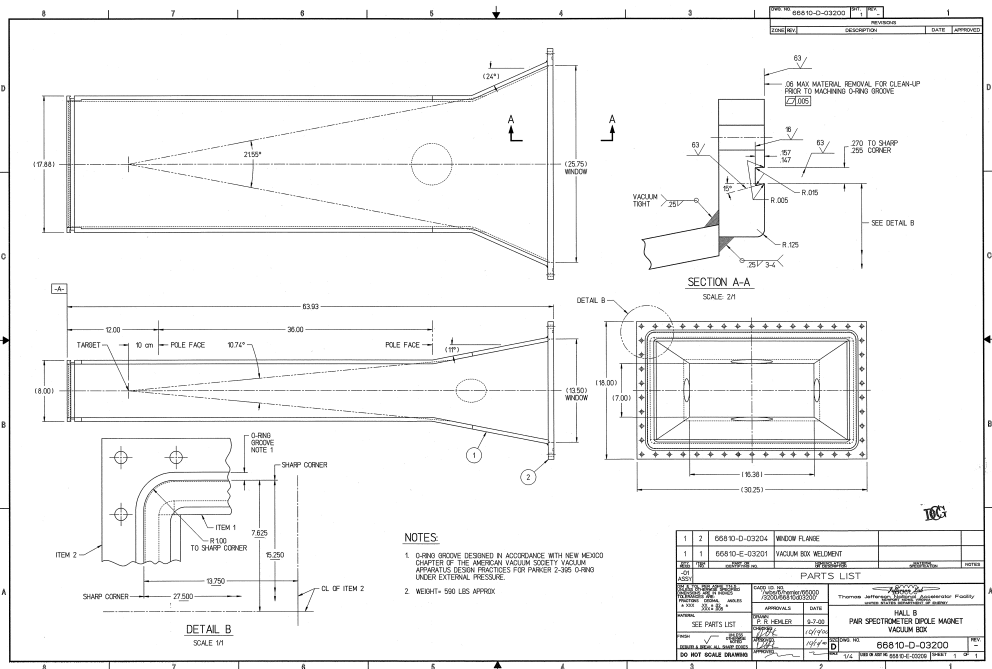


HPS Test Vacuum Box



Stainless Steel 304

½ inch thick (x)

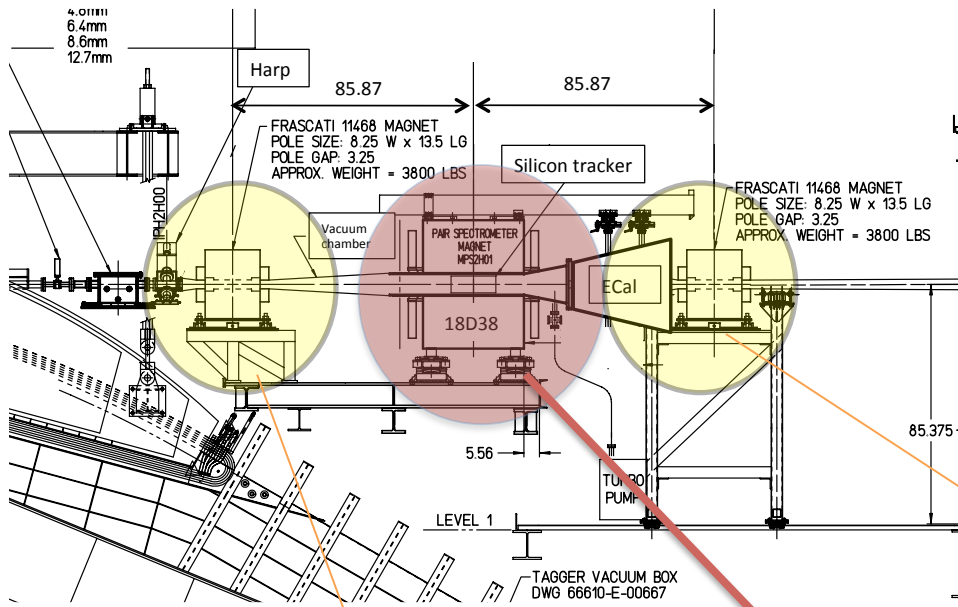
¾ inch thick (y)

63.93" long

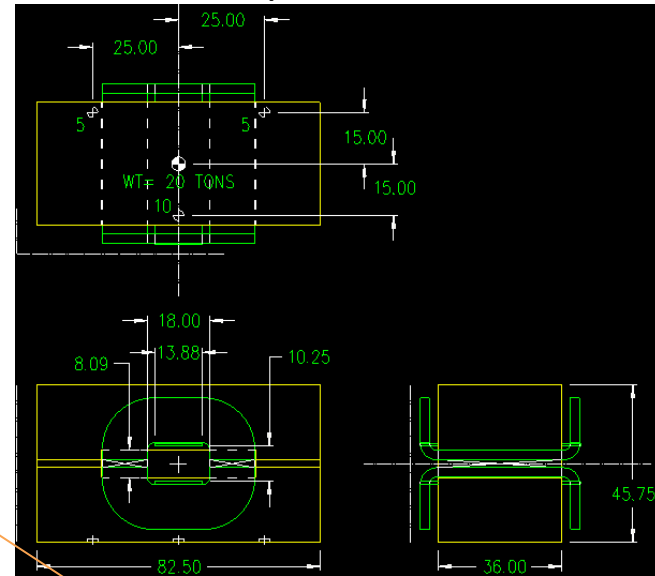
Flange:

1" thick

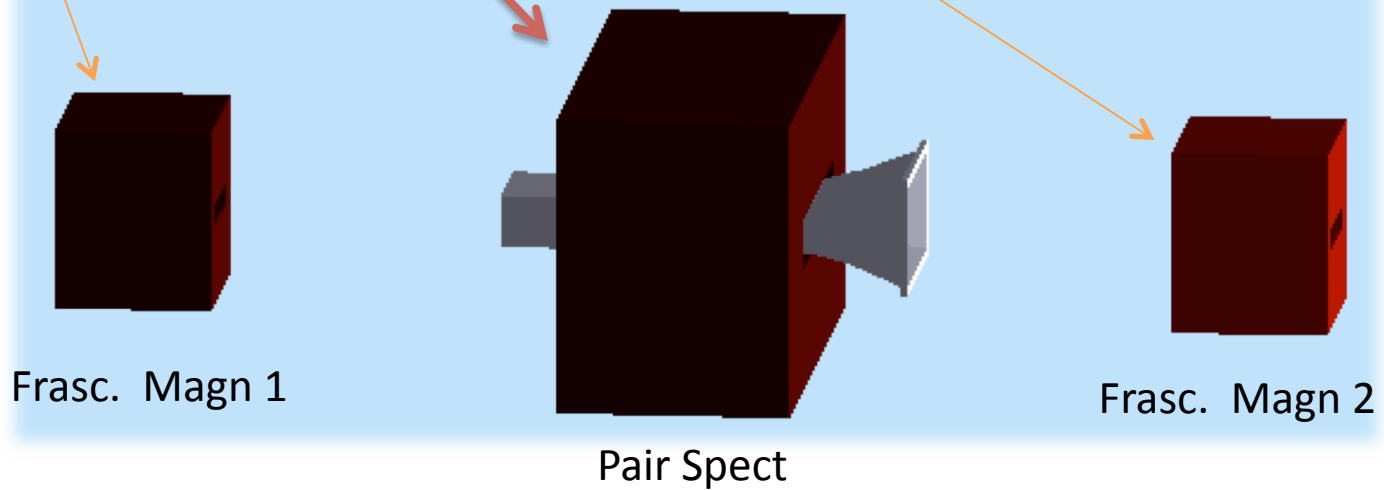
HPS Test Magnets



Pair Spectrometer



Frascati Magnets Pair Spectrometer



Frasc. Magn 1

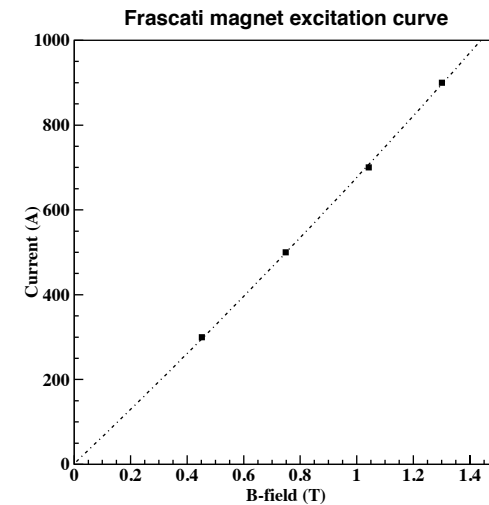
Pair Spect

Frasc. Magn 2

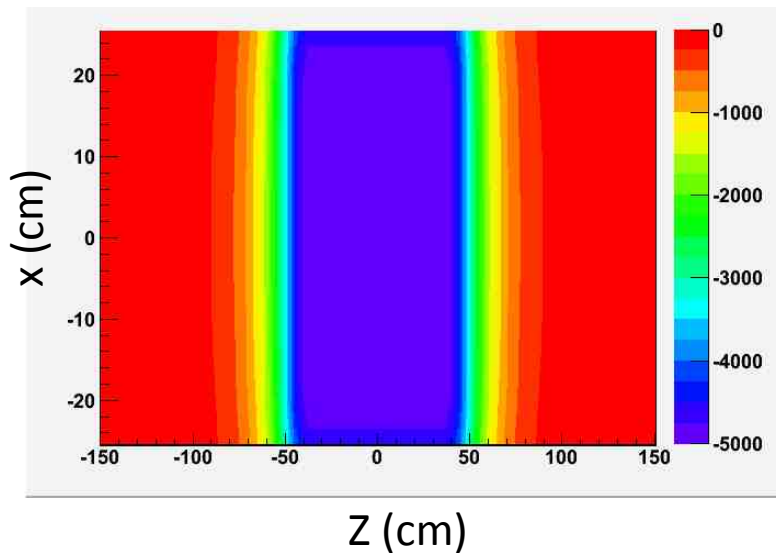
HPS Test Magnets Field Maps

Provided by Stepan, CLAS Note 2011-2
Measurements of Frascati, PS Magnets

Frascati Magnets Current for 0.25 Tm:
335.9 A (based on max field value)

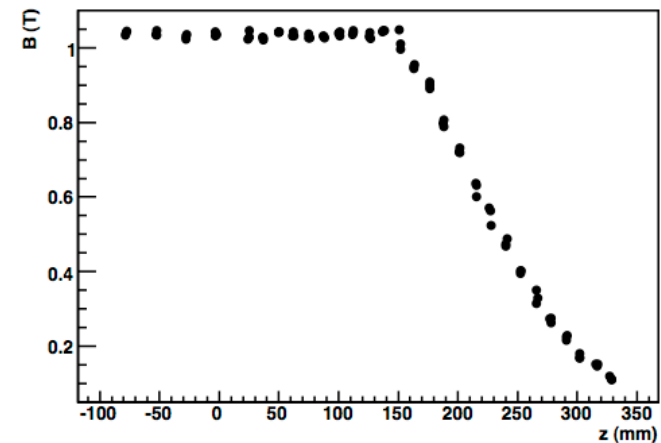


Pair Spectrometer Field: 0.5 T field



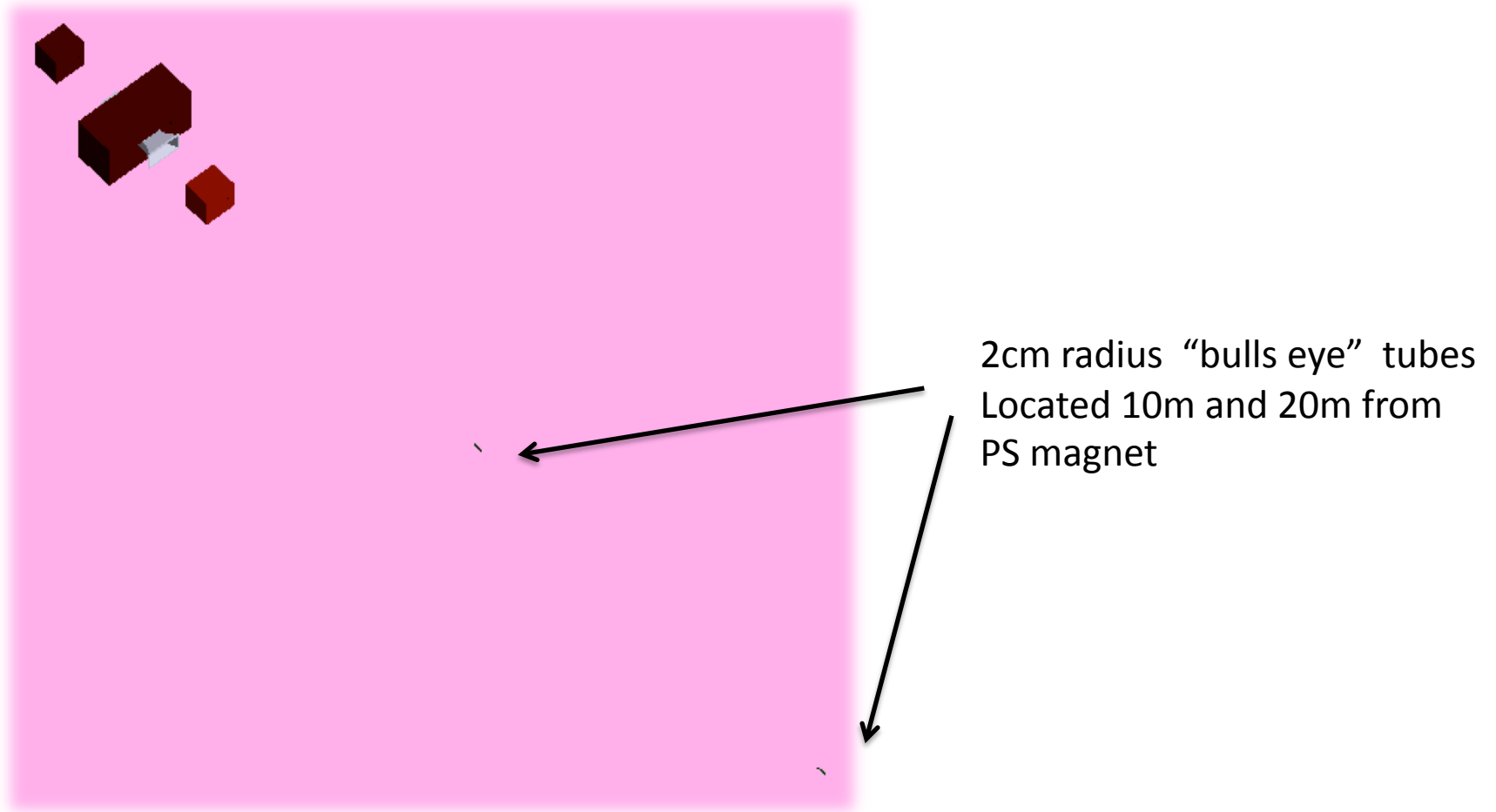
Field (Gauss)

$I=700$ (A) : z (mm) $x=(0, 18.25625, 32.54375)$ (mm)

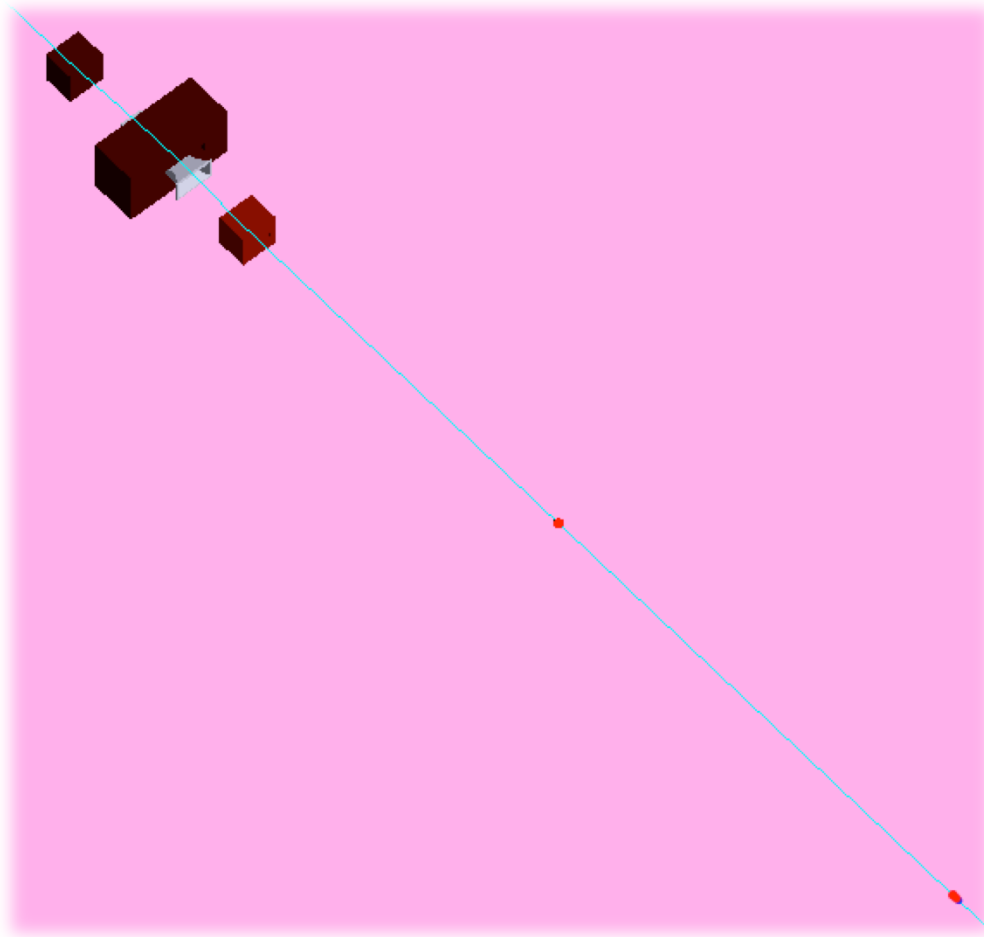


Frascati Magnet Measurement

HPS Test Chicane Alignment



HPS Test Chicane Alignment



2.2 GeV Electron (cyan)

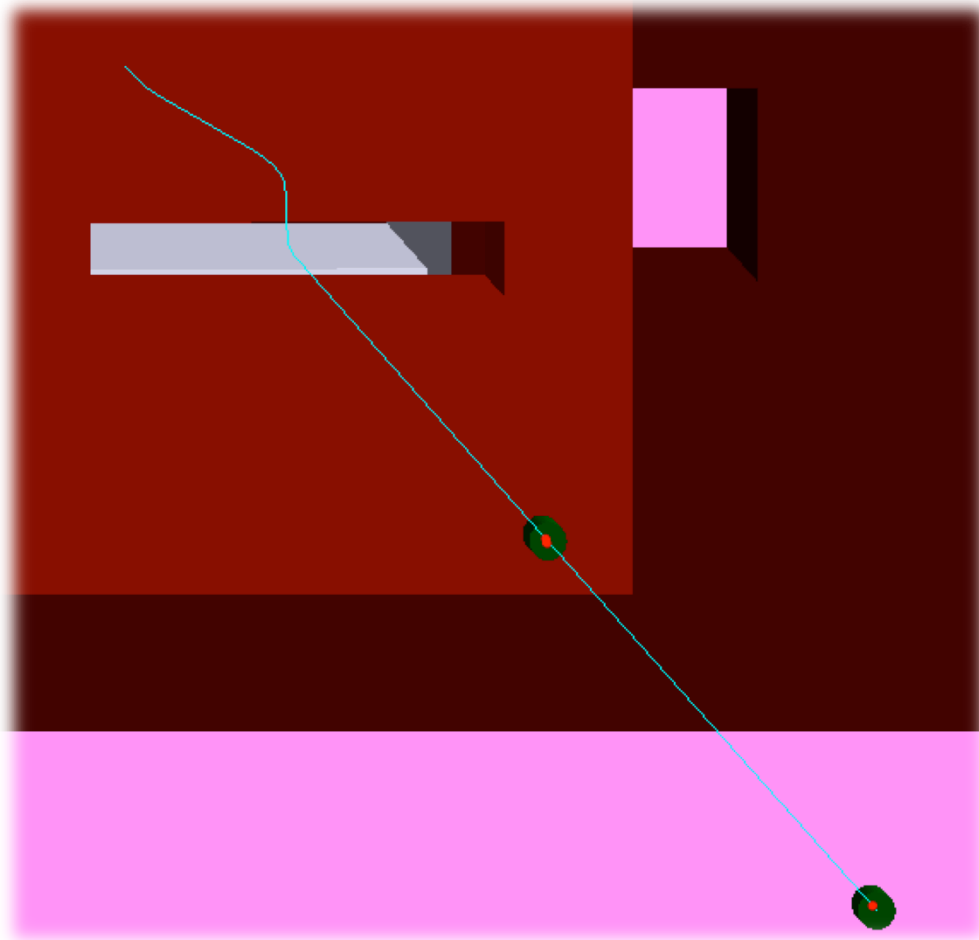
2cm radius “bulls eye” tubes
Located 10m and 20m from
PS magnet

2.2 GeV electron (cyan)

Red Dot = hit

**To achieve alignment:
PS Strength: 88%**

HPS Test Chicane Alignment



2cm radius “bulls eye” tubes
Located 10m and 20m from
PS magnet

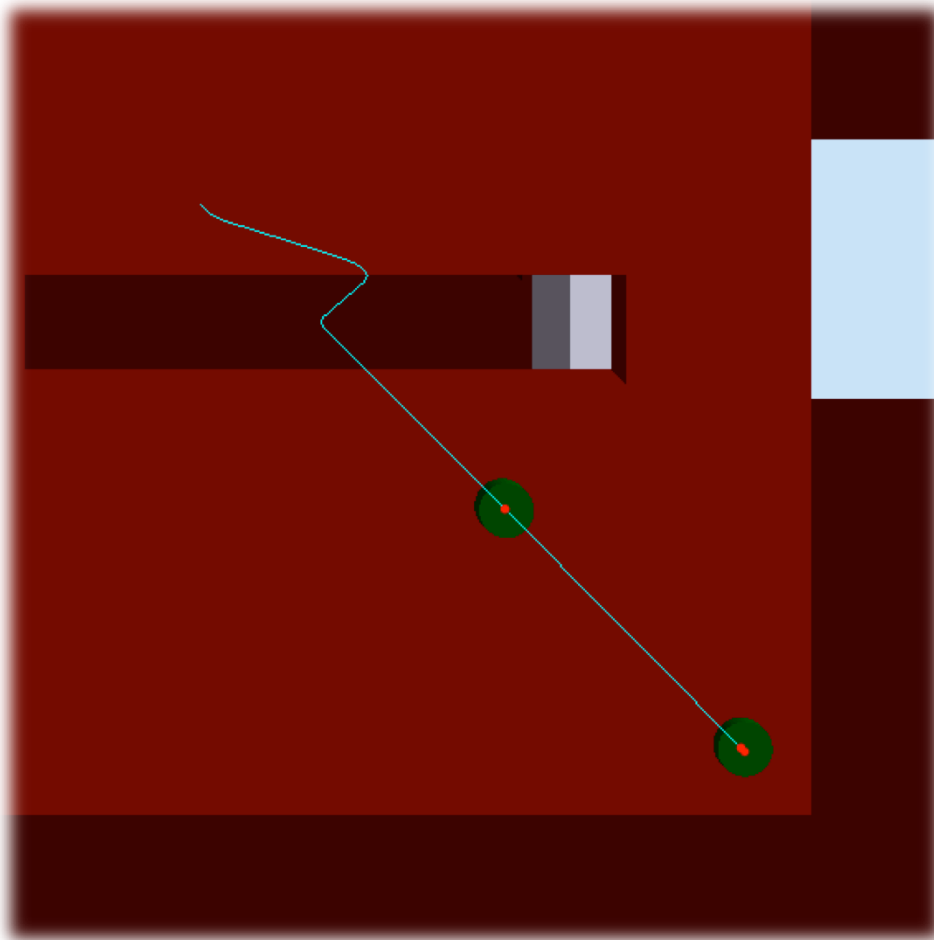
2.2 GeV electron (cyan)

Red Dot = hit

**To achieve alignment:
PS Strength: 88%**

2.2 GeV Electron (cyan) Zoomed in

HPS Test Chicane Alignment



2cm radius “bulls eye” tubes
Located 10m and 20m from
PS magnet

2.2 GeV electron (cyan)

Red Dot = hit

PS at 0.5T

**Frascati Magnet at 1/0.88
Or 114%**

2.2 GeV Electron (cyan) Zoomed in