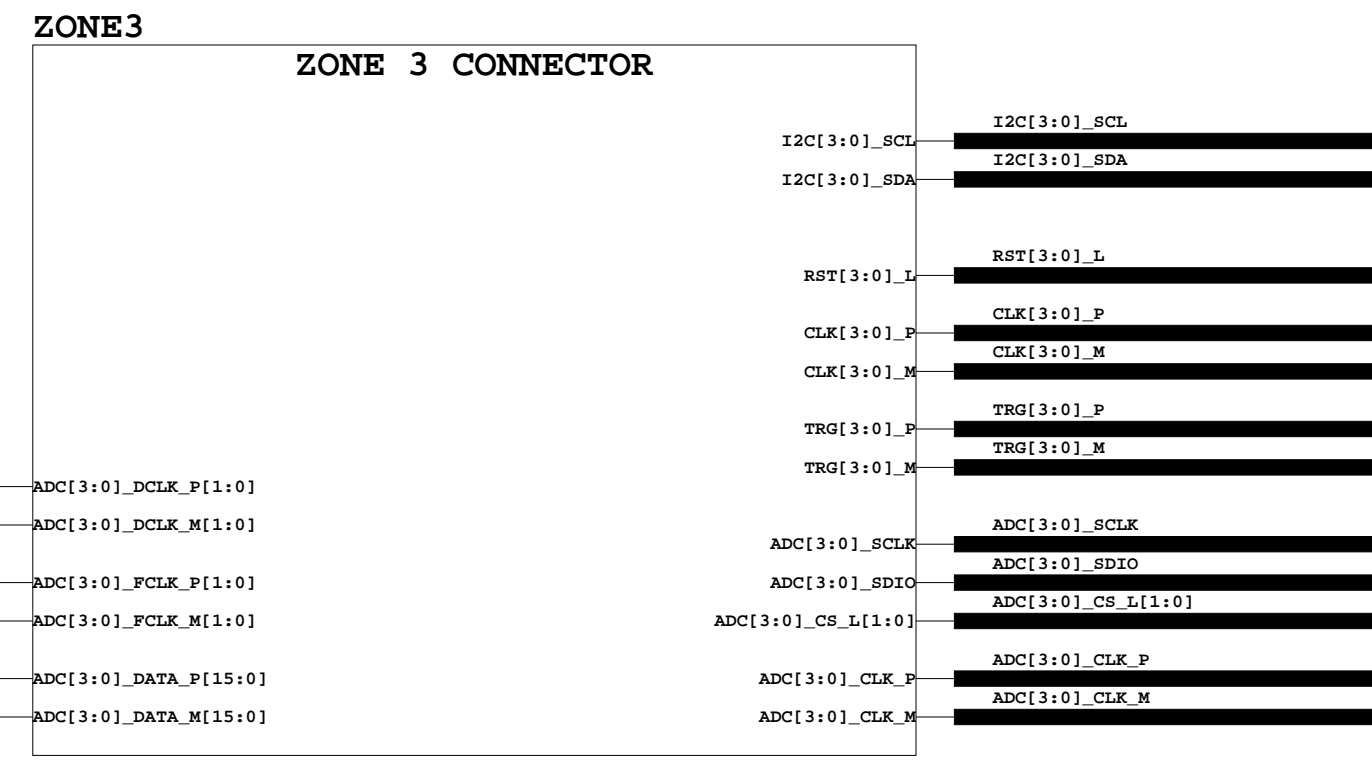
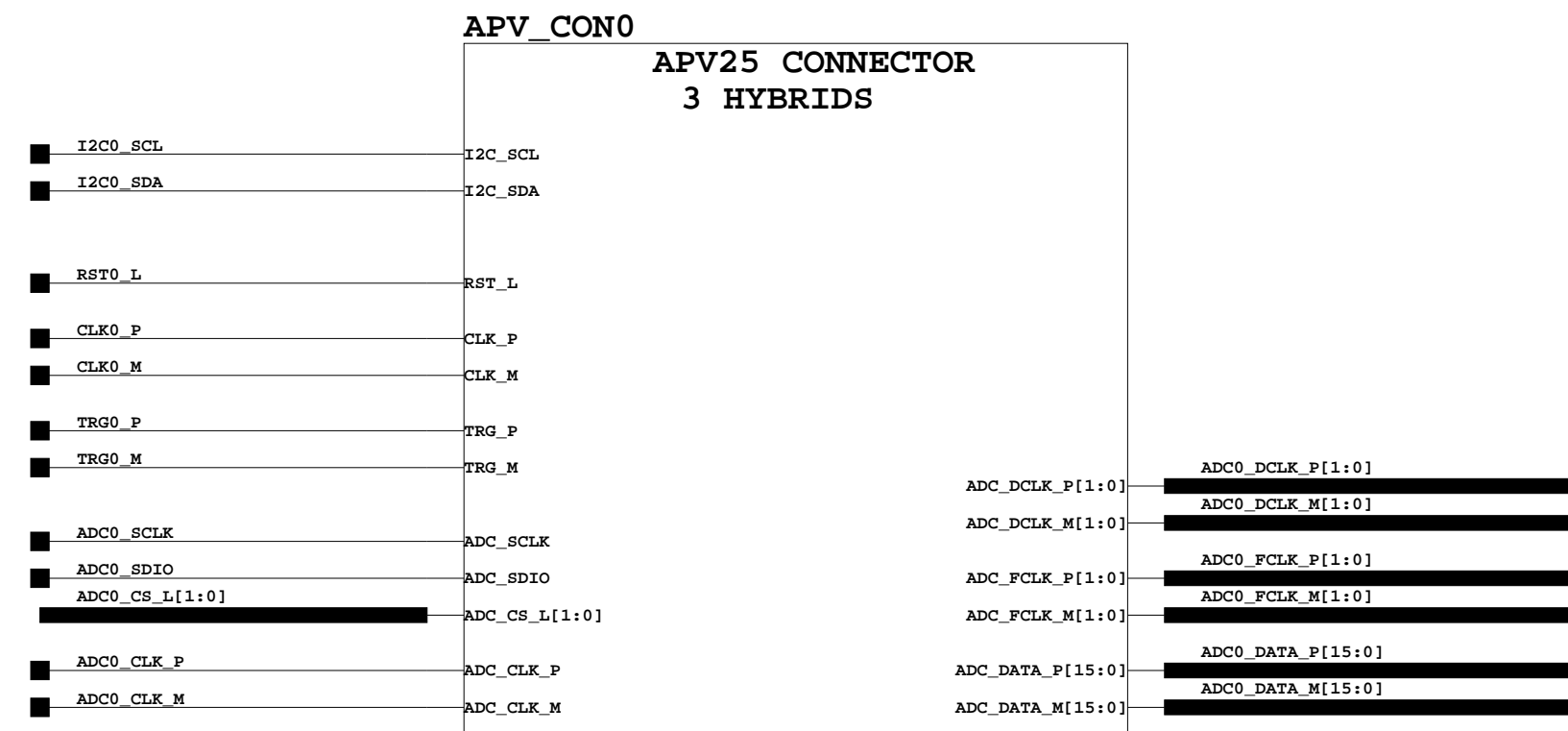


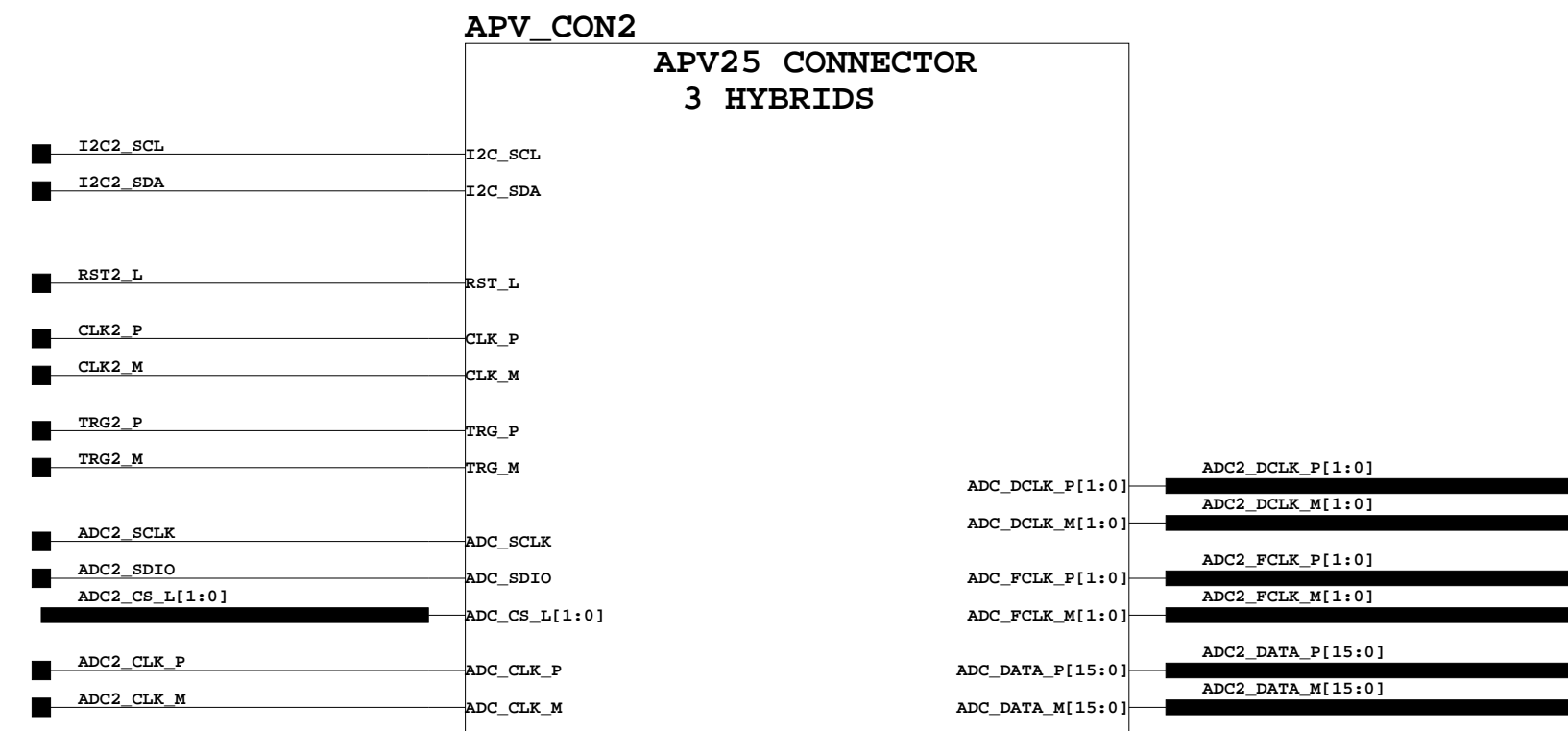
SHEET=2



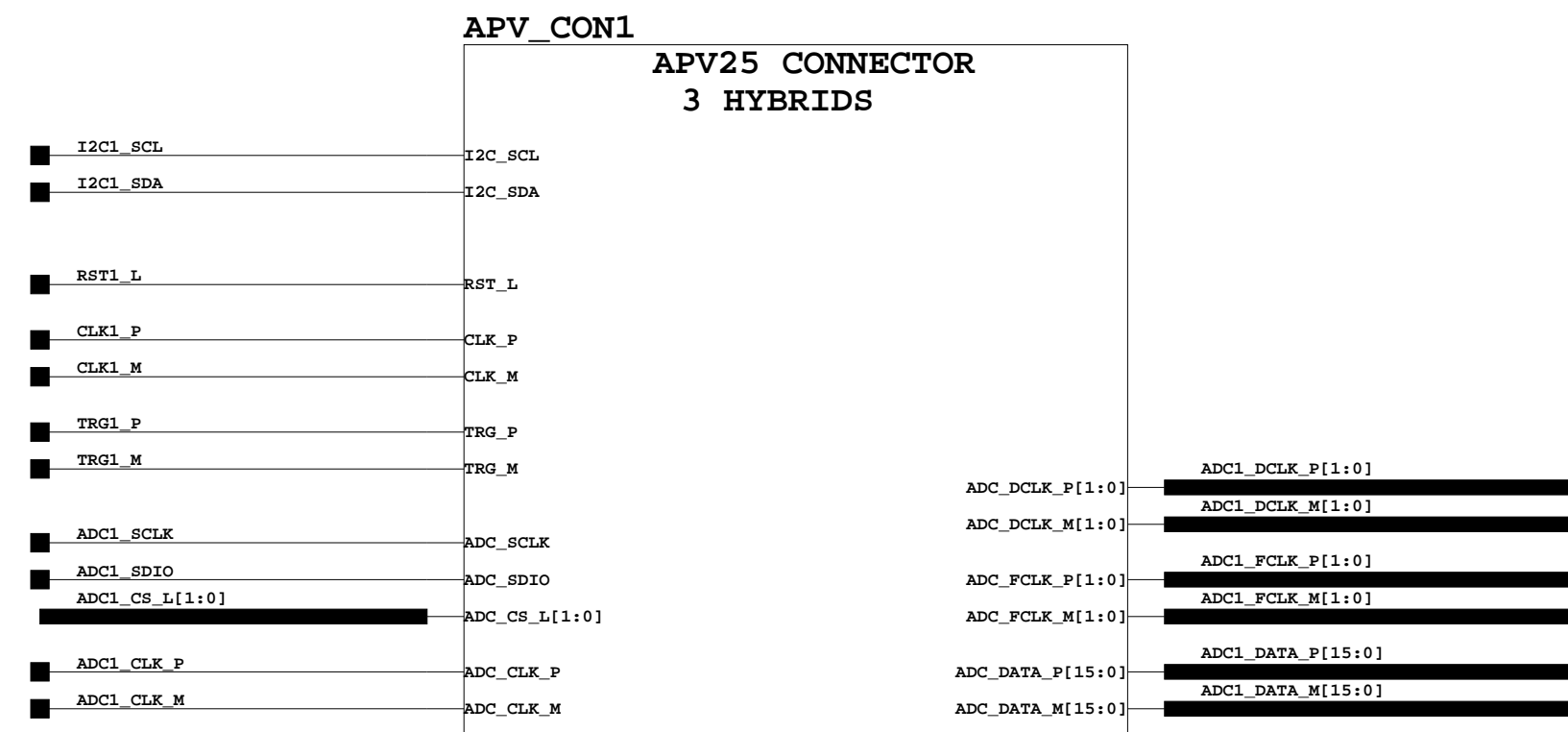
SHEET=23



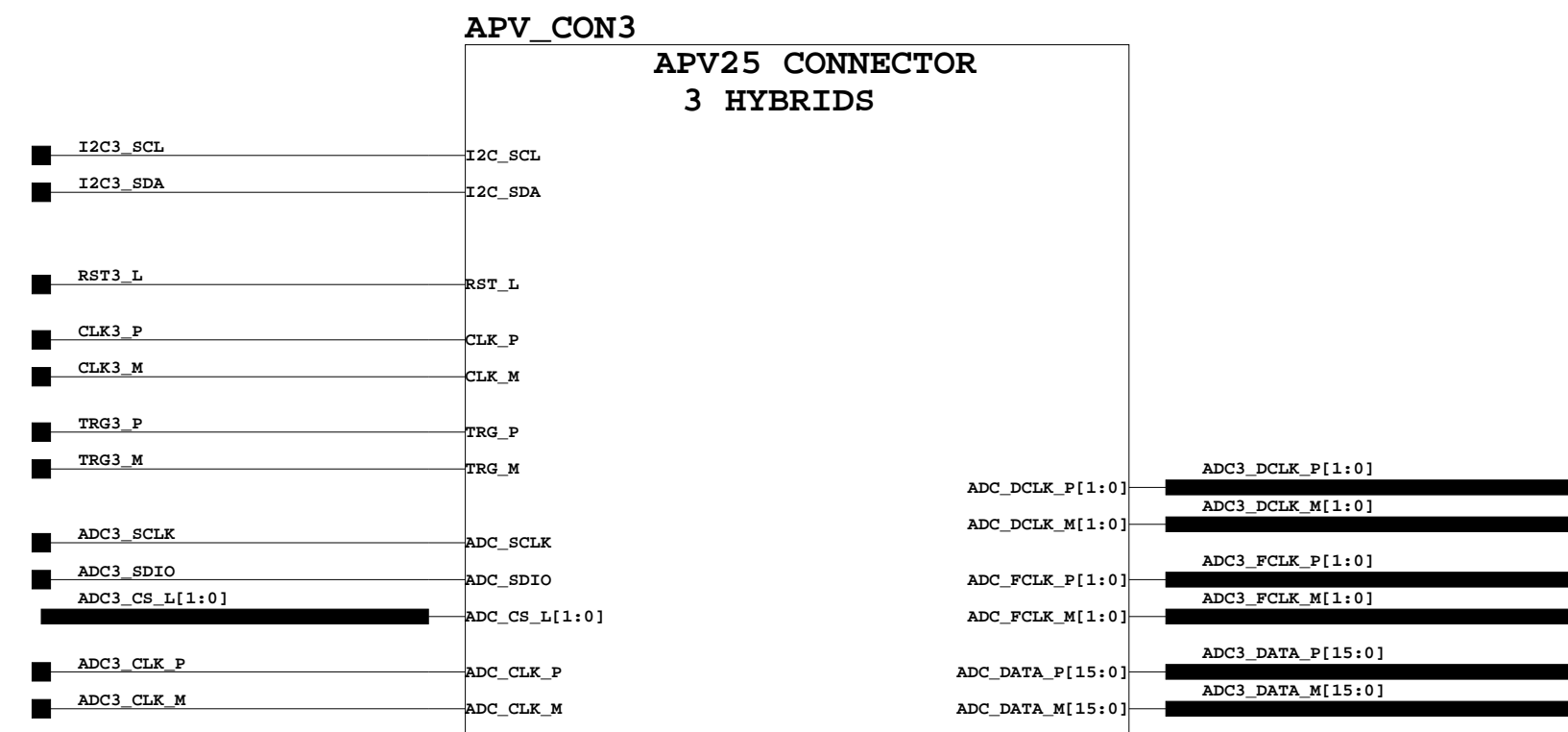
SHEET=3



SHEET=13

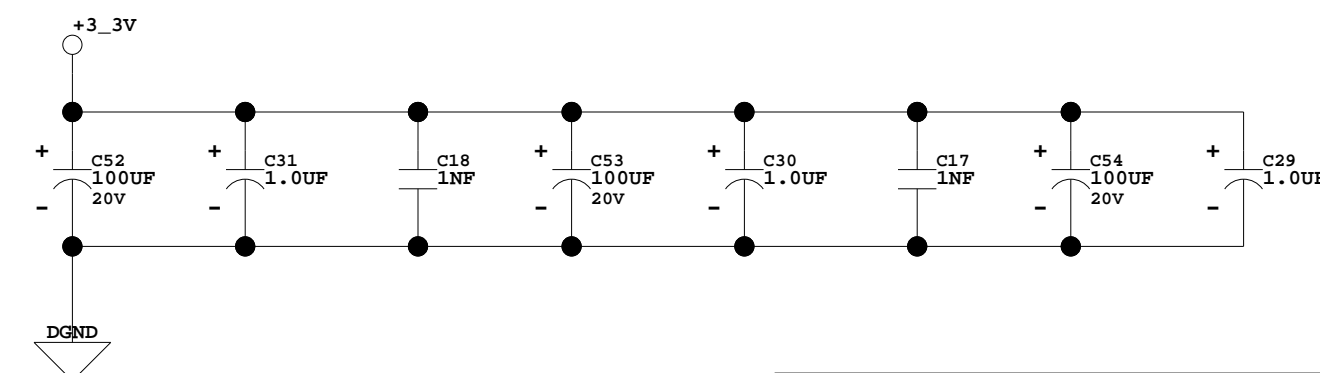
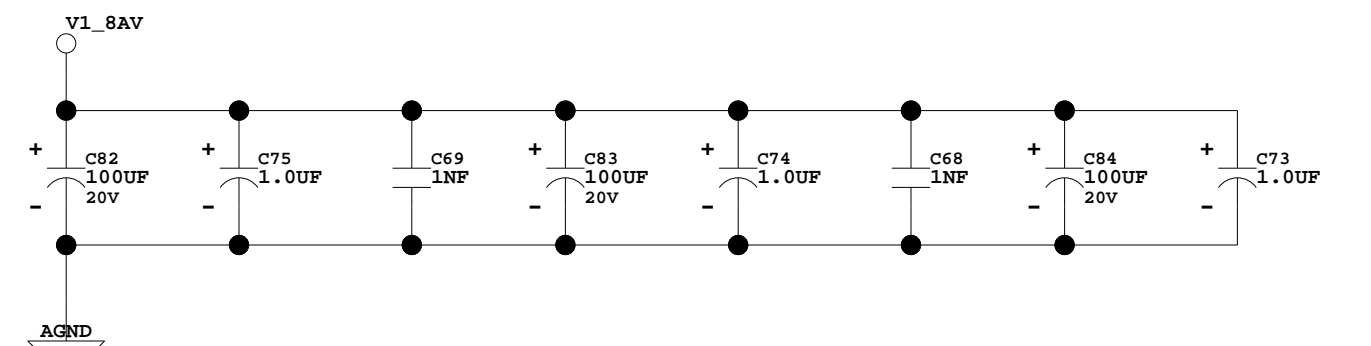
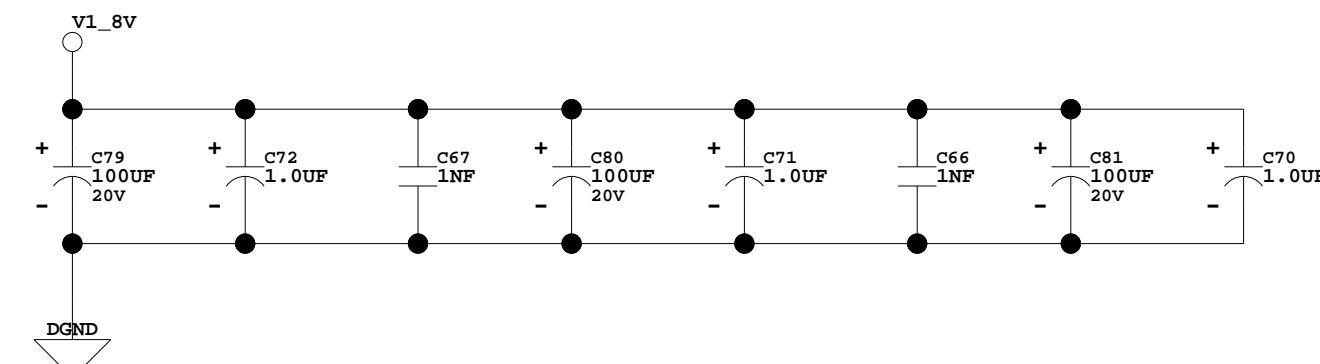
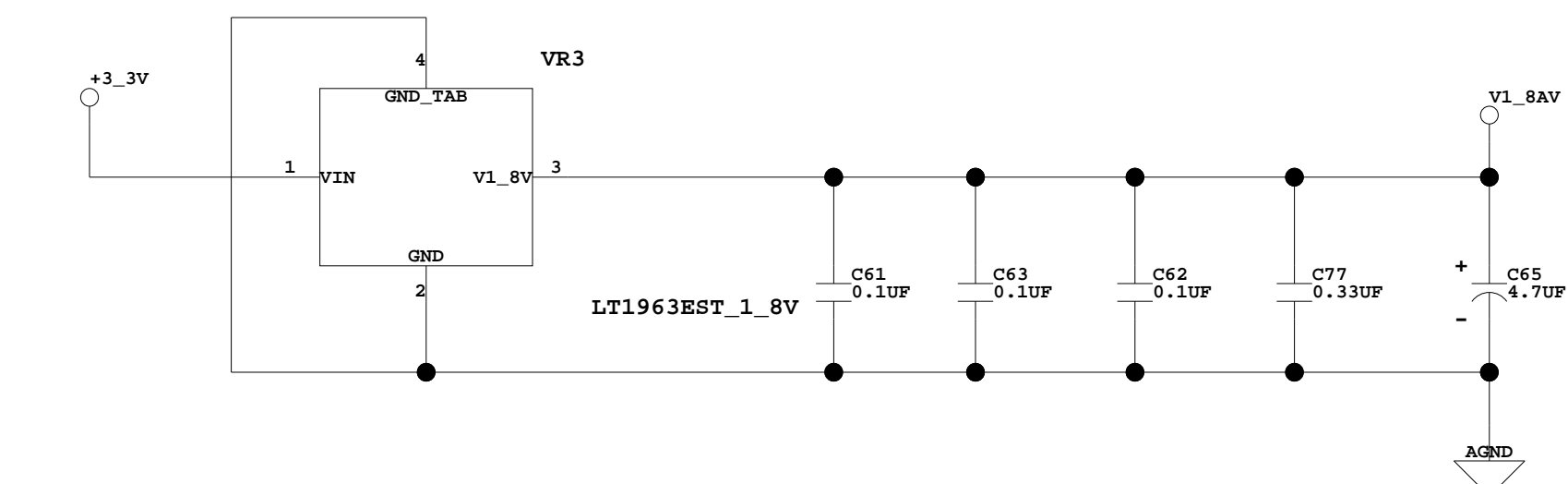
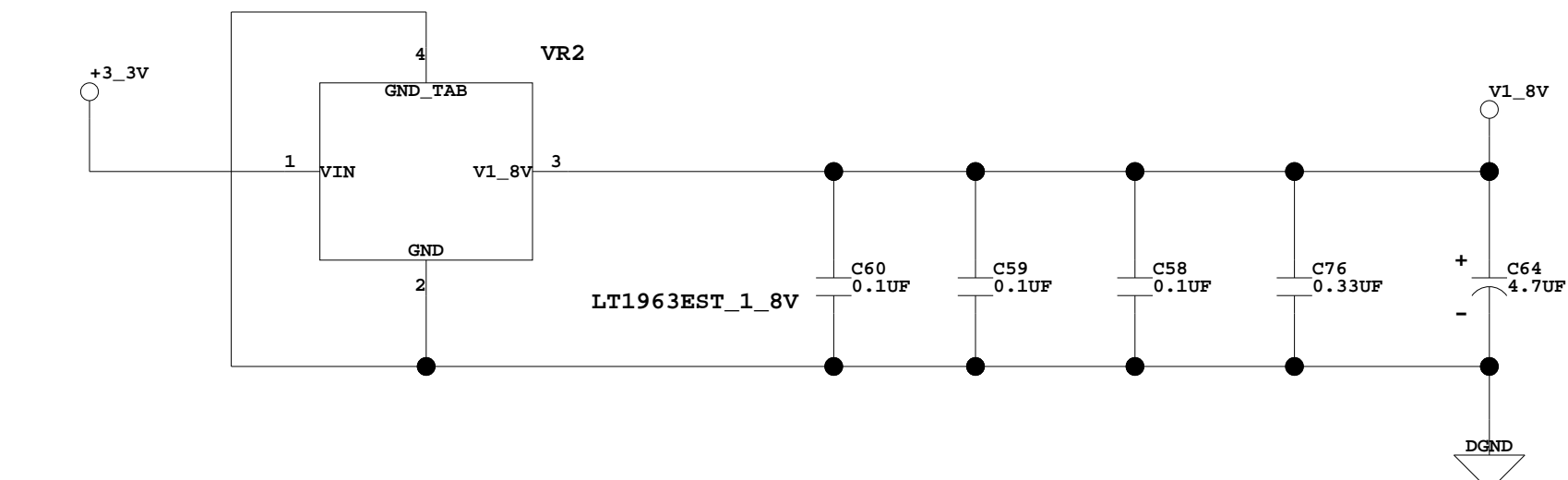
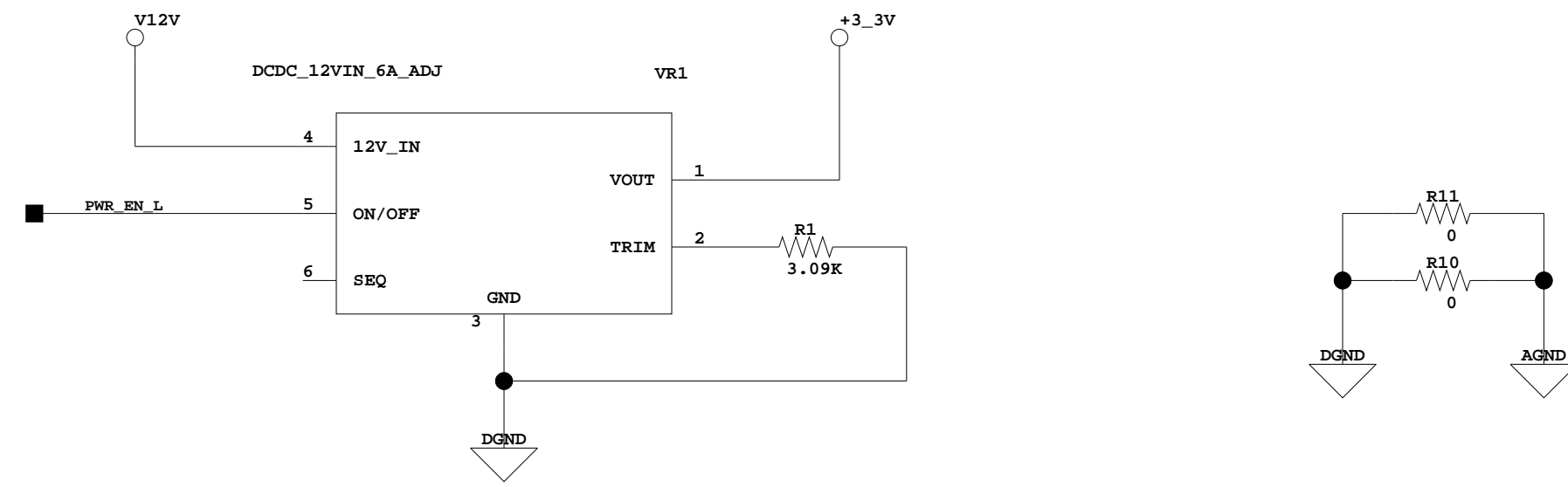
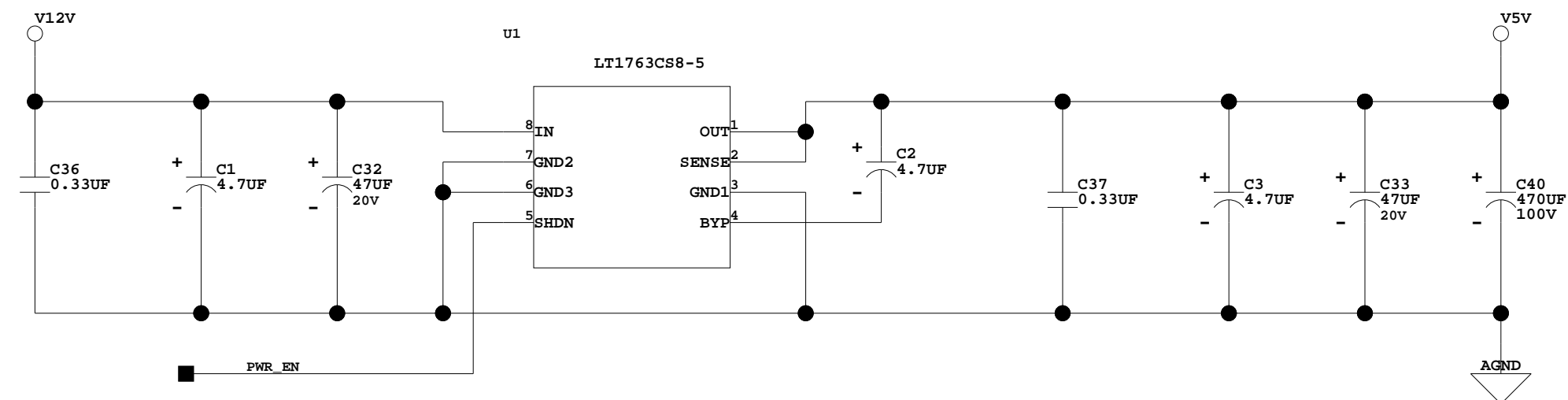
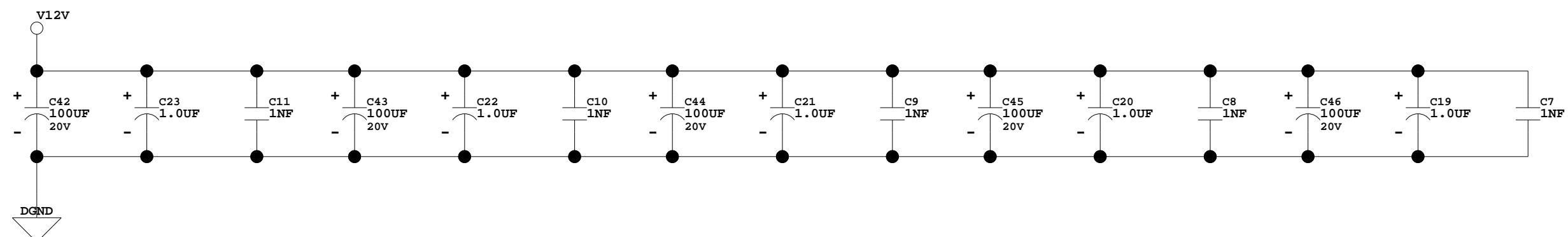
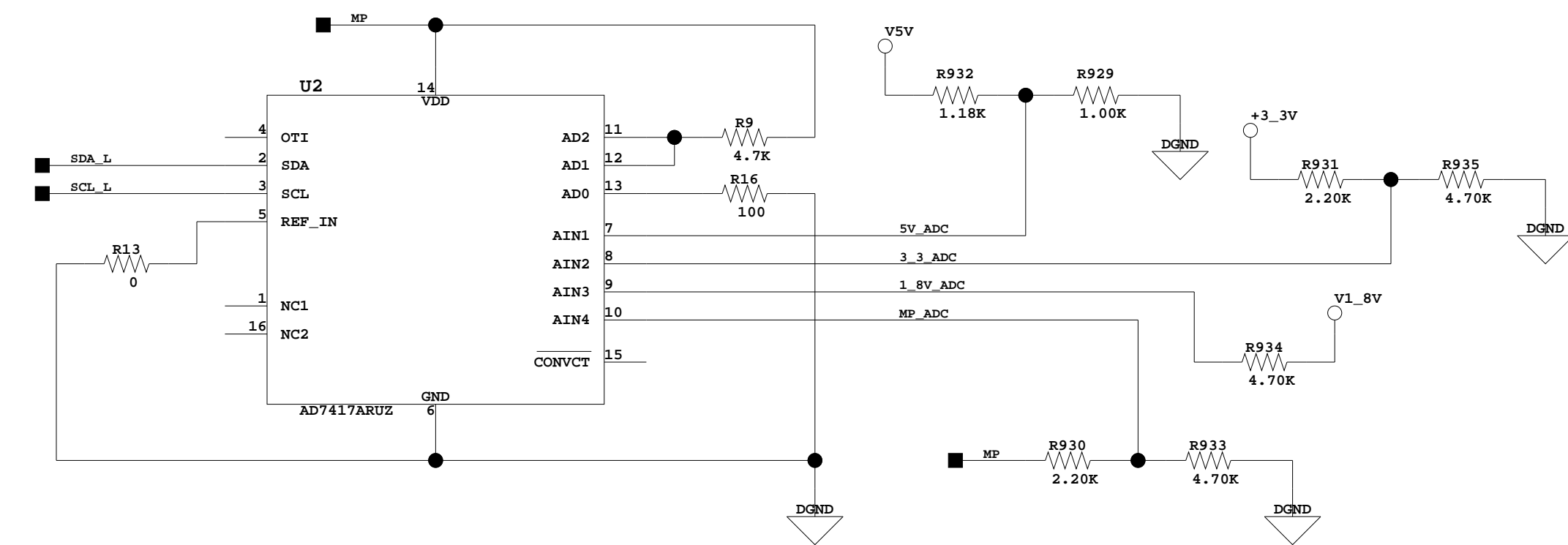
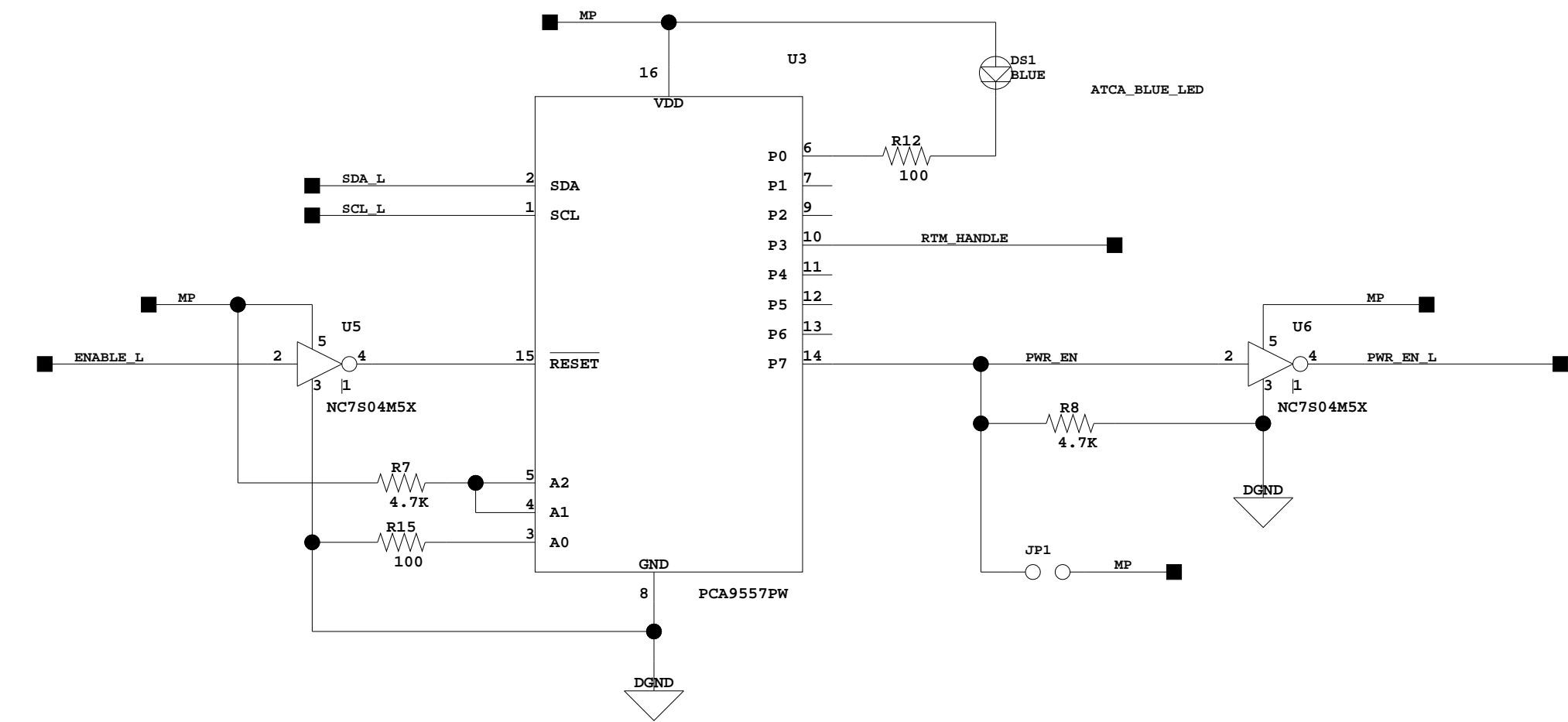
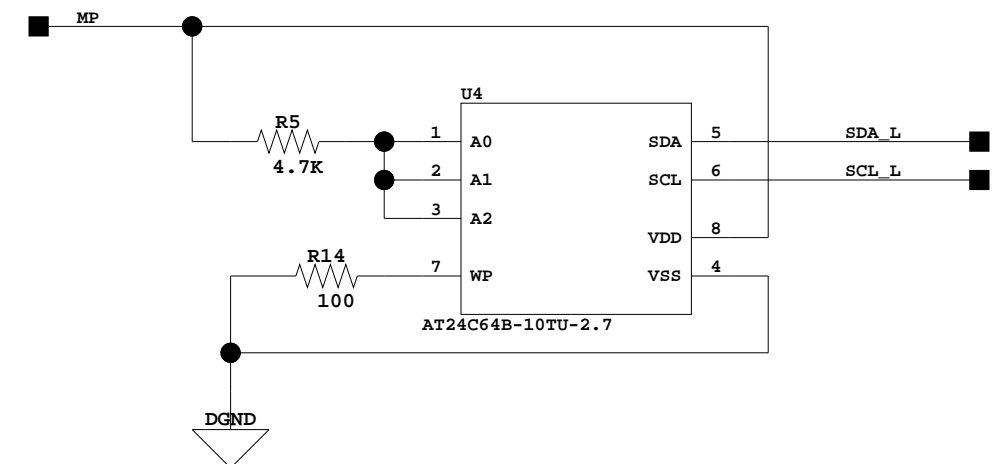
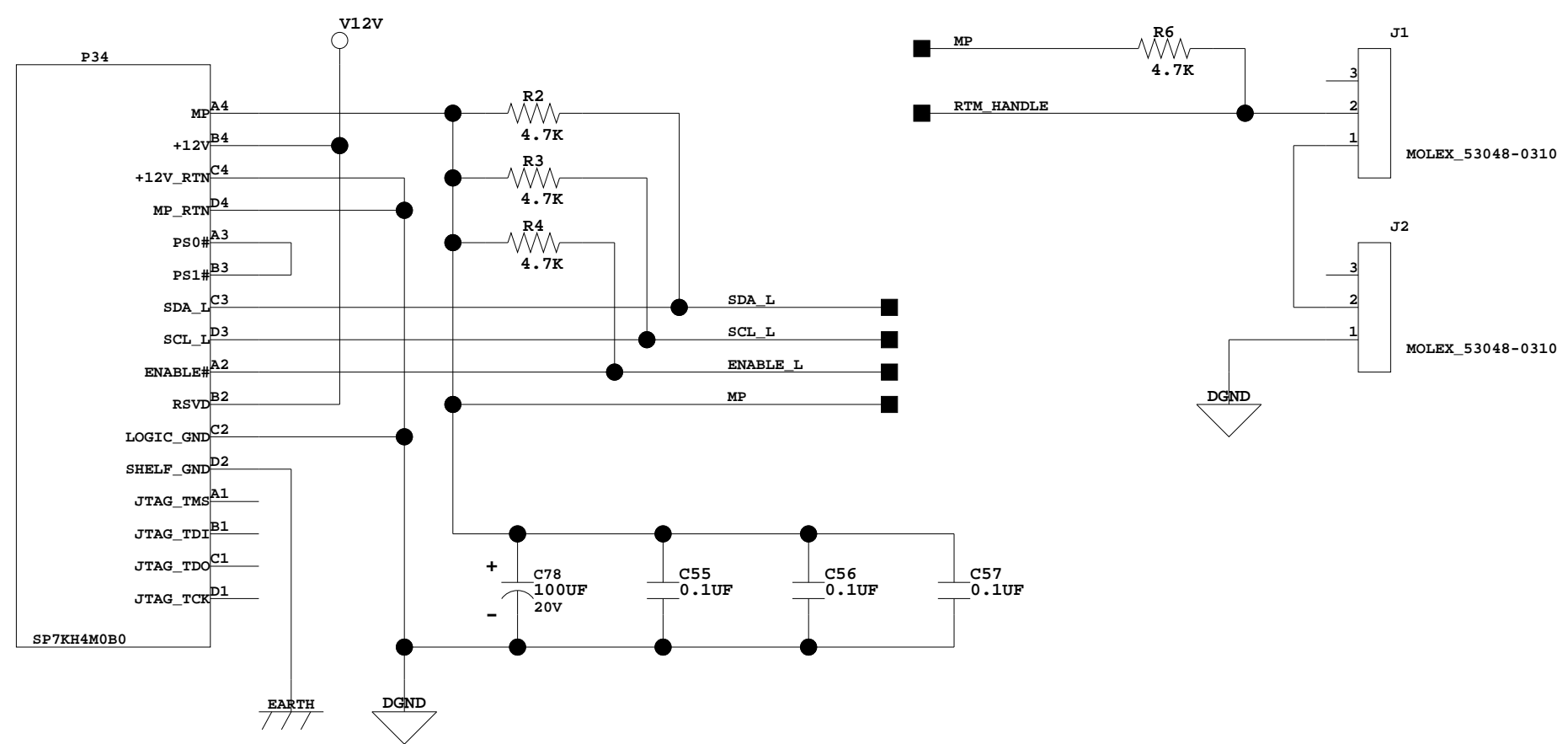


SHEET=8



SHEET=18

11-22-2010_17:04



SLAC NATIONAL ACCELERATOR LABORATORY
U.S. DEPARTMENT OF ENERGY

STANFORD UNIVERSITY STANFORD, CALIFORNIA

PROPRIETARY DATA OF STANFORD UNIVERSITY AND/OR U.S. DEPARTMENT OF ENERGY. RECIPIENT SHALL NOT PUBLISH THE INFORMATION WITHIN UNLESS GRANTED SPECIFIC PERMISSION OF STANFORD UNIVERSITY.

INGR	DATE	APPROVALS
DFR	2010	
CDR		

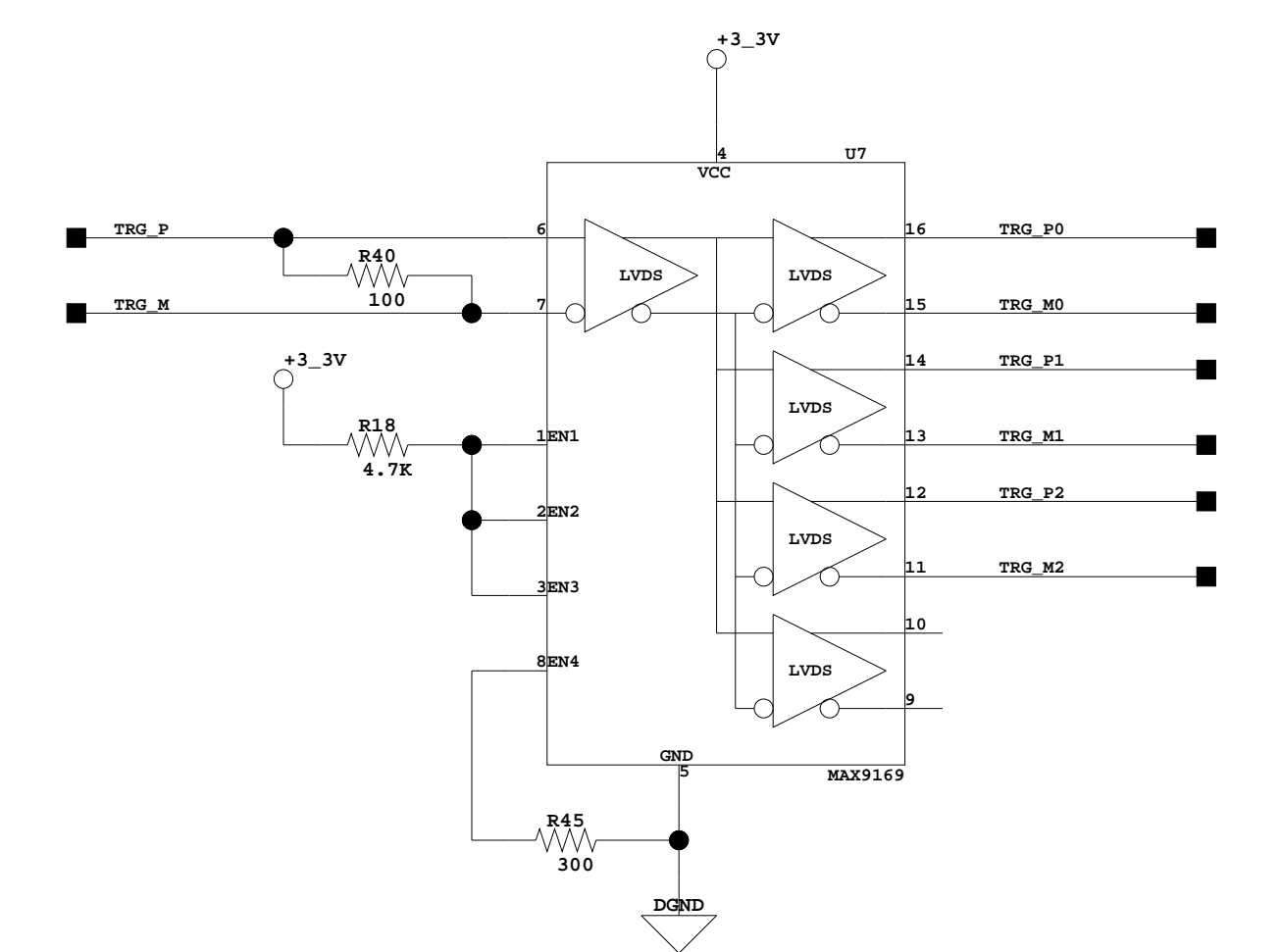
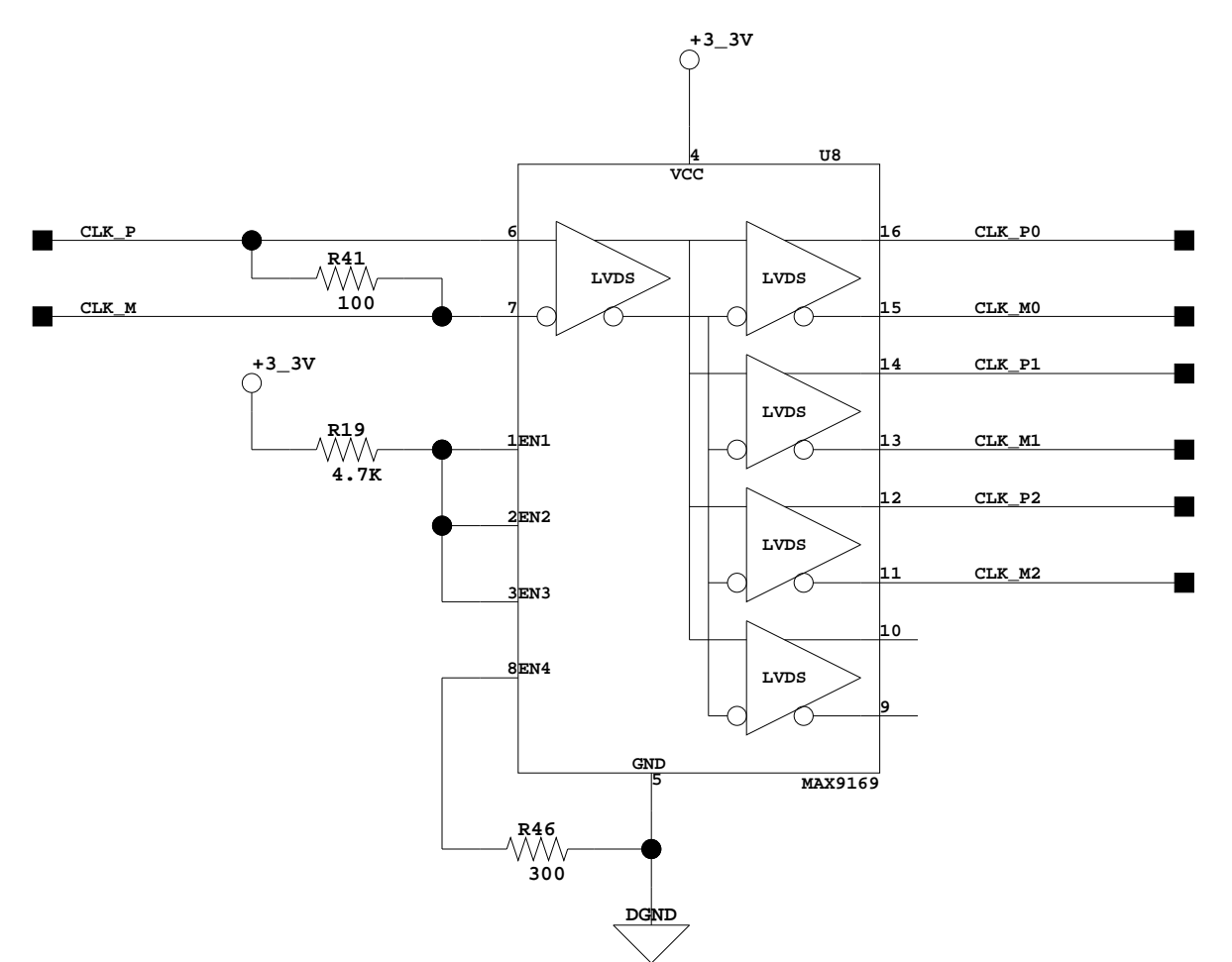
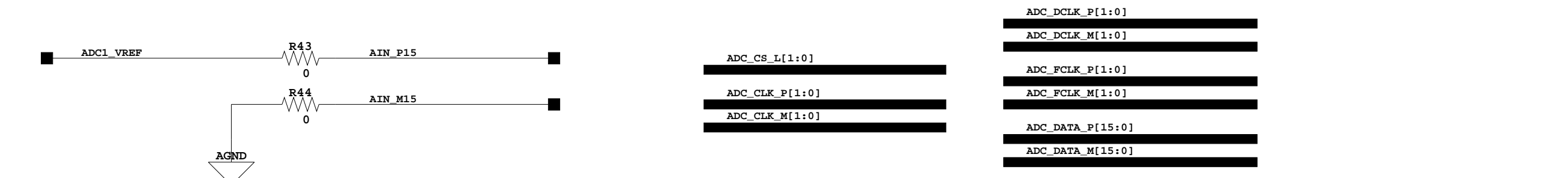
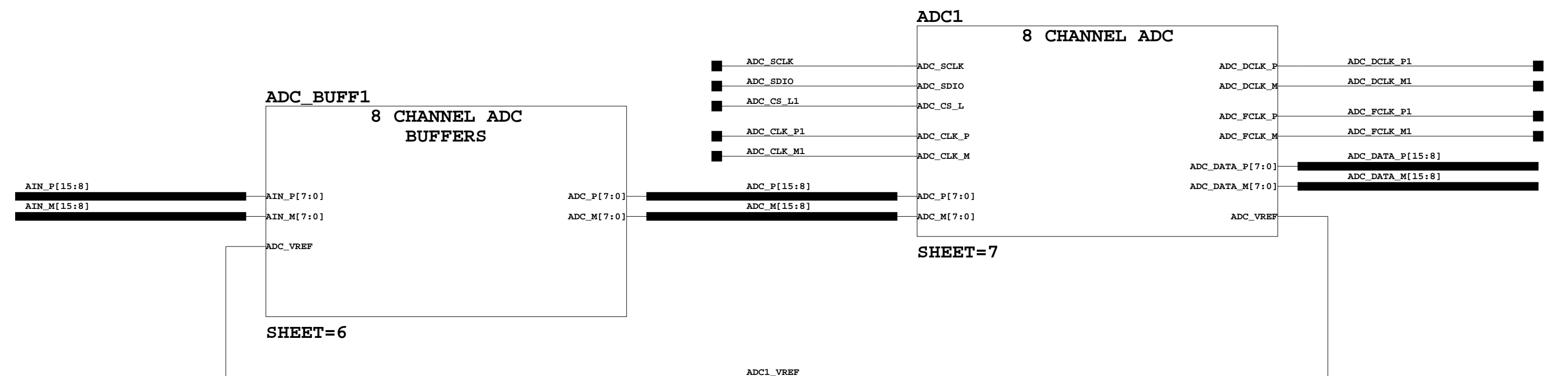
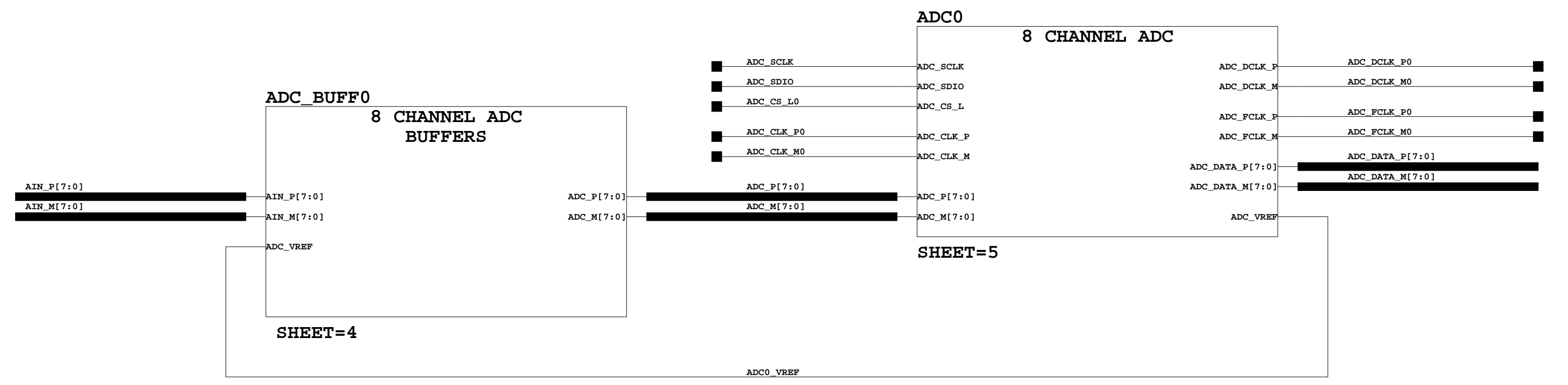
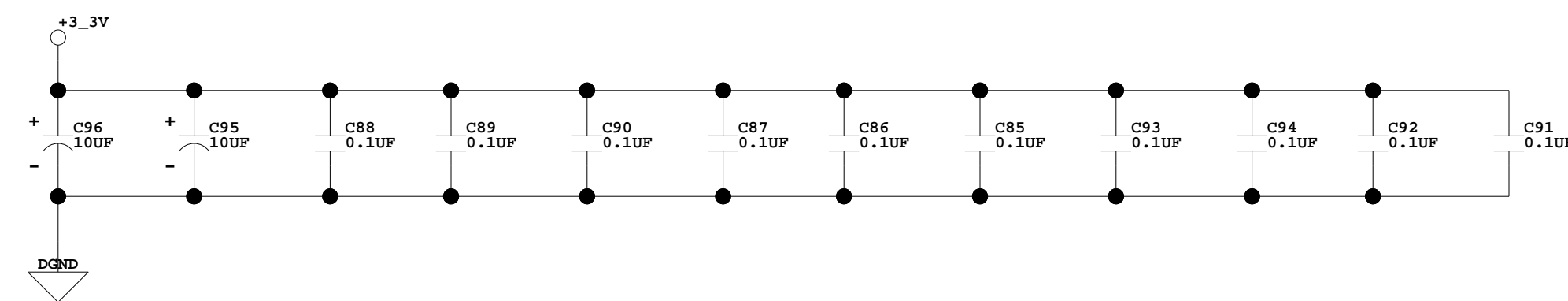
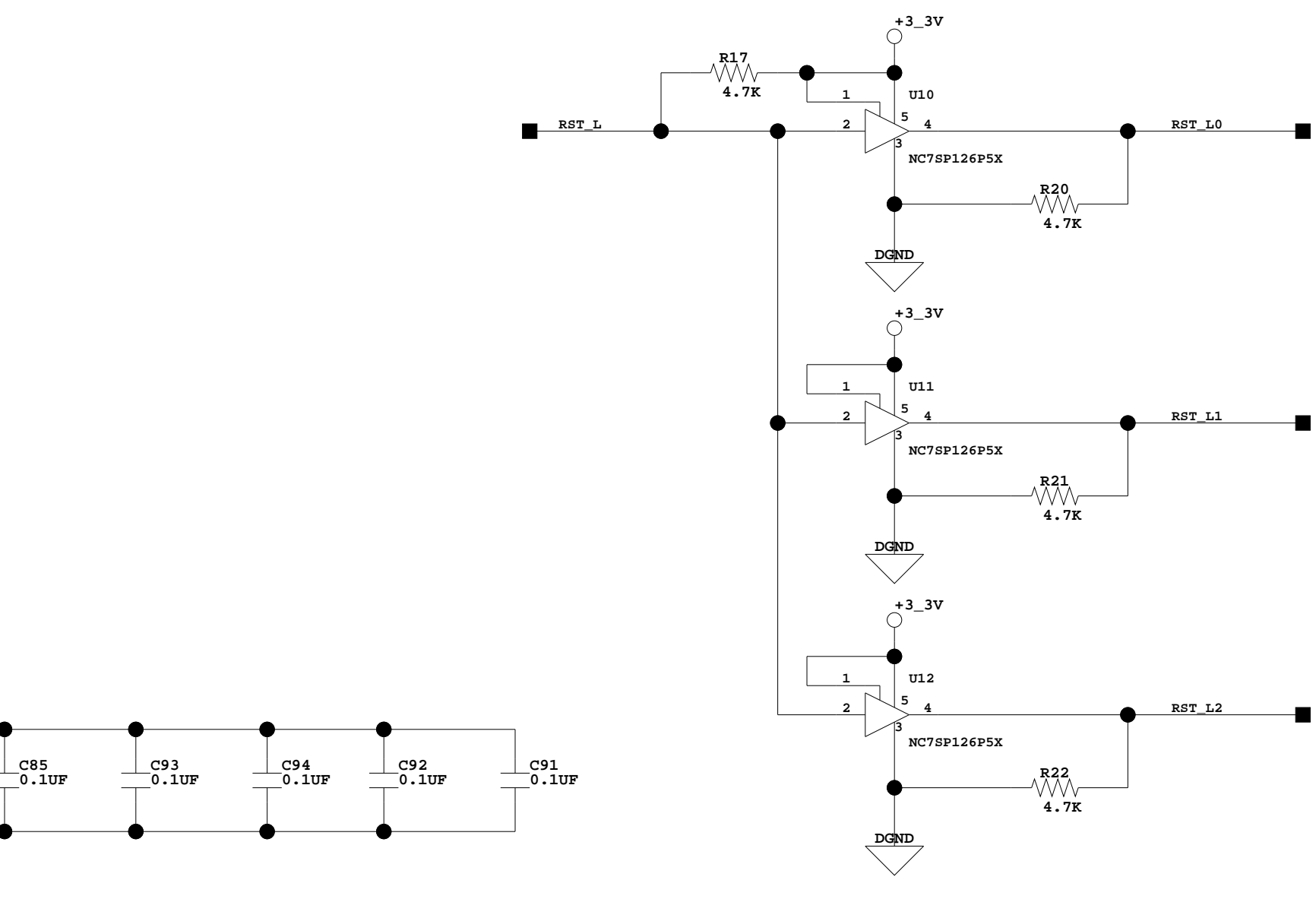
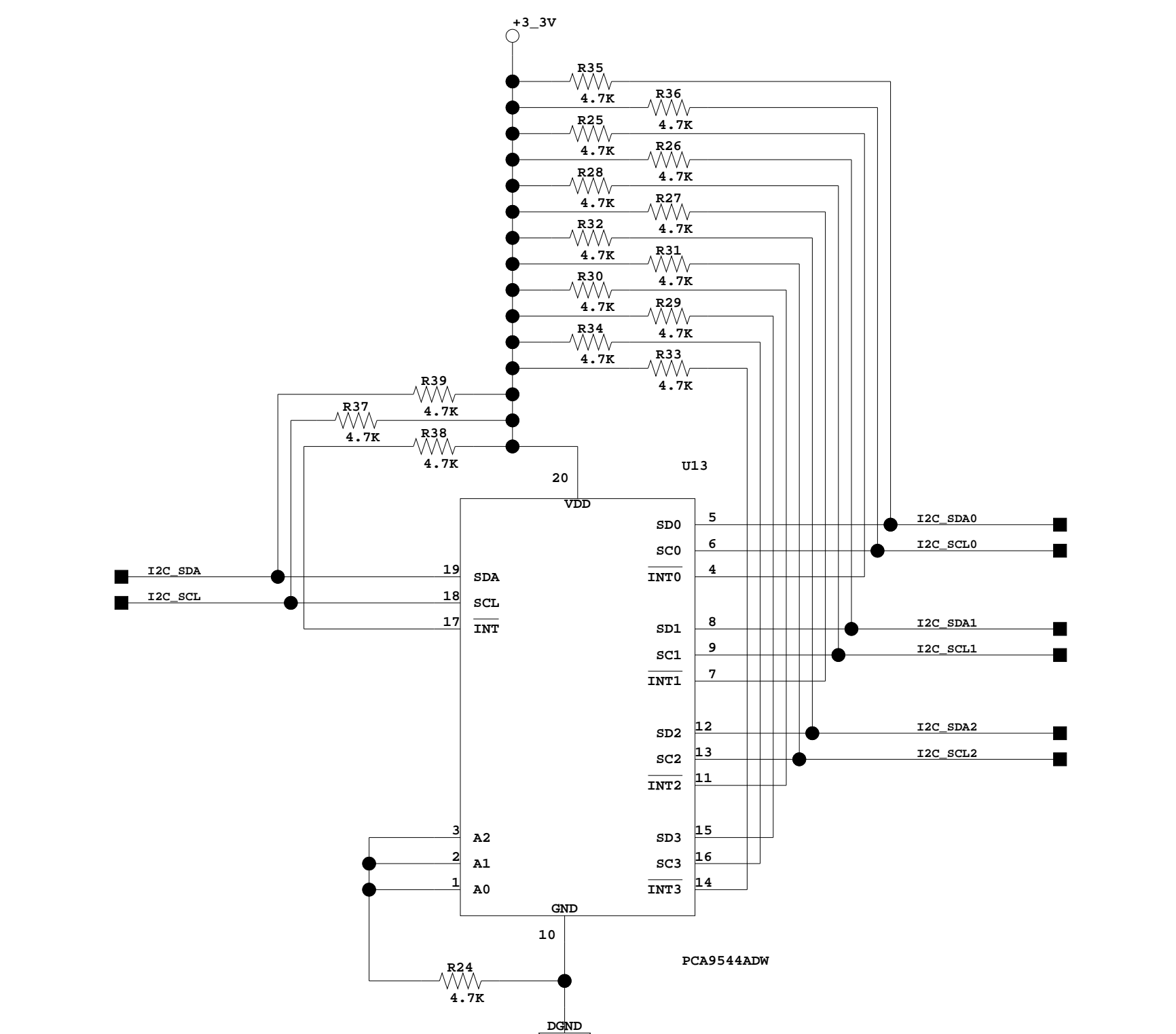
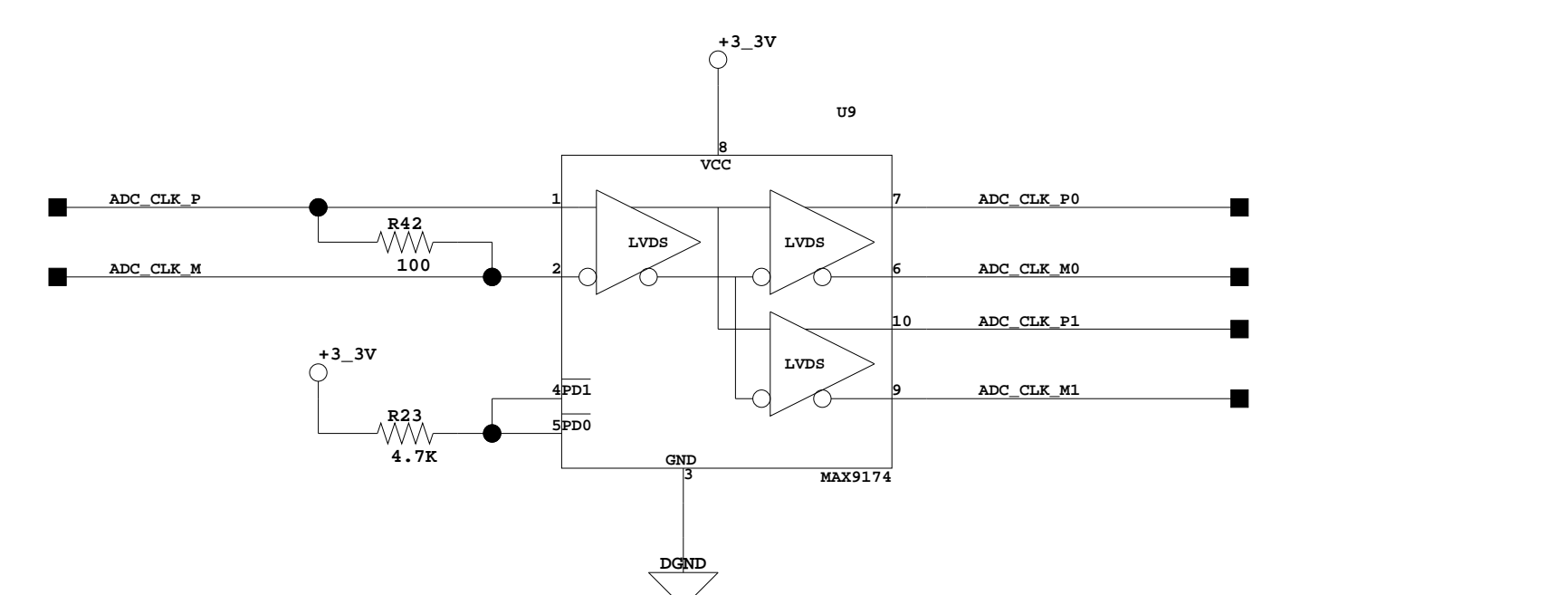
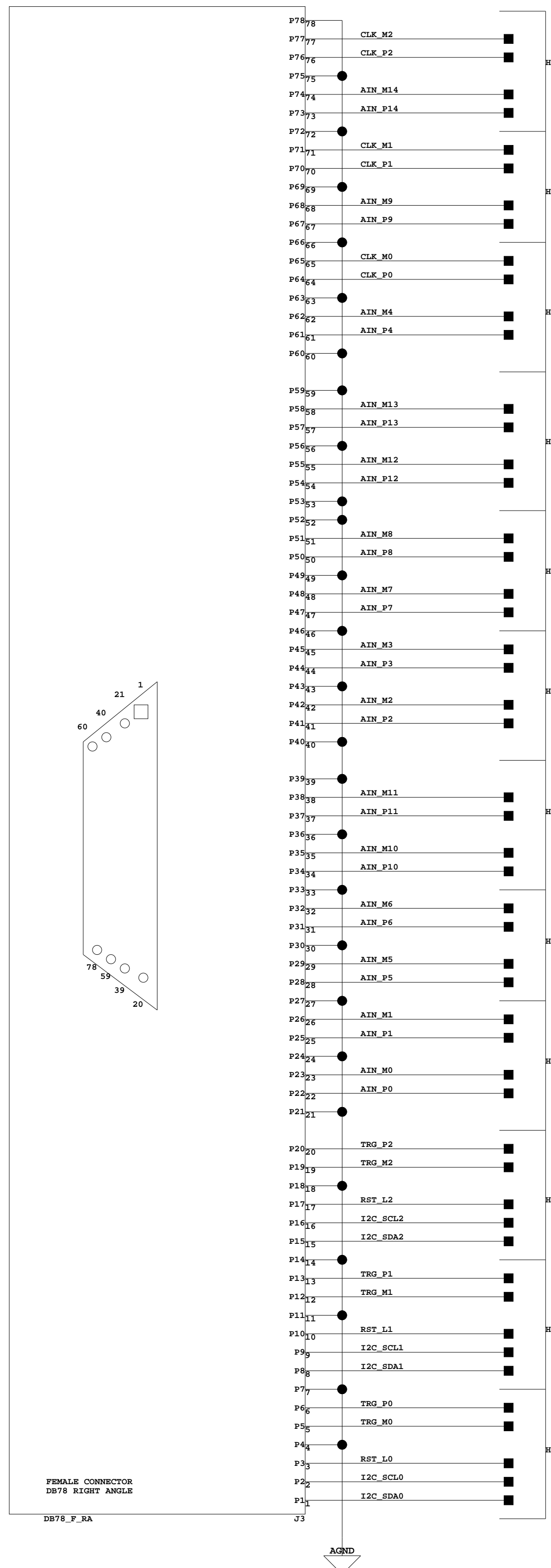
SHEET 2 OF 23

HEAVY P TRACKER RTM BOARD
POWER REGULATORS

LOCATED AT SHEET 1

SD-249-901-02-C01

11-22-2010_17:20



SLAC NATIONAL ACCELERATOR LABORATORY		
U.S. DEPARTMENT OF ENERGY		
STANFORD UNIVERSITY	STANFORD, CALIFORNIA	
PROPRIETARY DATA OF STANFORD UNIVERSITY AND/OR U.S. DEPARTMENT OF ENERGY. RECIPIENT SHALL NOT PUBLISH THE INFORMATION WITHIN UNLESS GRANTED SPECIFIC PERMISSION OF STANFORD UNIVERSITY.		
	DATE	APPROVALS

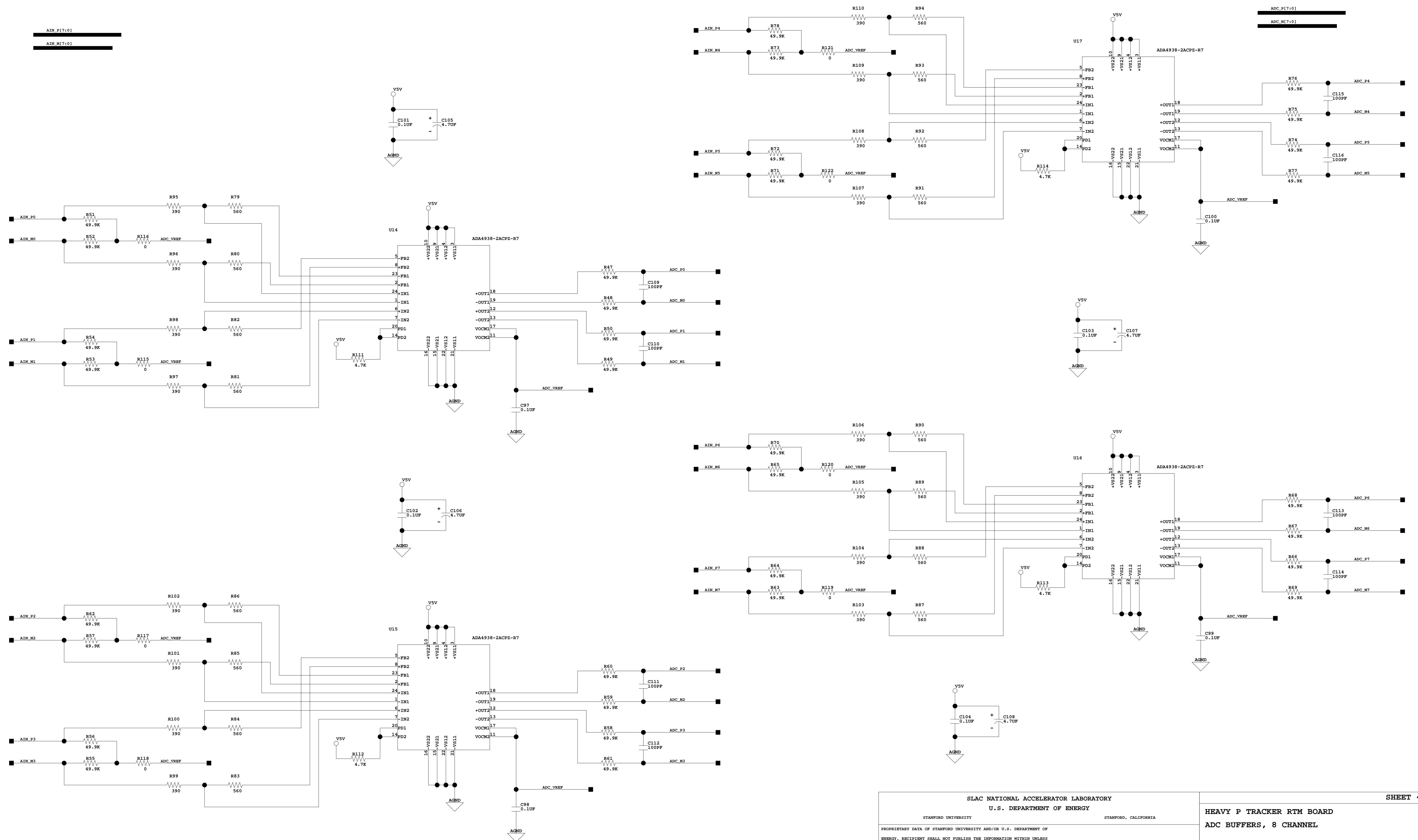
SHEET 3 OF 23

HEAVY P TRACKER RTM BOARD
APV25 CONNECTOR

LOCATED AT SHEET 1

SD-249-901-02-C01

11-22-2010_17:12



11-22-2010_17:11

SLAC NATIONAL ACCELERATOR LABORATORY U.S. DEPARTMENT OF ENERGY STANFORD UNIVERSITY STANFORD, CALIFORNIA		
PROPRIETARY DATA OF STANFORD UNIVERSITY AND/OR U.S. DEPARTMENT OF ENERGY. RECIPIENT SHALL NOT PUBLISH THE INFORMATION WITHIN UNLESS GRANTED SPECIFIC PERMISSION OF STANFORD UNIVERSITY.		
INDR	Ryan Herbst	2010
DFR		
CDR		

SHEET 4 OF 23

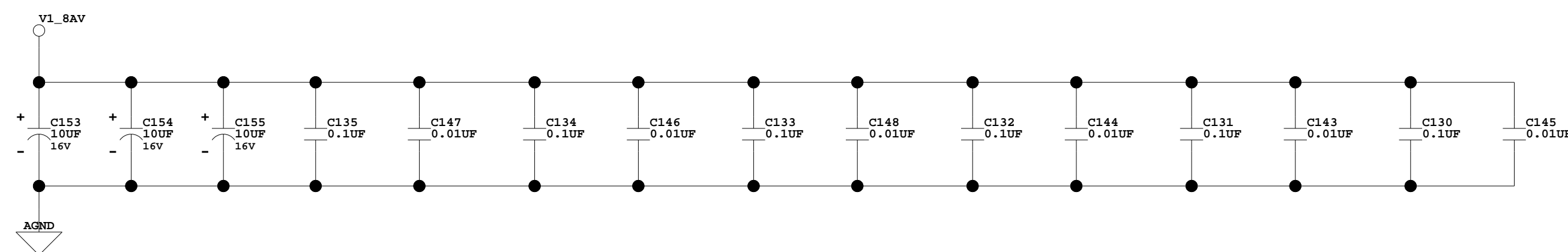
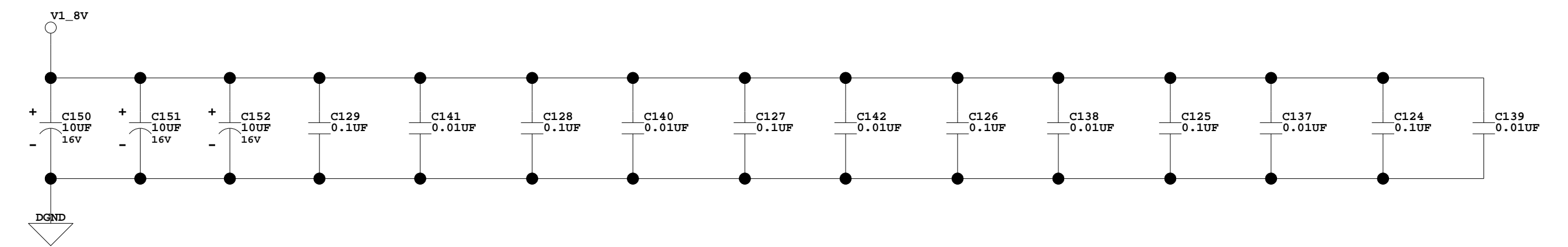
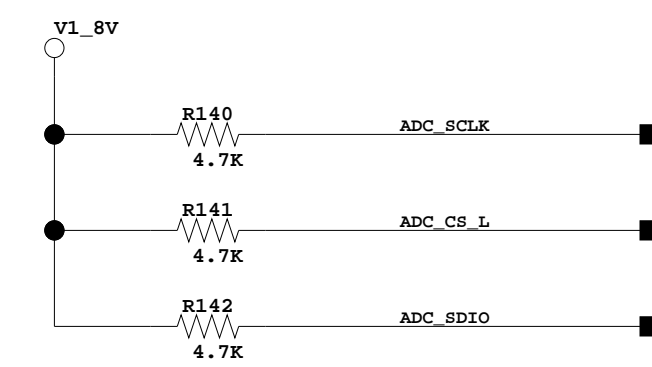
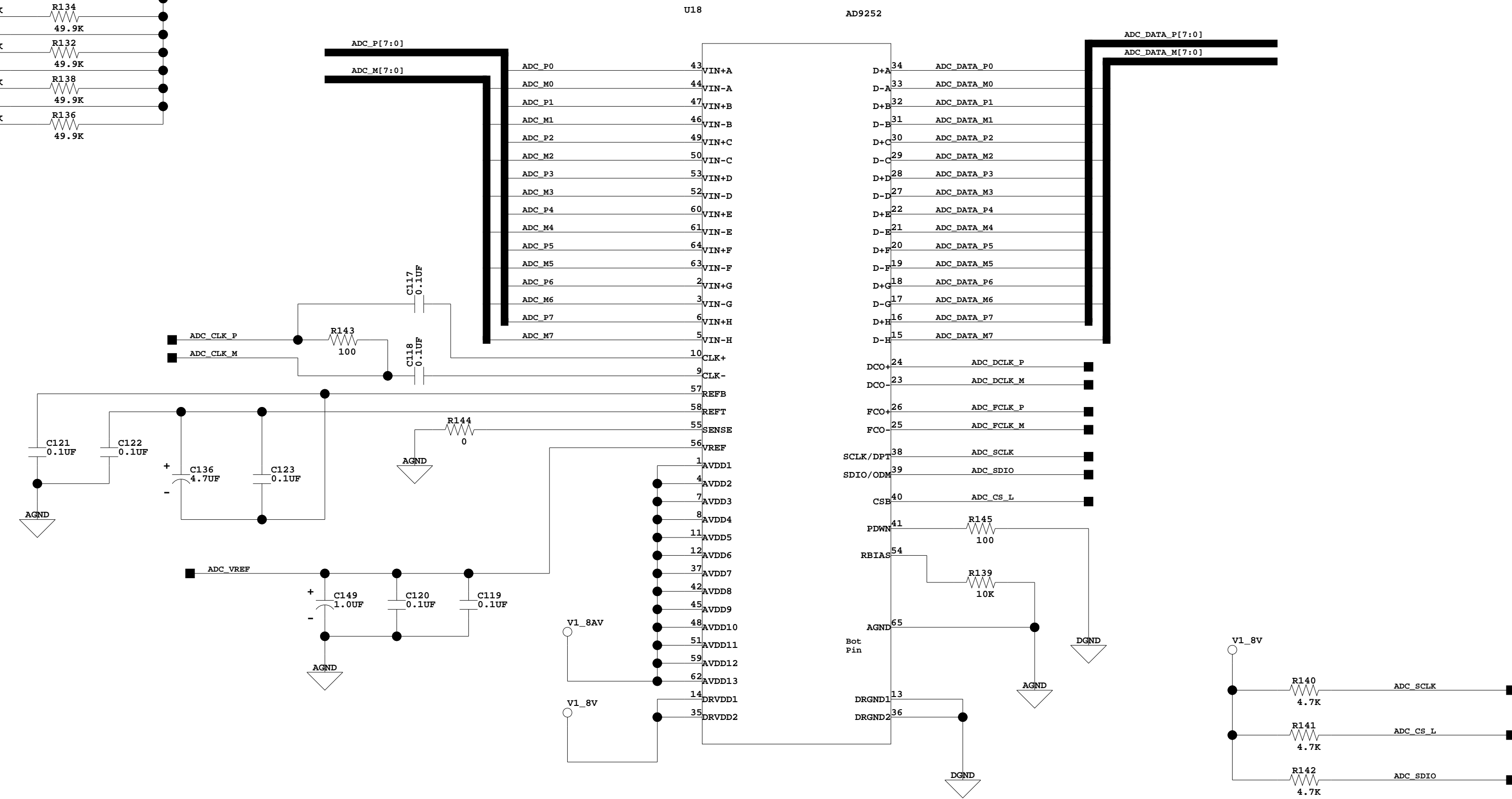
HEAVY P TRACKER RTM BOARD
ADC BUFFERS, 8 CHANNEL

LOCATED AT SHEET 3

SD-249-901-02-C01

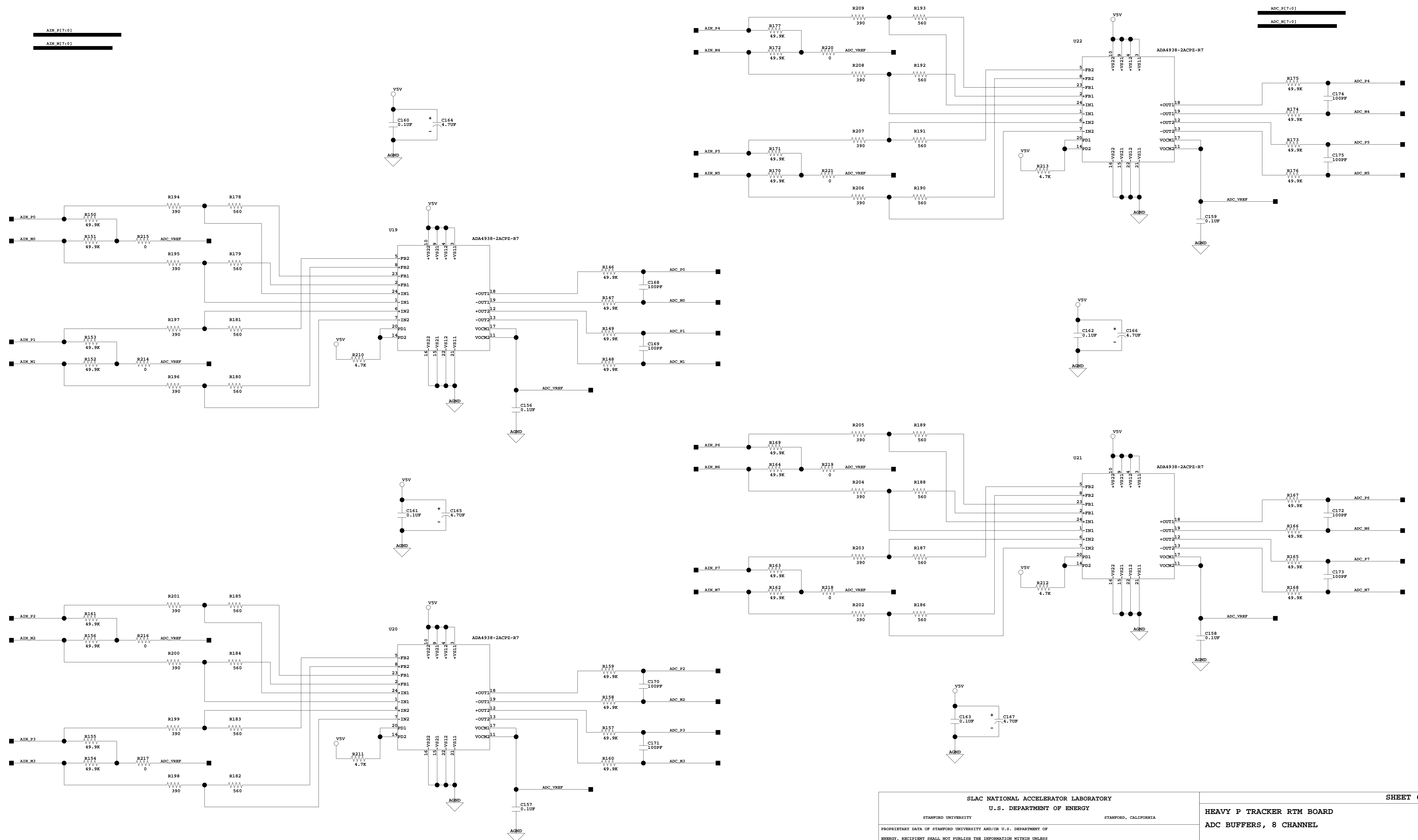
**ADC INPUT TERMINATION
PLACE NEAR ADC**

ADC_P0	R123		ADC_VREF
ADC_M0	49.9K	R124	
ADC_P1	R125	49.9K	
ADC_M1	49.9K	R126	
ADC_P2	R127	49.9K	
ADC_M2	49.9K	R128	
ADC_P3	R129	49.9K	
ADC_M3	49.9K	R130	
ADC_P4	R131	49.9K	
ADC_M4	49.9K	R132	
ADC_P5	R133	49.9K	
ADC_M5	49.9K	R134	
ADC_P6	R135	49.9K	
ADC_M6	49.9K	R136	
ADC_P7	R137	49.9K	
ADC_M7	49.9K		



11-22-2010_17:12

SLAC NATIONAL ACCELERATOR LABORATORY U.S. DEPARTMENT OF ENERGY		SHEET 5 OF 23
STANFORD UNIVERSITY STANFORD, CALIFORNIA		HEAVY P TRACKER RTM BOARD 8 CHANNEL ADC
PROPRIETARY DATA OF STANFORD UNIVERSITY AND/OR U.S. DEPARTMENT OF ENERGY. RECIPIENT SHALL NOT PUBLISH THE INFORMATION WITHIN UNLESS GRANTED SPECIFIC PERMISSION OF STANFORD UNIVERSITY.		
INGR	Ryan Herbst	DATE
DPTH		2010
CDRS		APPROVALS
LOCATED AT SHEET 3		
SD-249-901-02-C01		



11-22-2010_17:11

SLAC NATIONAL ACCELERATOR LABORATORY U.S. DEPARTMENT OF ENERGY		STANFORD, CALIFORNIA	
PROPRIETARY DATA OF STANFORD UNIVERSITY AND/OR U.S. DEPARTMENT OF ENERGY. RECIPIENT SHALL NOT PUBLISH THE INFORMATION WITHIN UNLESS GRANTED SPECIFIC PERMISSION OF STANFORD UNIVERSITY.		DATE	APPROVALS
INDR	Ryan Herbat	2010	
DFR			
CDR			

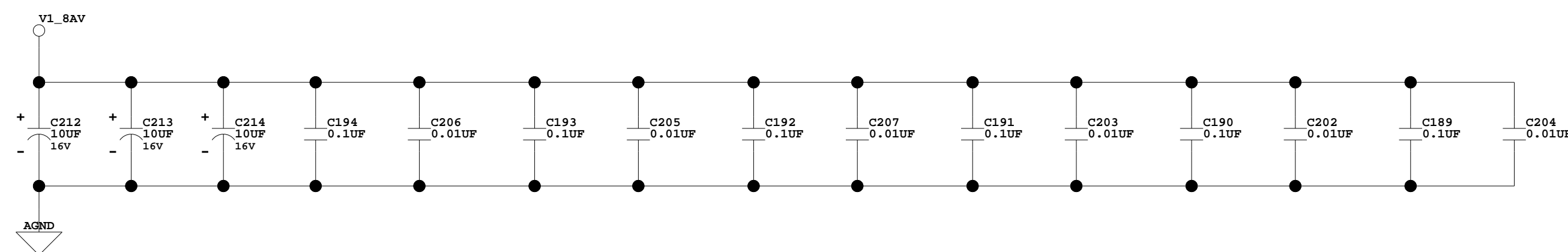
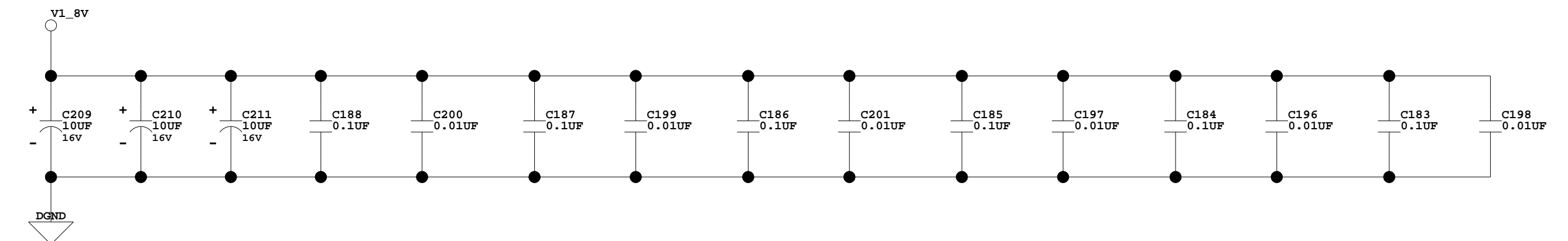
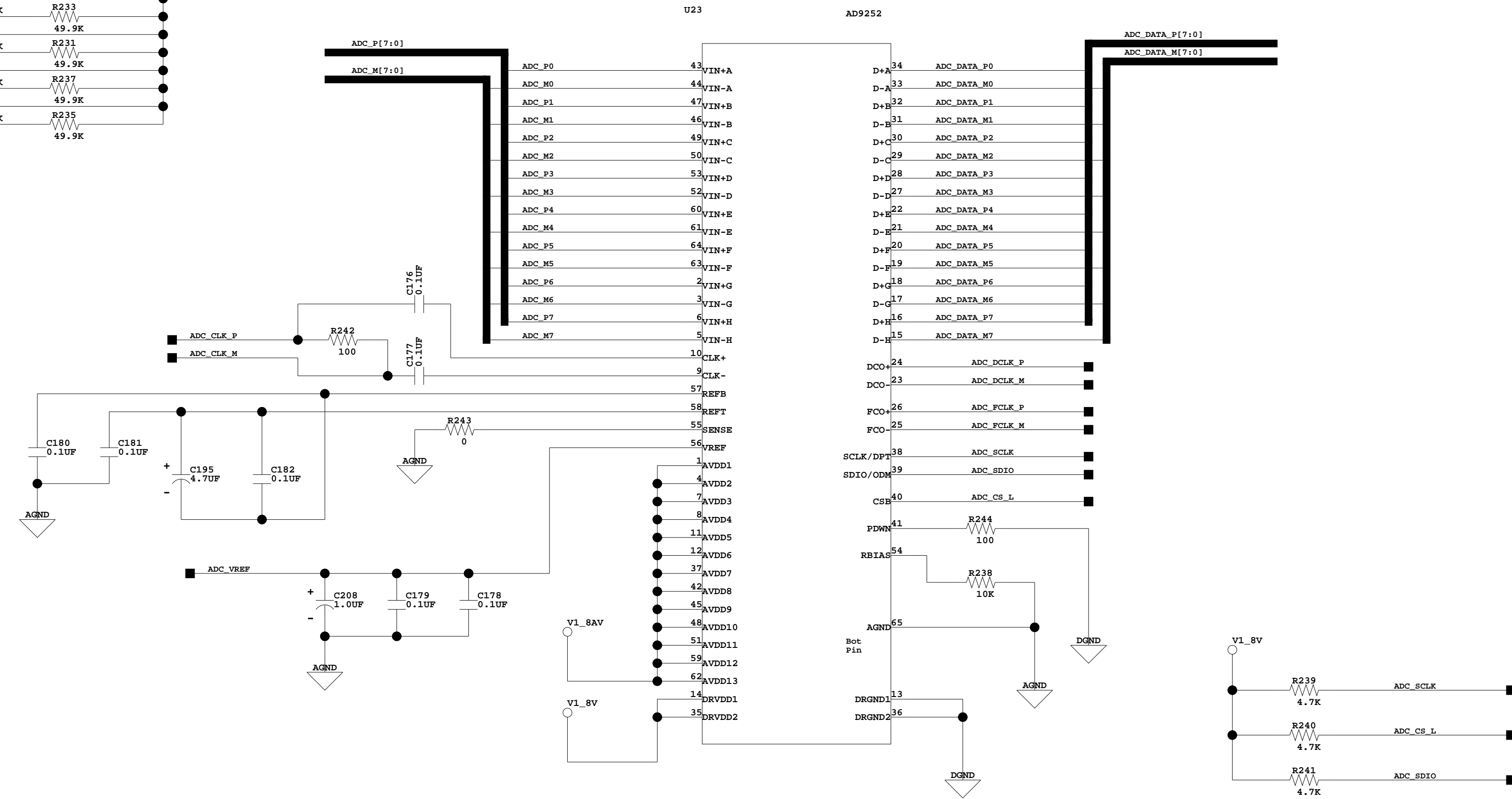
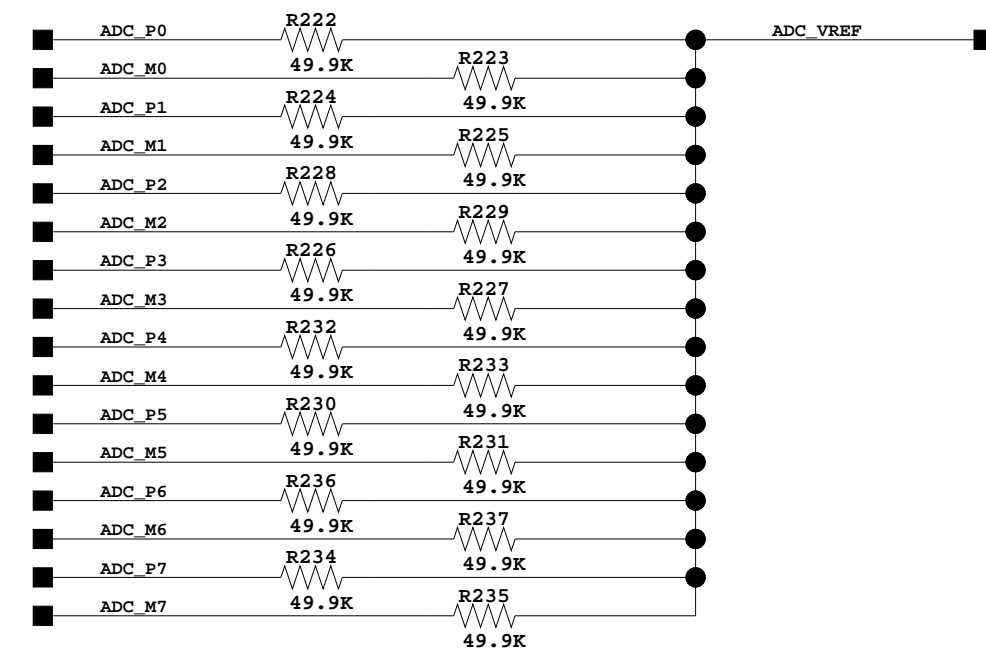
SHEET 6 OF 23

HEAVY P TRACKER RTM BOARD
ADC BUFFERS, 8 CHANNEL

LOCATED AT SHEET 3

SD-249-901-02-C01

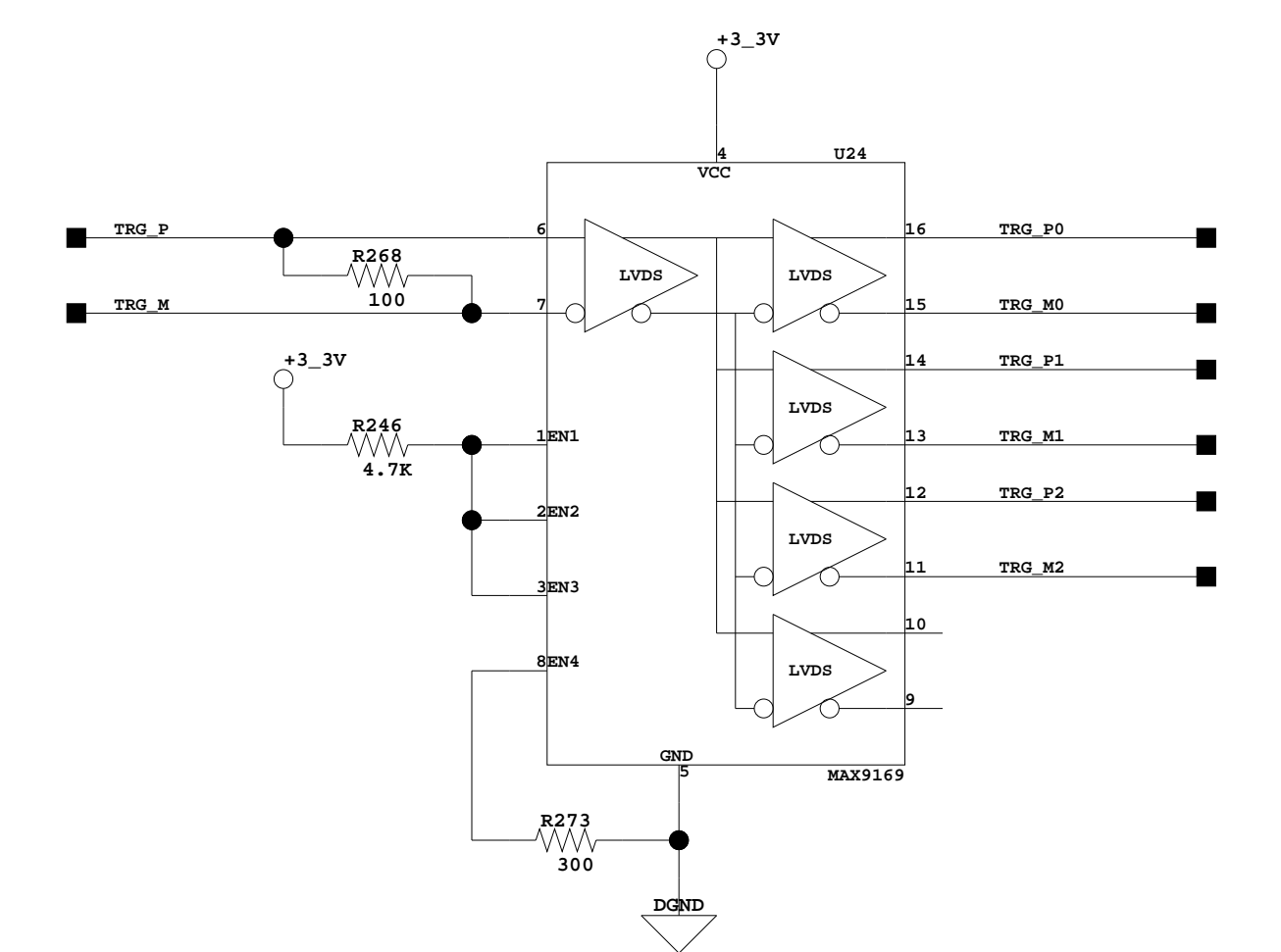
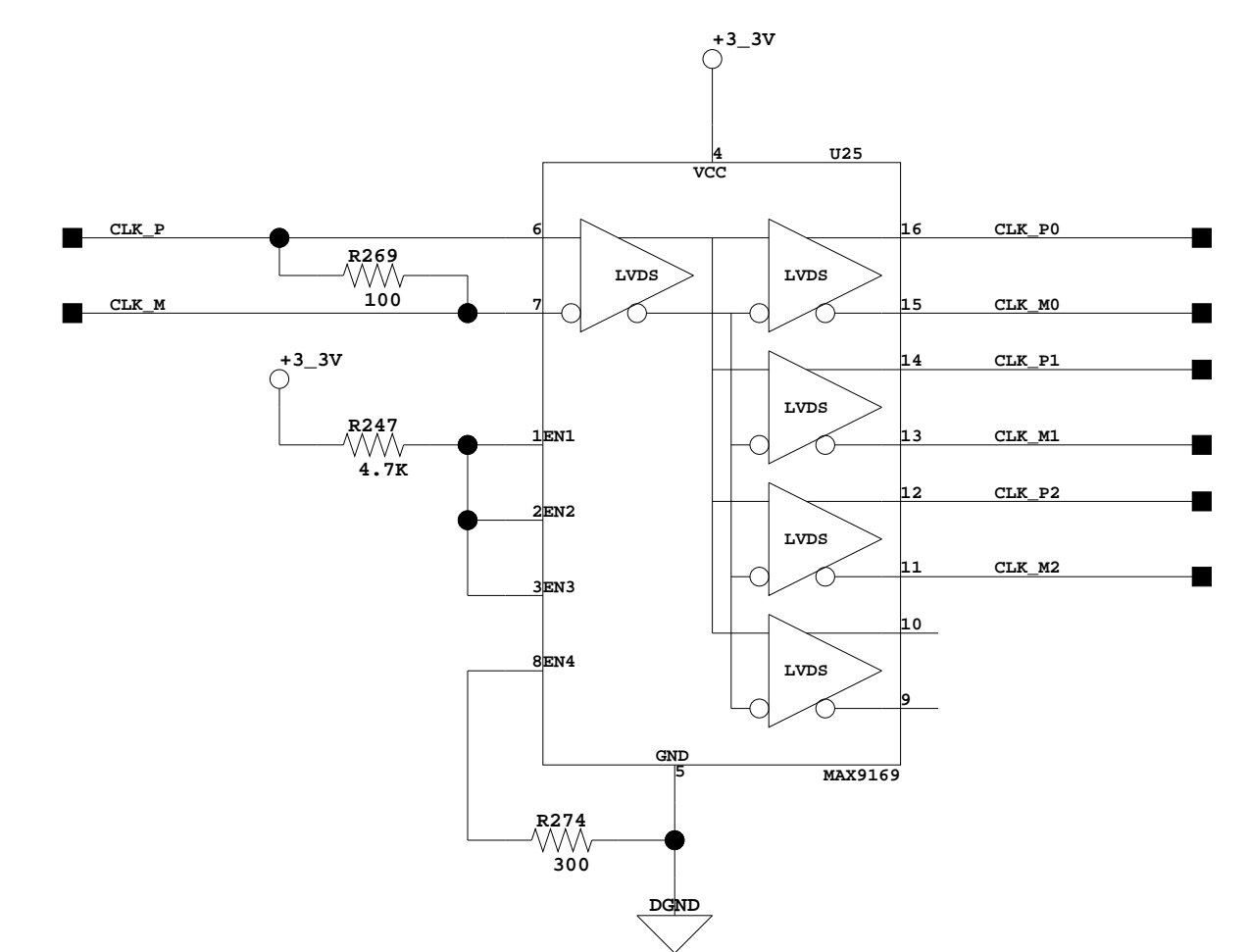
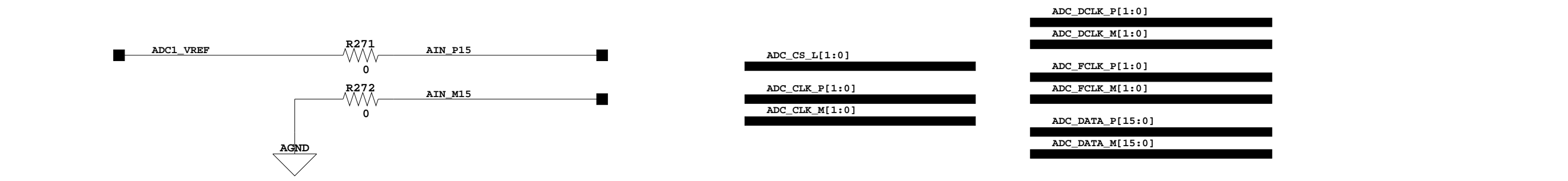
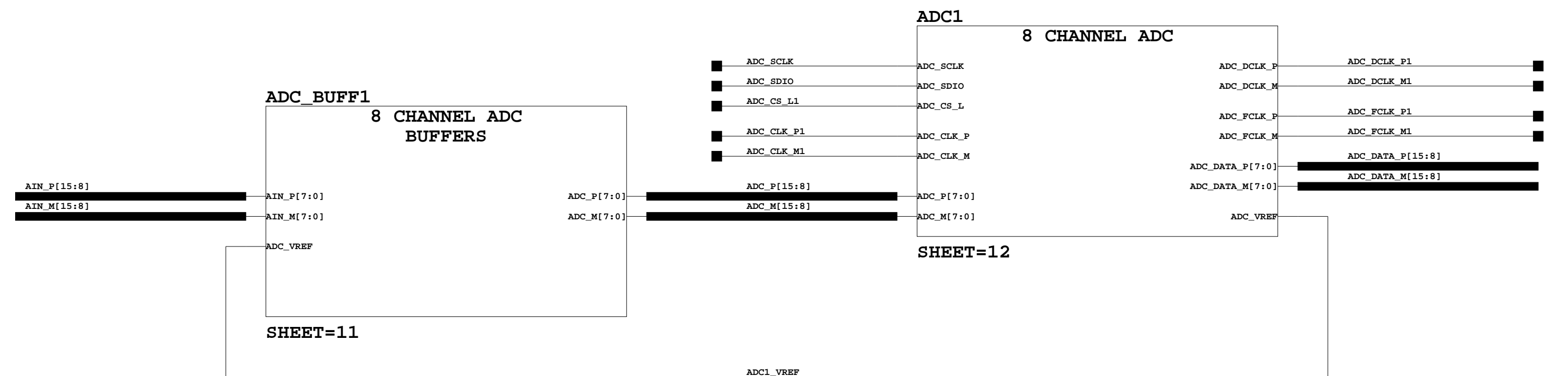
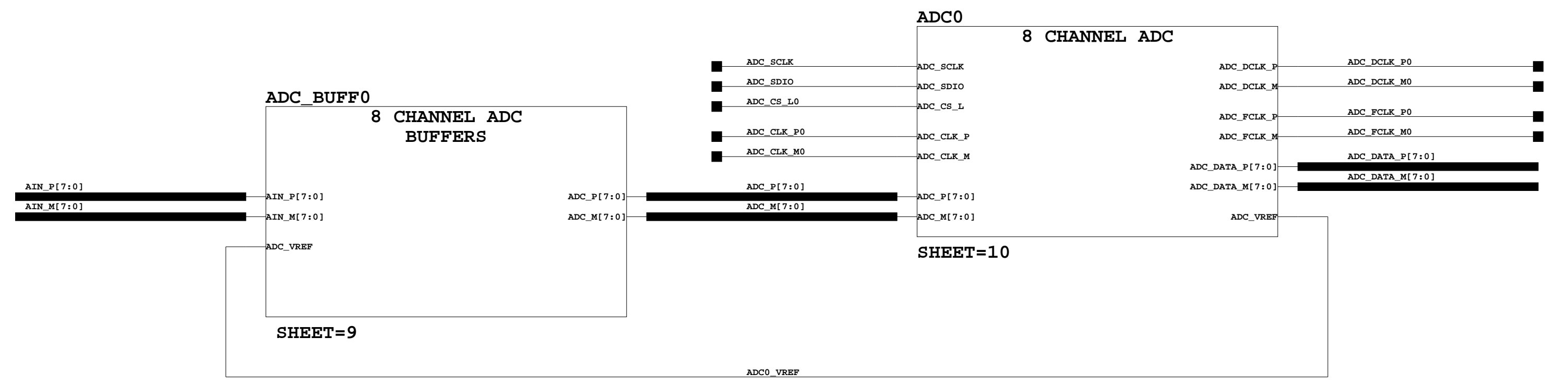
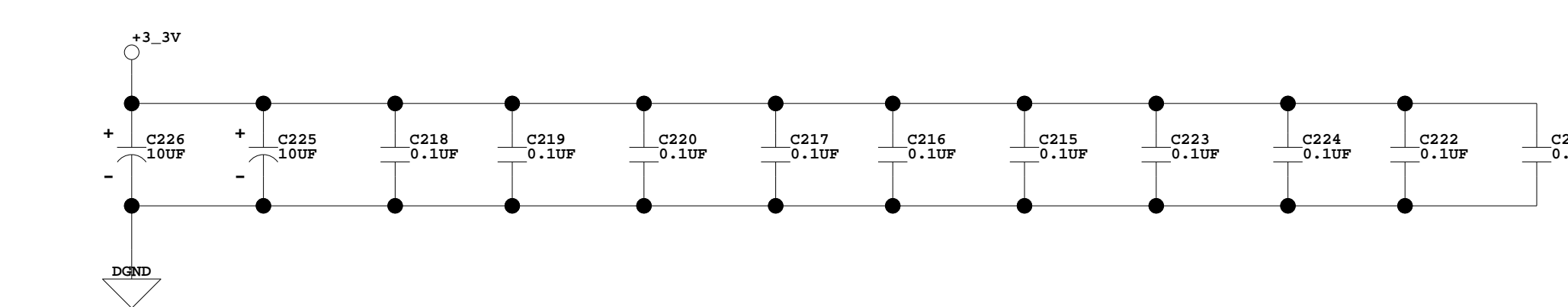
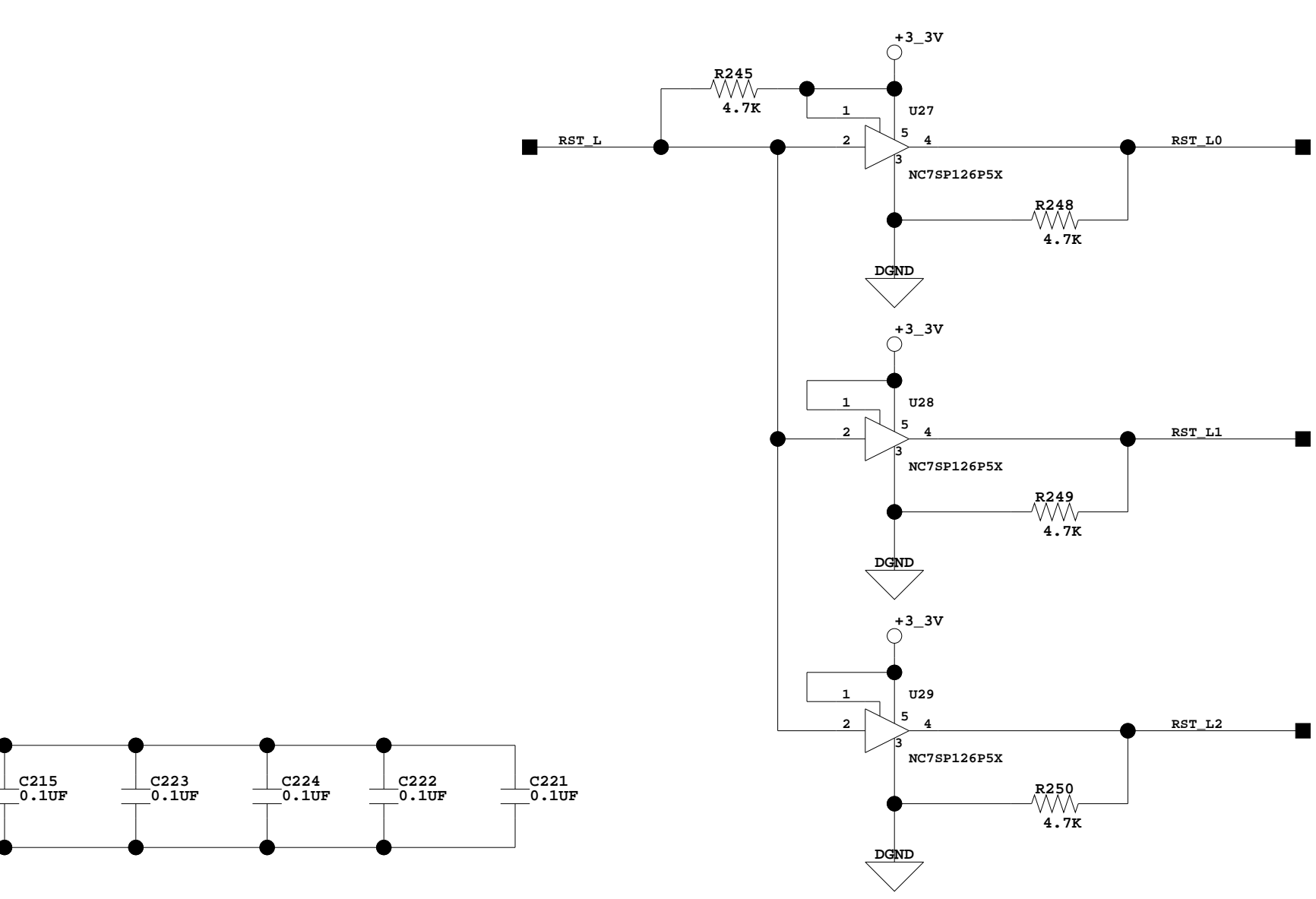
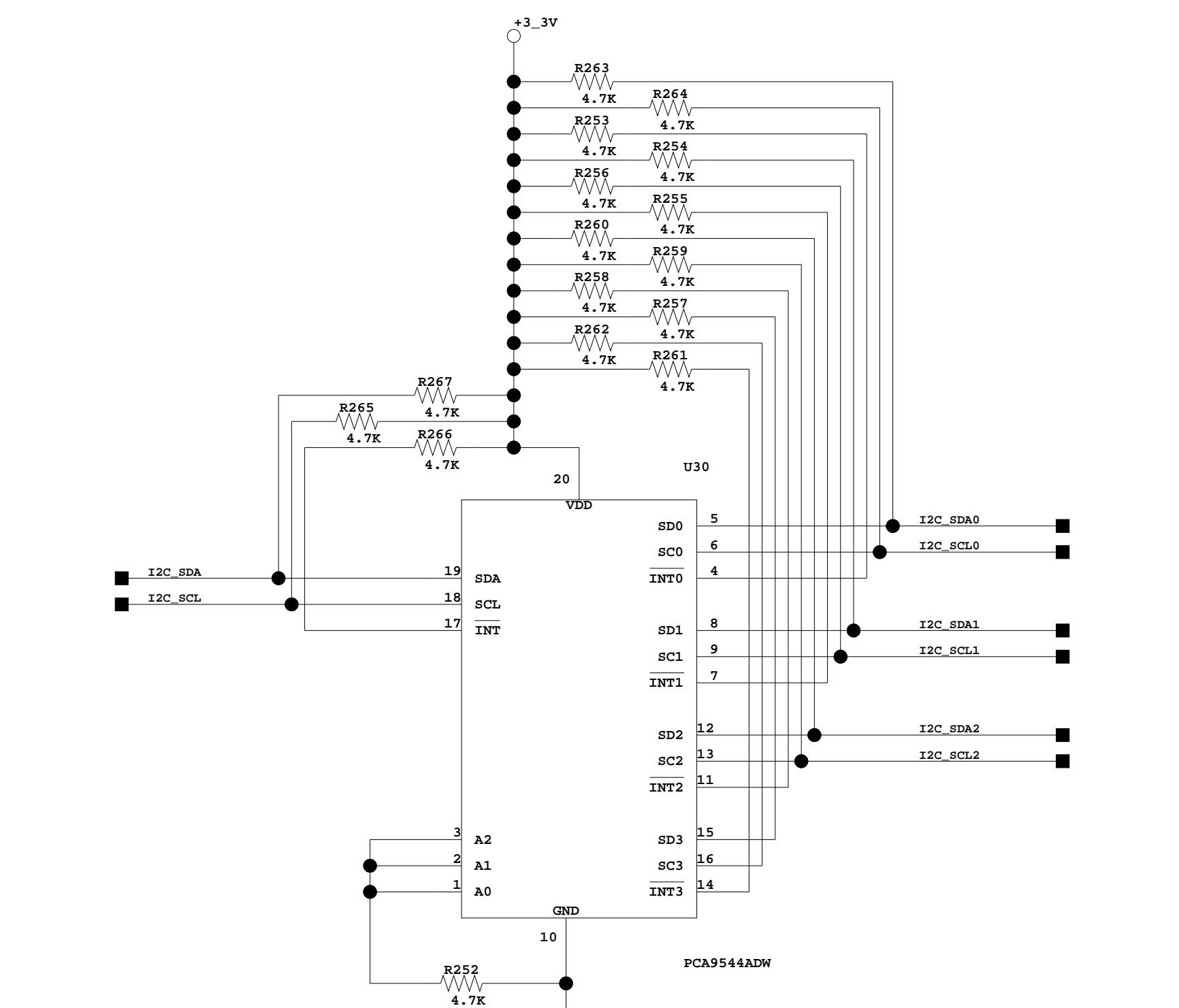
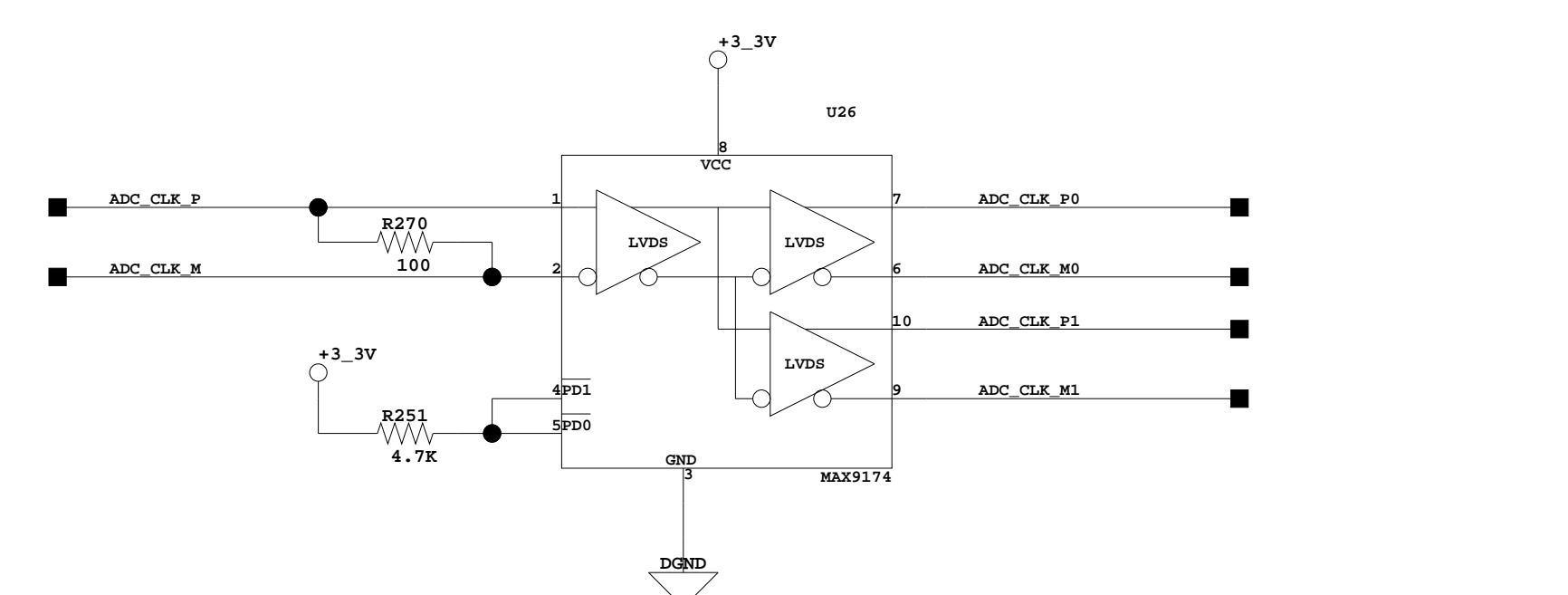
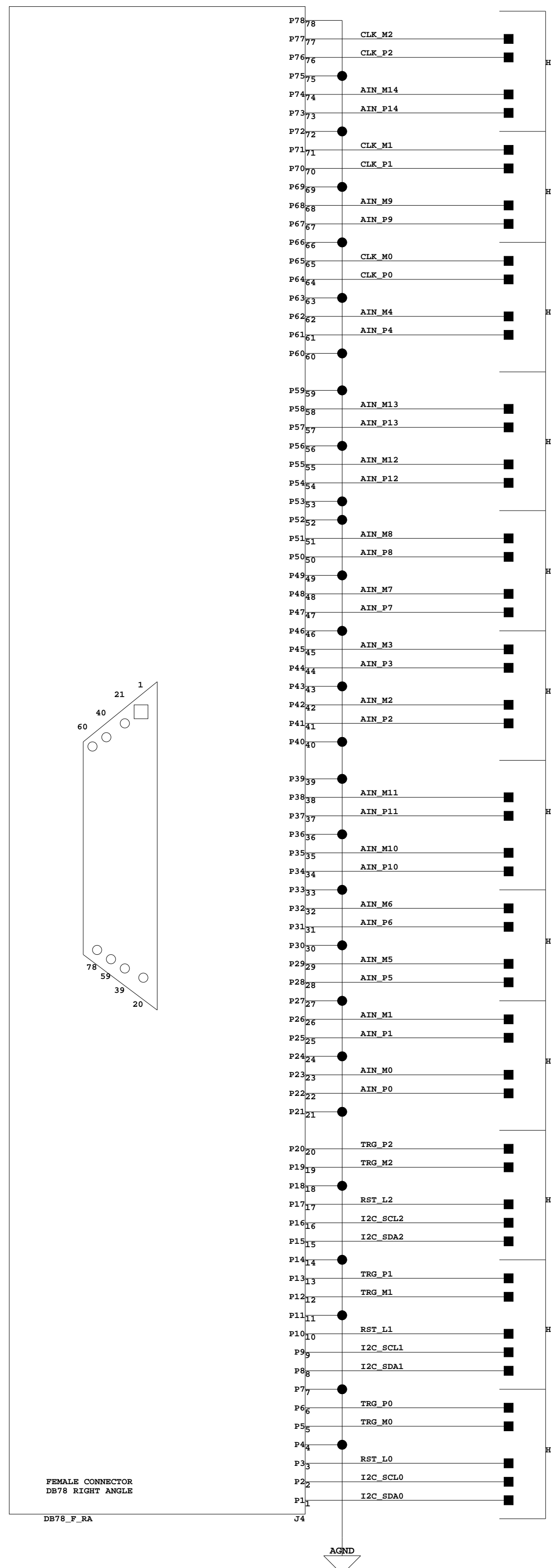
ADC INPUT TERMINATION
PLACE NEAR ADC



11-22-2010_17:12

SLAC NATIONAL ACCELERATOR LABORATORY U.S. DEPARTMENT OF ENERGY		
STANFORD UNIVERSITY	STANFORD, CALIFORNIA	
PROPRIETARY DATA OF STANFORD UNIVERSITY AND/OR U.S. DEPARTMENT OF ENERGY. RECIPIENT SHALL NOT PUBLISH THE INFORMATION WITHIN UNLESS GRANTED SPECIFIC PERMISSION OF STANFORD UNIVERSITY.		
INGR	Ryan Herbst	2010
DPTH		
CMR		

SHEET 7 OF 23
HEAVY P TRACKER RTM BOARD 8 CHANNEL ADC
LOCATED AT SHEET 3
SD-249-901-02-C01



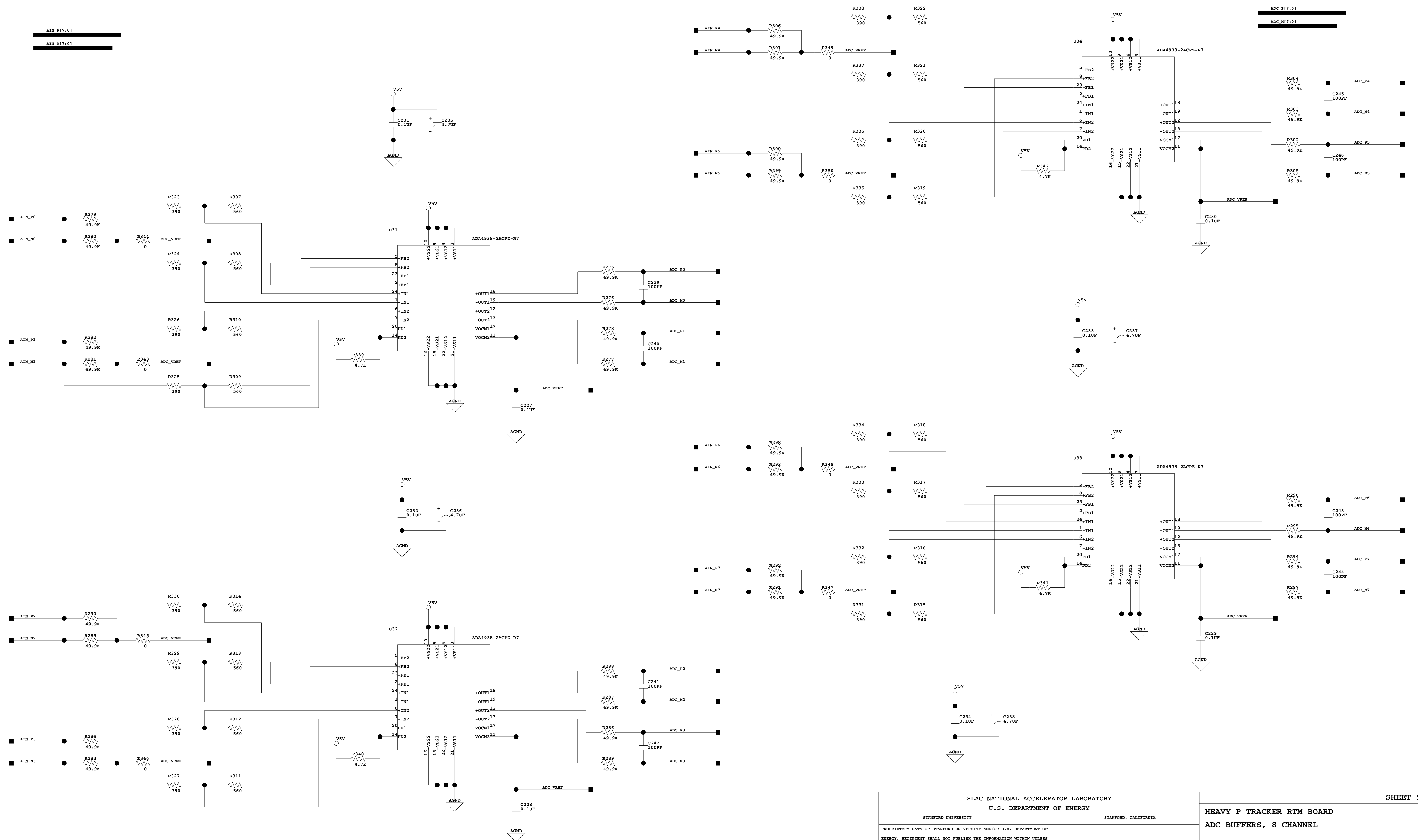
SLAC NATIONAL ACCELERATOR LABORATORY		STANFORD UNIVERSITY	
U.S. DEPARTMENT OF ENERGY		STANFORD, CALIFORNIA	
PROPRIETARY DATA OF STANFORD UNIVERSITY AND/OR U.S. DEPARTMENT OF ENERGY. RECIPIENT SHALL NOT PUBLISH THE INFORMATION WITHIN UNLESS GRANTED SPECIFIC PERMISSION OF STANFORD UNIVERSITY.			
DATE	APPROVALS		
02/10	Ryan Herbst		
02/10			
02/10			

SHEET 8 OF 23

HEAVY P TRACKER RTM BOARD
APV25 CONNECTOR

LOCATED AT SHEET 1

SD-249-901-02-C01



11-22-2010_17:11

SLAC NATIONAL ACCELERATOR LABORATORY U.S. DEPARTMENT OF ENERGY	
STANFORD UNIVERSITY	STANFORD, CALIFORNIA
PROPRIETARY DATA OF STANFORD UNIVERSITY AND/OR U.S. DEPARTMENT OF ENERGY. RECIPIENT SHALL NOT PUBLISH THE INFORMATION WITHIN UNLESS GRANTED SPECIFIC PERMISSION OF STANFORD UNIVERSITY.	
INCR	DATE
DFR	APPROVALS
CDR	

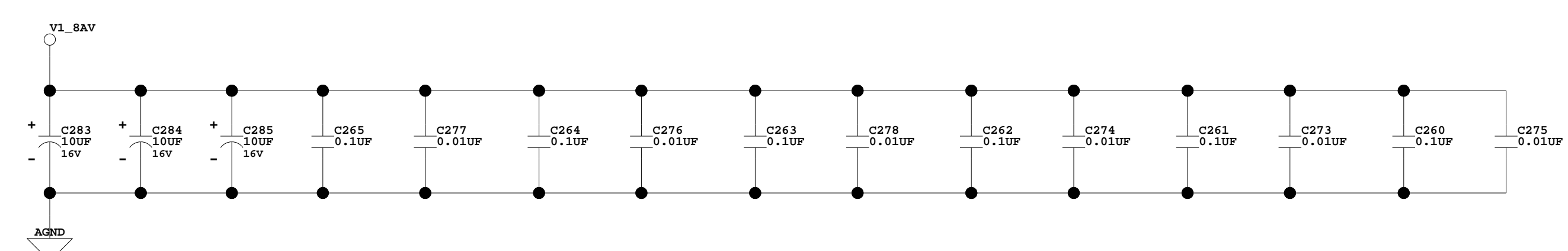
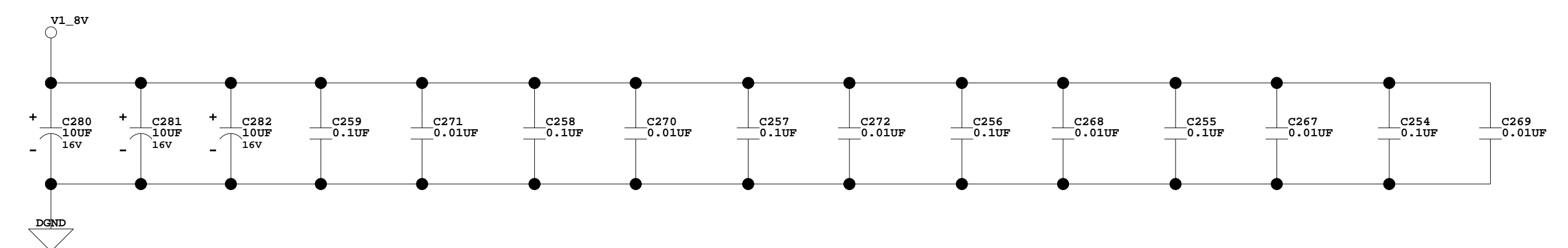
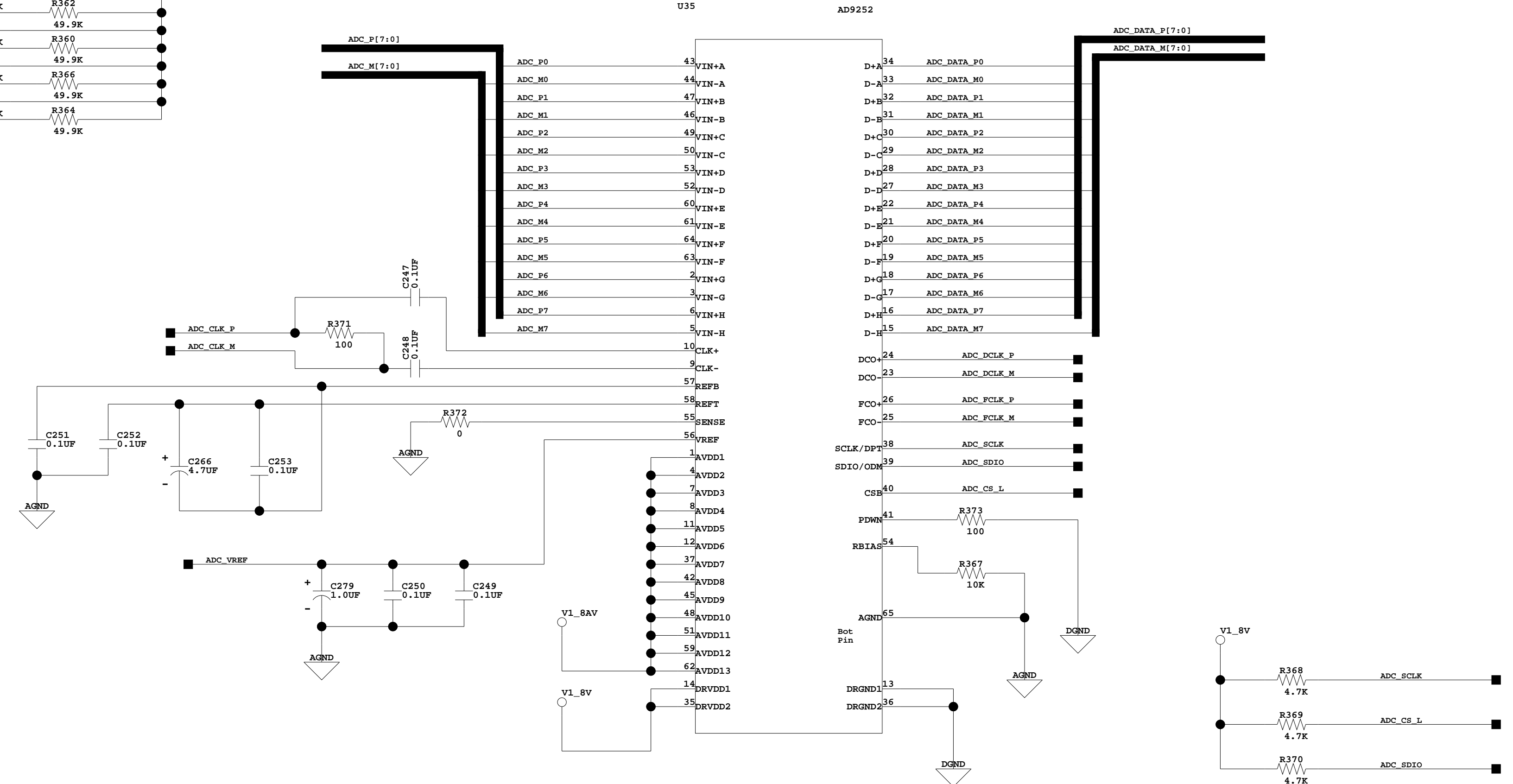
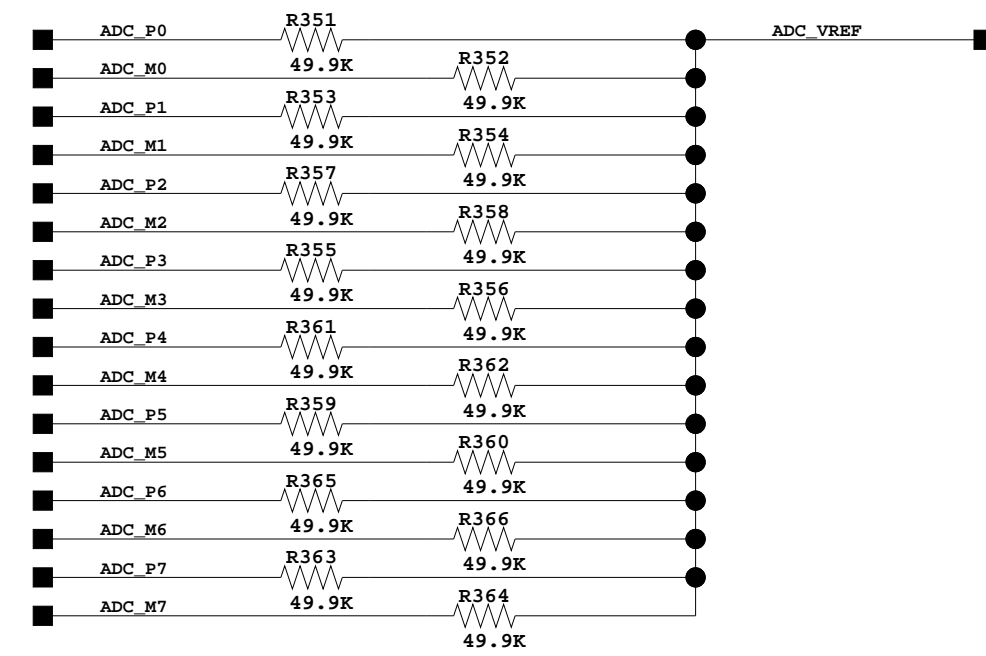
SHEET 9 OF 23

HEAVY P TRACKER RTM BOARD
ADC BUFFERS, 8 CHANNEL

LOCATED AT SHEET 8

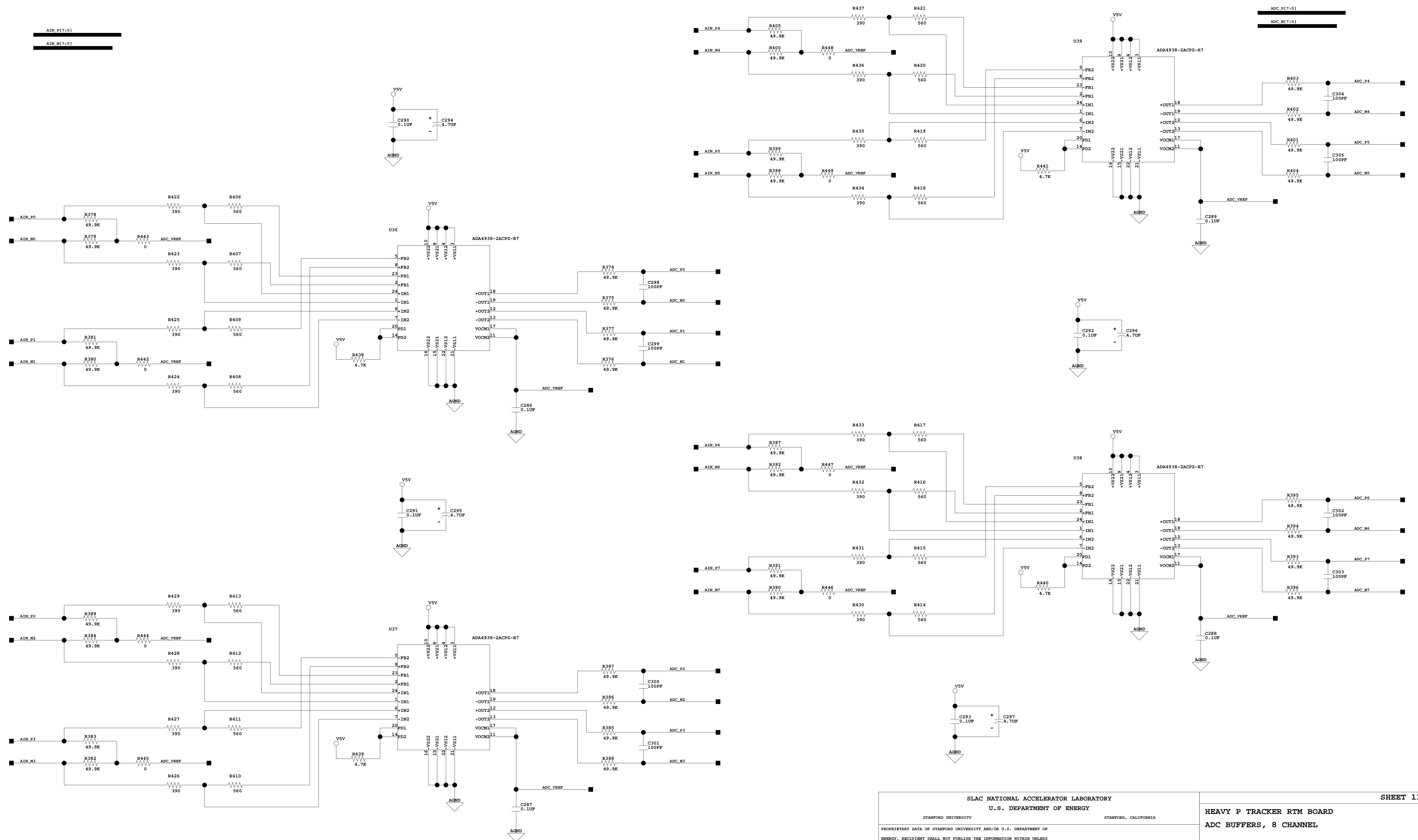
SD-249-901-02-C01

**ADC INPUT TERMINATION
PLACE NEAR ADC**



11-22-2010_17:12

SLAC NATIONAL ACCELERATOR LABORATORY U.S. DEPARTMENT OF ENERGY		SHEET 10 OF 23
STANFORD UNIVERSITY STANFORD, CALIFORNIA		HEAVY P TRACKER RTM BOARD 8 CHANNEL ADC
PROPRIETARY DATA OF STANFORD UNIVERSITY AND/OR U.S. DEPARTMENT OF ENERGY. RECIPIENT SHALL NOT PUBLISH THE INFORMATION WITHIN UNLESS GRANTED SPECIFIC PERMISSION OF STANFORD UNIVERSITY.		
INGR	Ryan Herbat	DATE
DPTH		APPROVALS
CDRS		LOCATED AT SHEET 8
		SD-249-901-02-C01



11-22-2010_17:11

SLAC NATIONAL ACCELERATOR LABORATORY U.S. DEPARTMENT OF ENERGY	
STANFORD UNIVERSITY	STANFORD, CALIFORNIA
PROPRIETARY DATA OF STANFORD UNIVERSITY AND/OR U.S. DEPARTMENT OF ENERGY. RECIPIENT SHALL NOT PUBLISH THE INFORMATION WITHIN UNLESS GRANTED SPECIFIC PERMISSION OF STANFORD UNIVERSITY.	
INCR	DATE
DFR	APPROVALS
CDR	

SHEET 11 OF 23

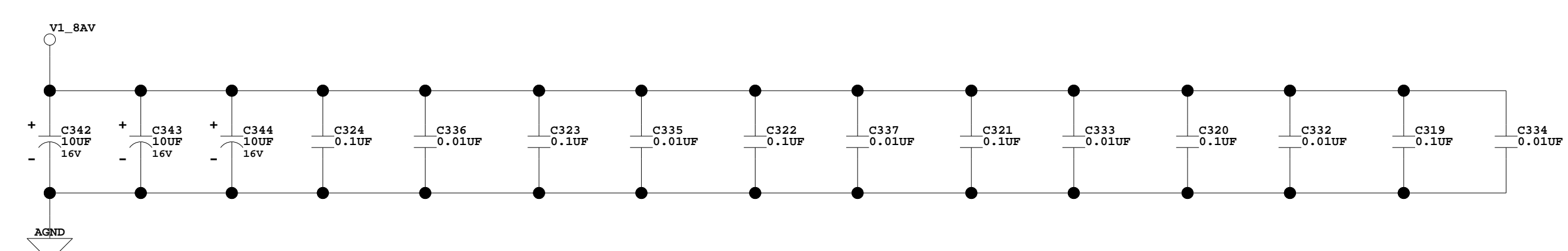
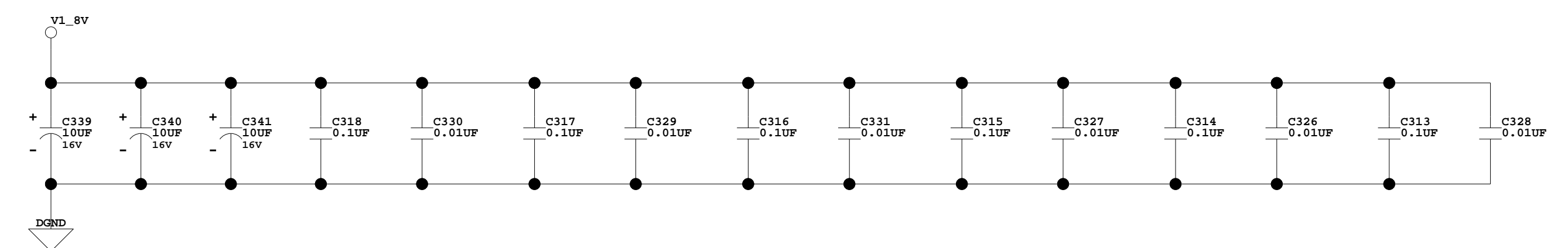
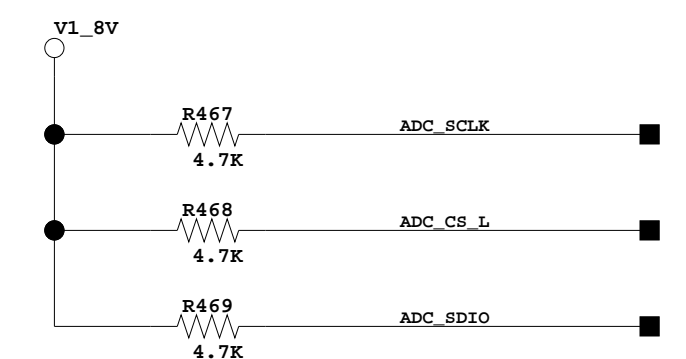
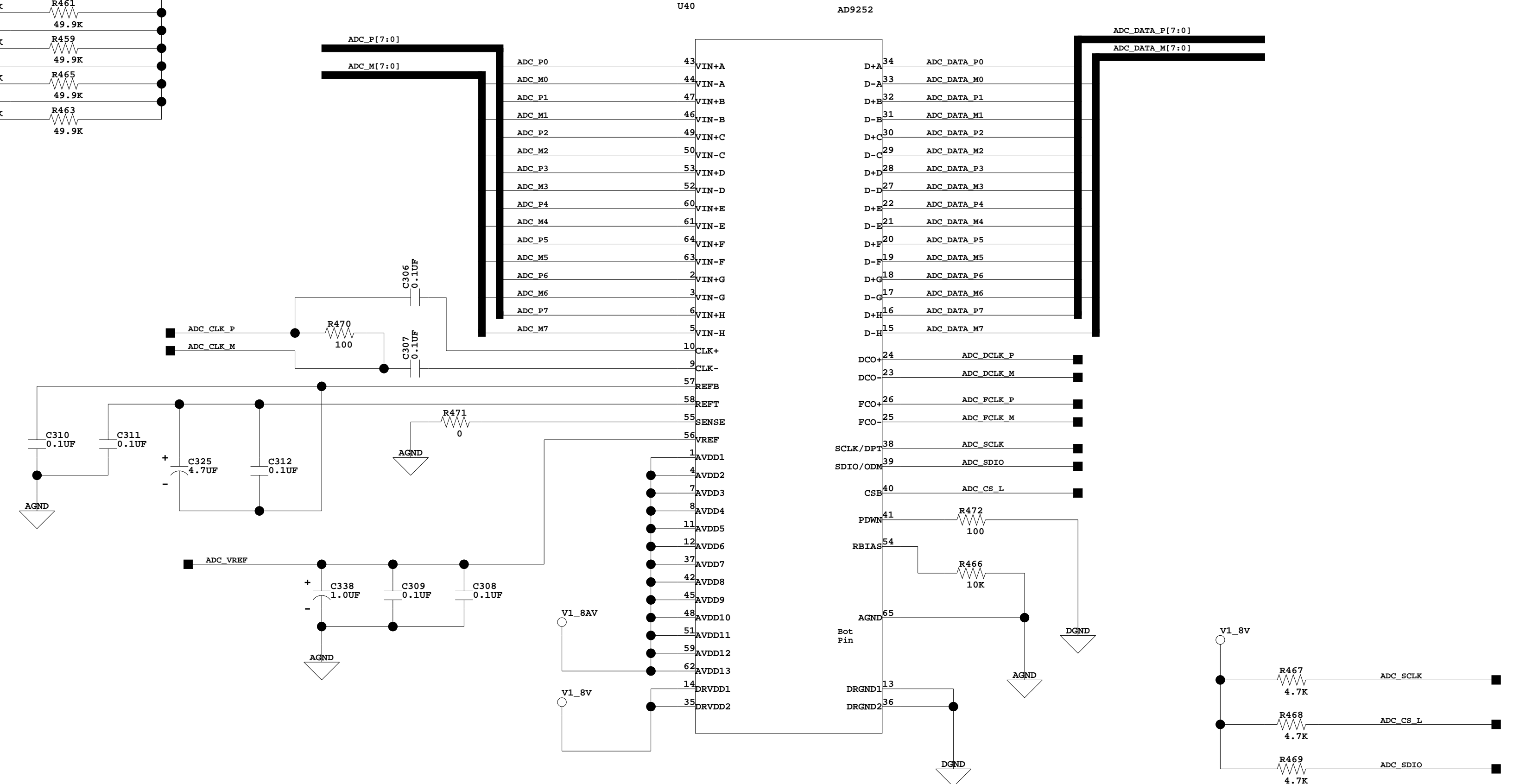
HEAVY P TRACKER RTM BOARD
ADC BUFFERS, 8 CHANNEL

LOCATED AT SHEET 8

SD-249-901-02-C01

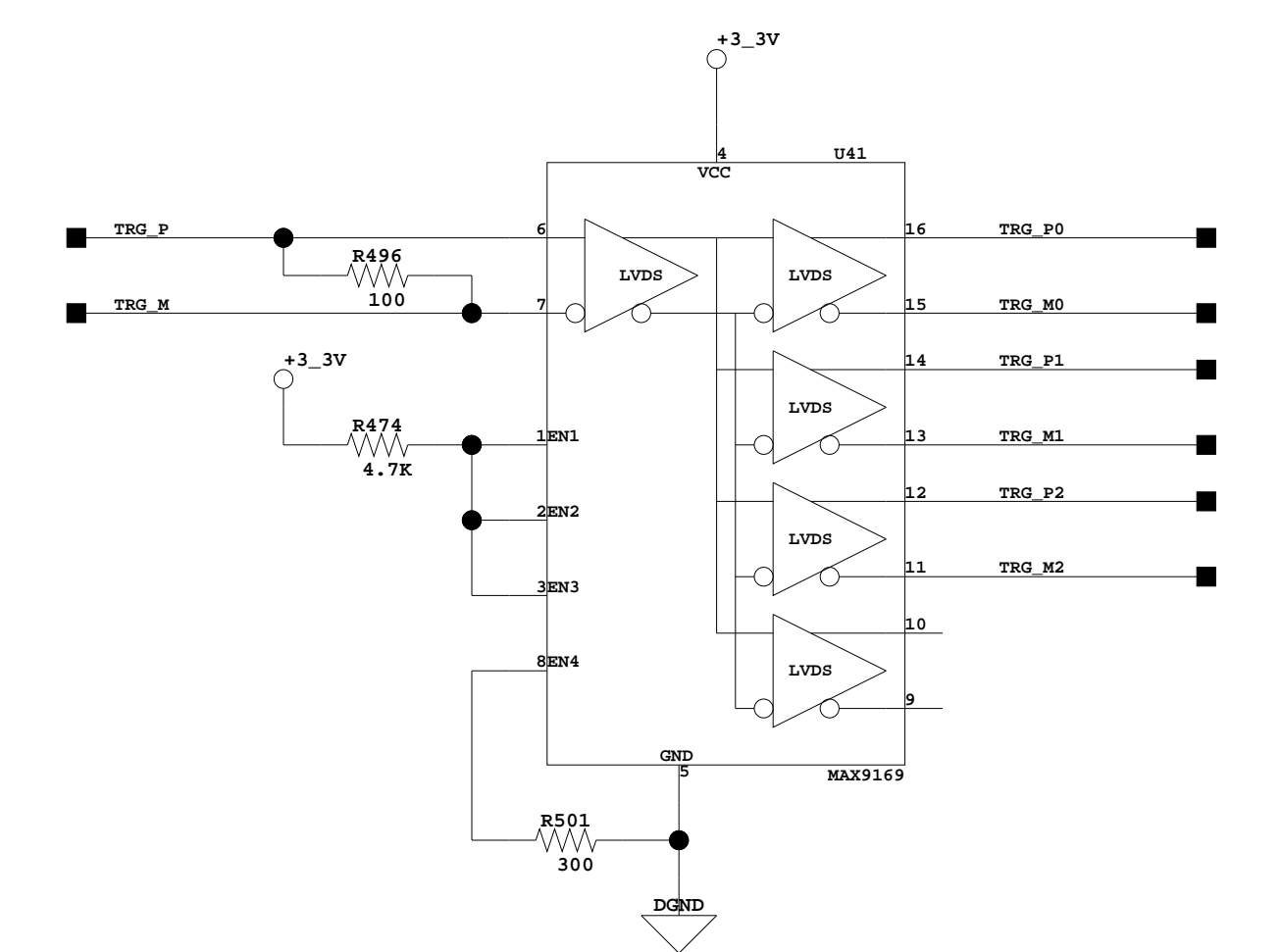
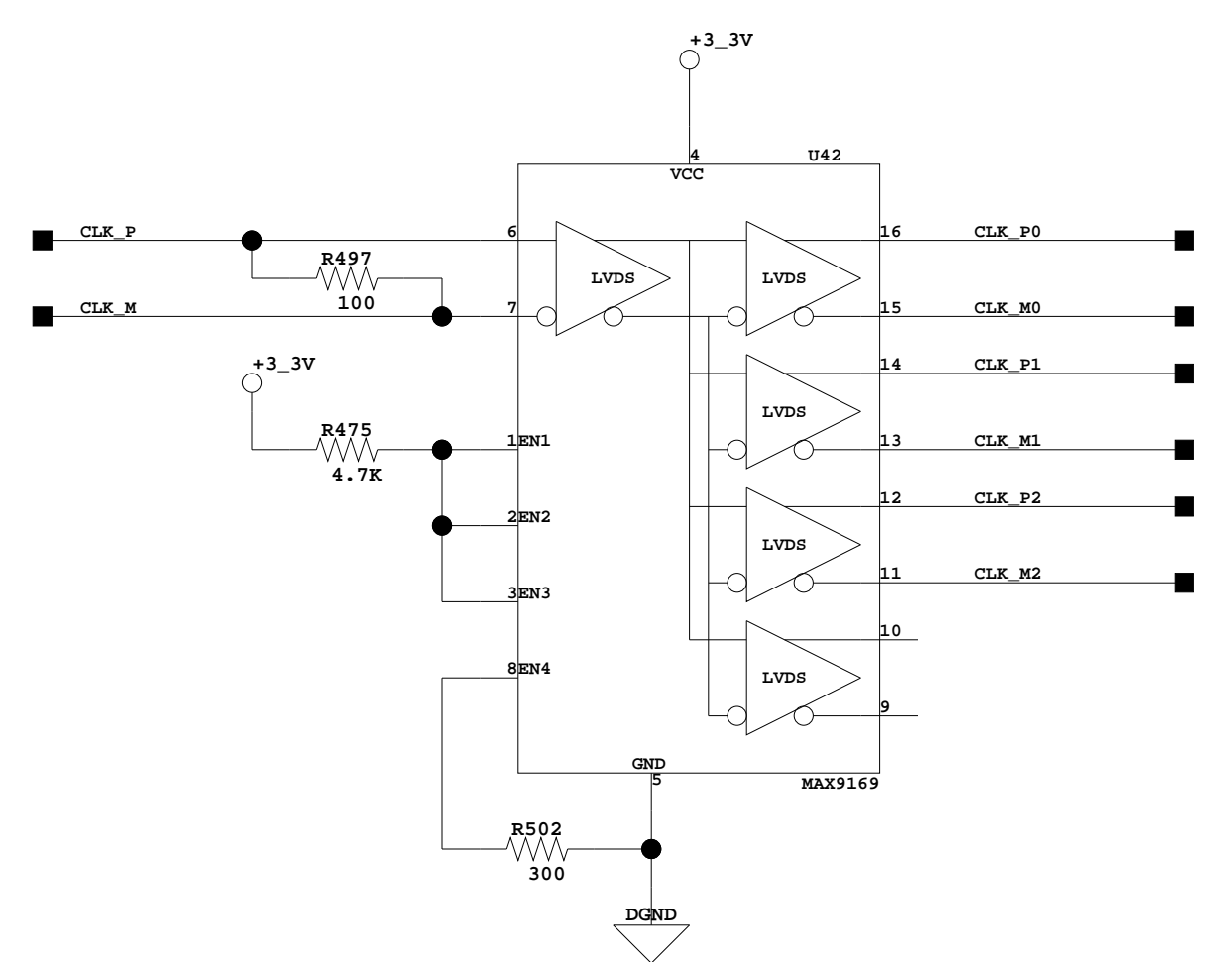
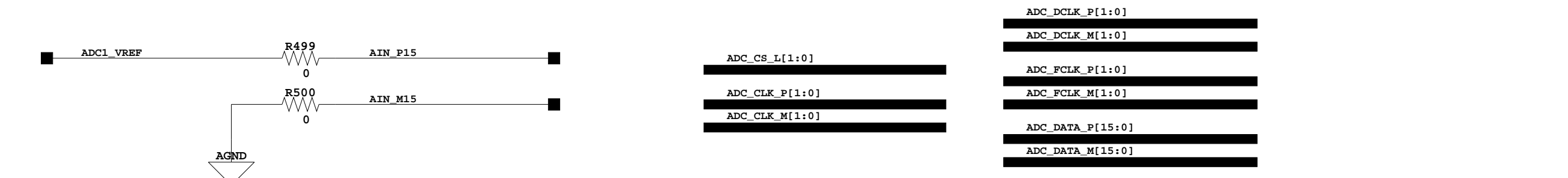
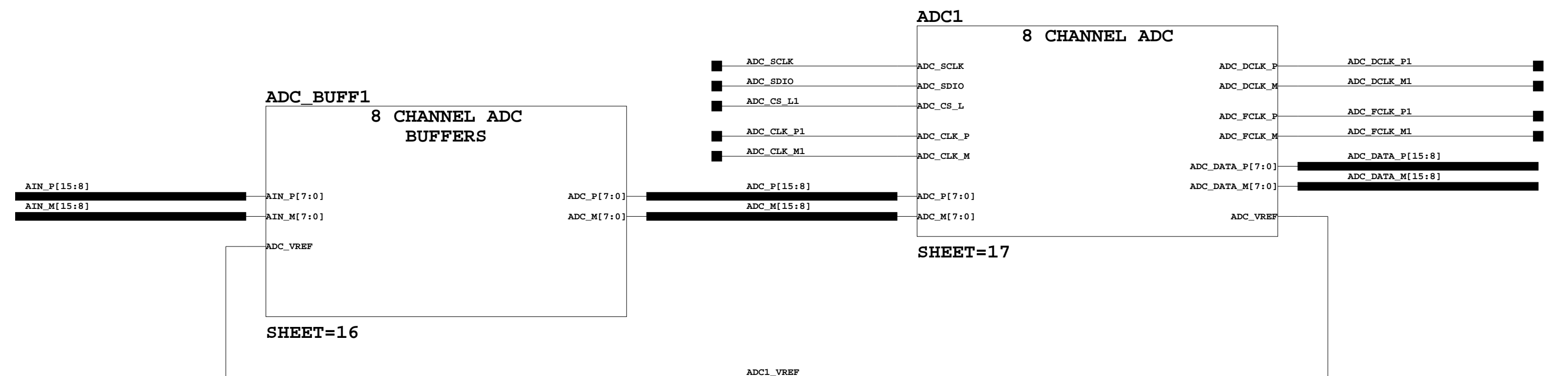
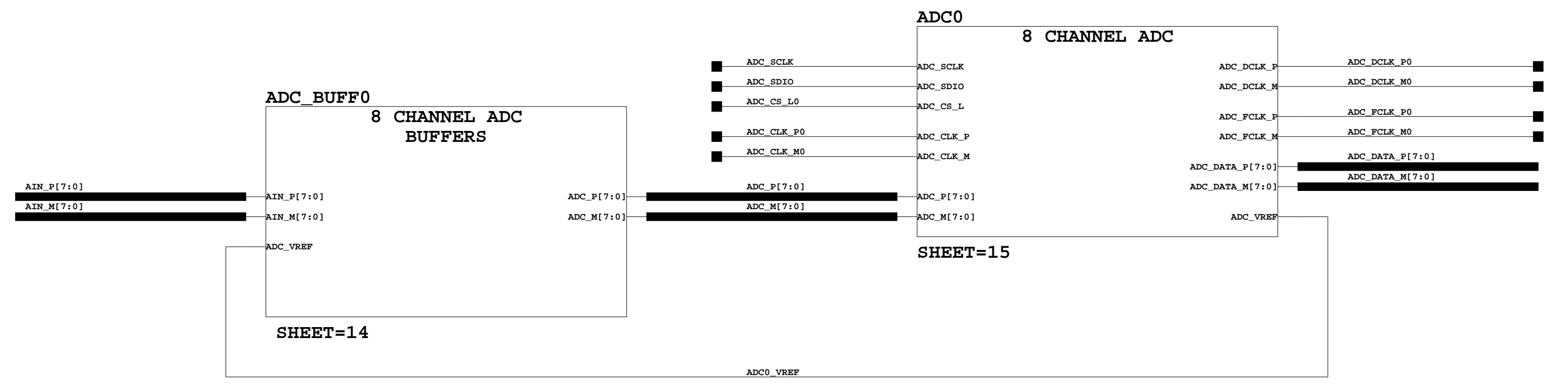
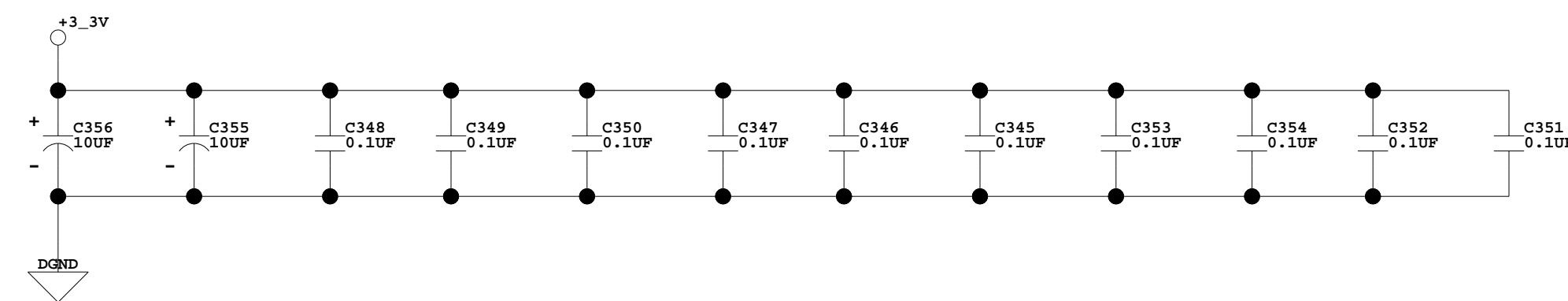
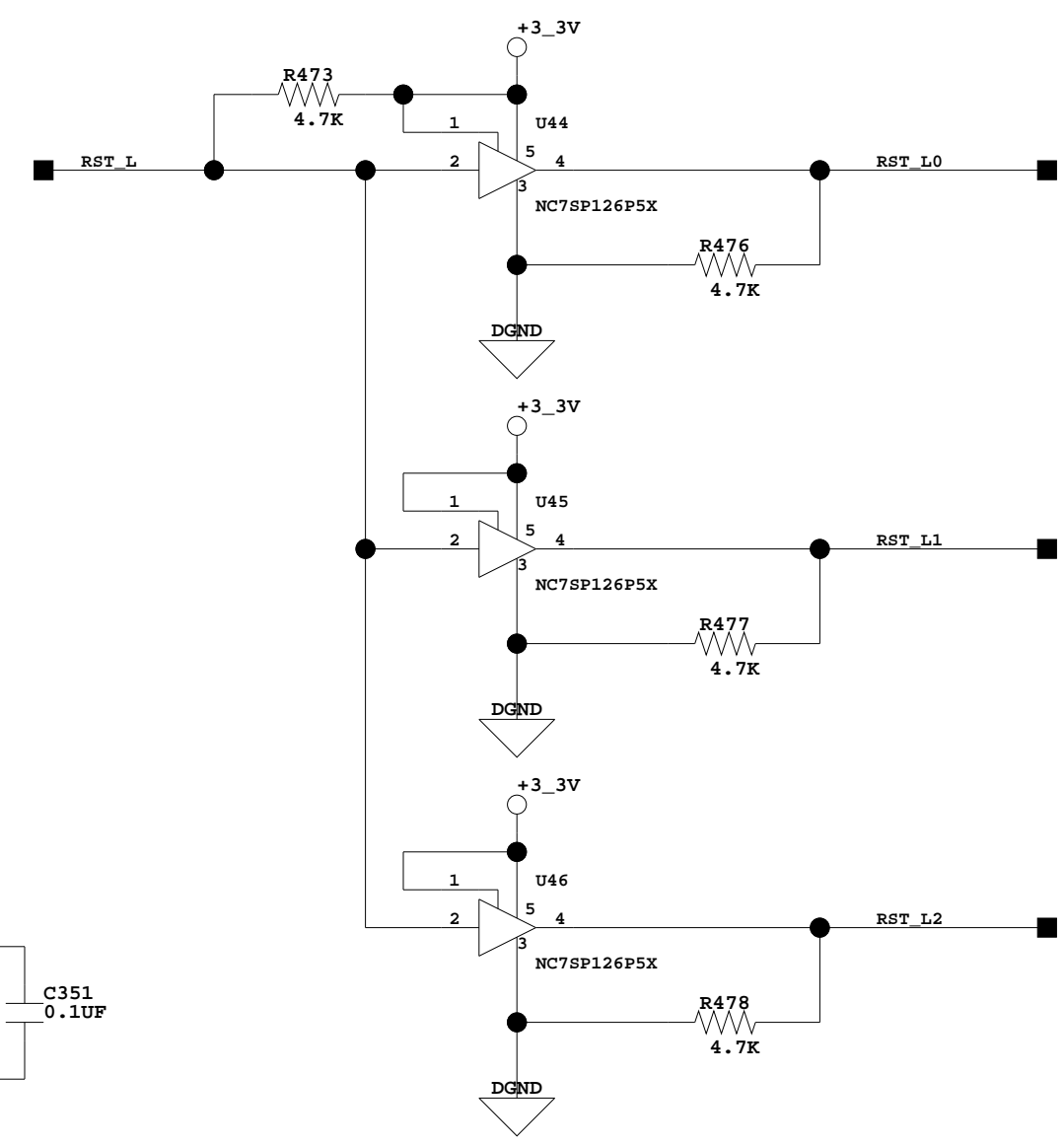
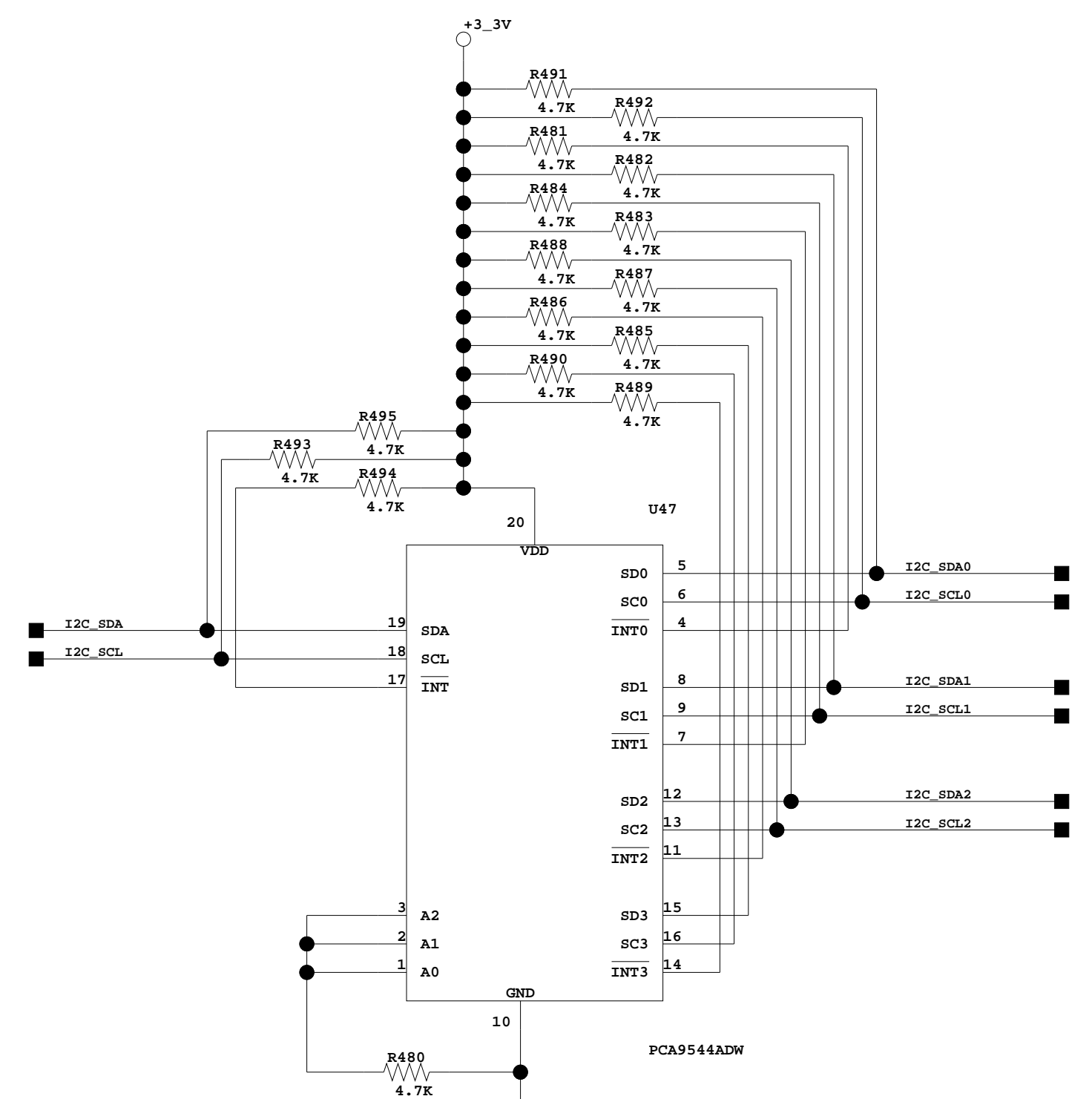
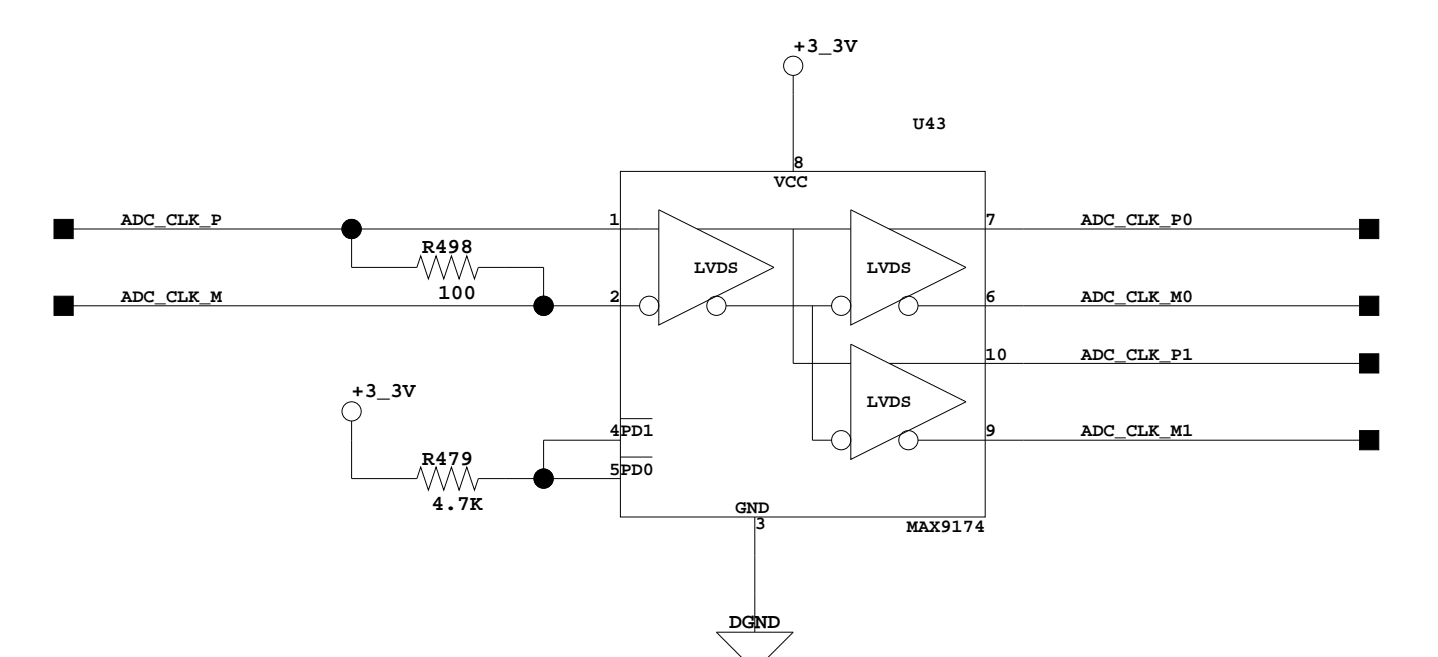
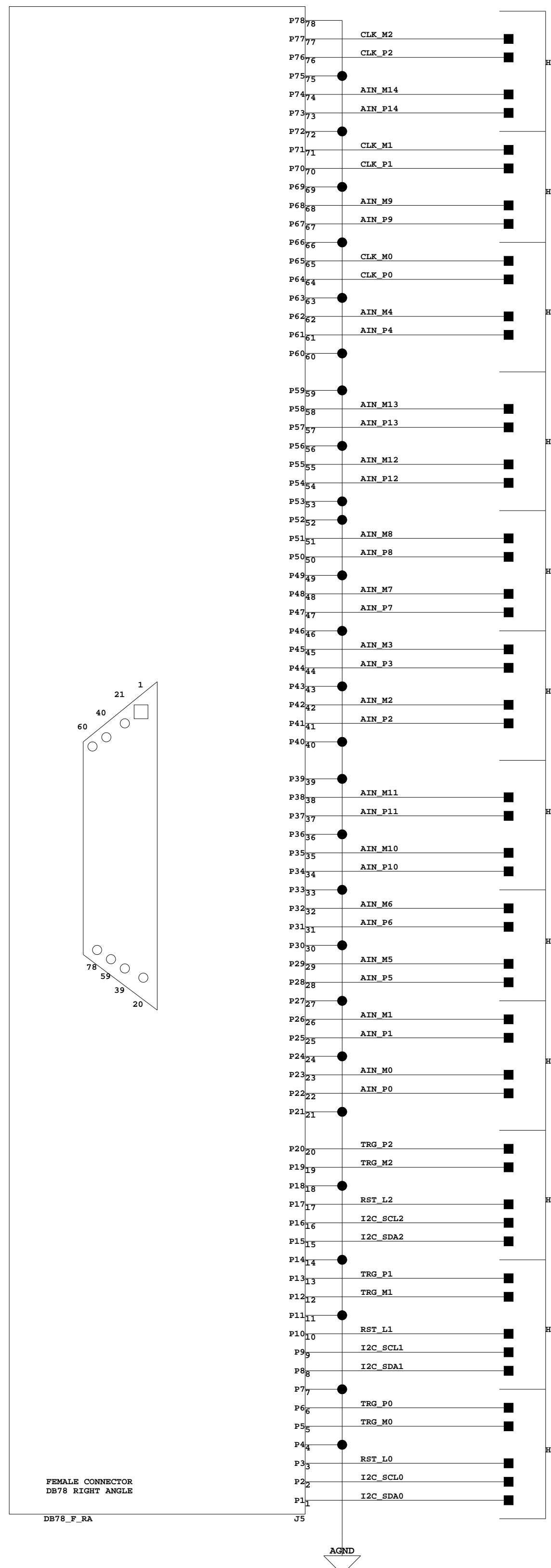
**ADC INPUT TERMINATION
PLACE NEAR ADC**

ADC_P0	R450	
ADC_M0	49.9K	R451
ADC_P1	R452	49.9K
ADC_M1	49.9K	R453
ADC_P2	R454	49.9K
ADC_M2	49.9K	R455
ADC_P3	R456	49.9K
ADC_M3	49.9K	R457
ADC_P4	R458	49.9K
ADC_M4	49.9K	R459
ADC_P5	R460	49.9K
ADC_M5	49.9K	R461
ADC_P6	R462	49.9K
ADC_M6	49.9K	R463
ADC_P7	R464	49.9K
ADC_M7	49.9K	R465



11-22-2010_17:12

SLAC NATIONAL ACCELERATOR LABORATORY U.S. DEPARTMENT OF ENERGY		SHEET 12 OF 23
STANFORD UNIVERSITY STANFORD, CALIFORNIA		HEAVY P TRACKER RTM BOARD 8 CHANNEL ADC
PROPRIETARY DATA OF STANFORD UNIVERSITY AND/OR U.S. DEPARTMENT OF ENERGY. RECIPIENT SHALL NOT PUBLISH THE INFORMATION WITHIN UNLESS GRANTED SPECIFIC PERMISSION OF STANFORD UNIVERSITY.		
INGR	Ryan Herbst	DATE
DPTH		APPROVALS
CMR		LOCATED AT SHEET 8
		SD-249-901-02-C01



SLAC NATIONAL ACCELERATOR LABORATORY
U.S. DEPARTMENT OF ENERGY
STANFORD UNIVERSITY STANFORD, CALIFORNIA

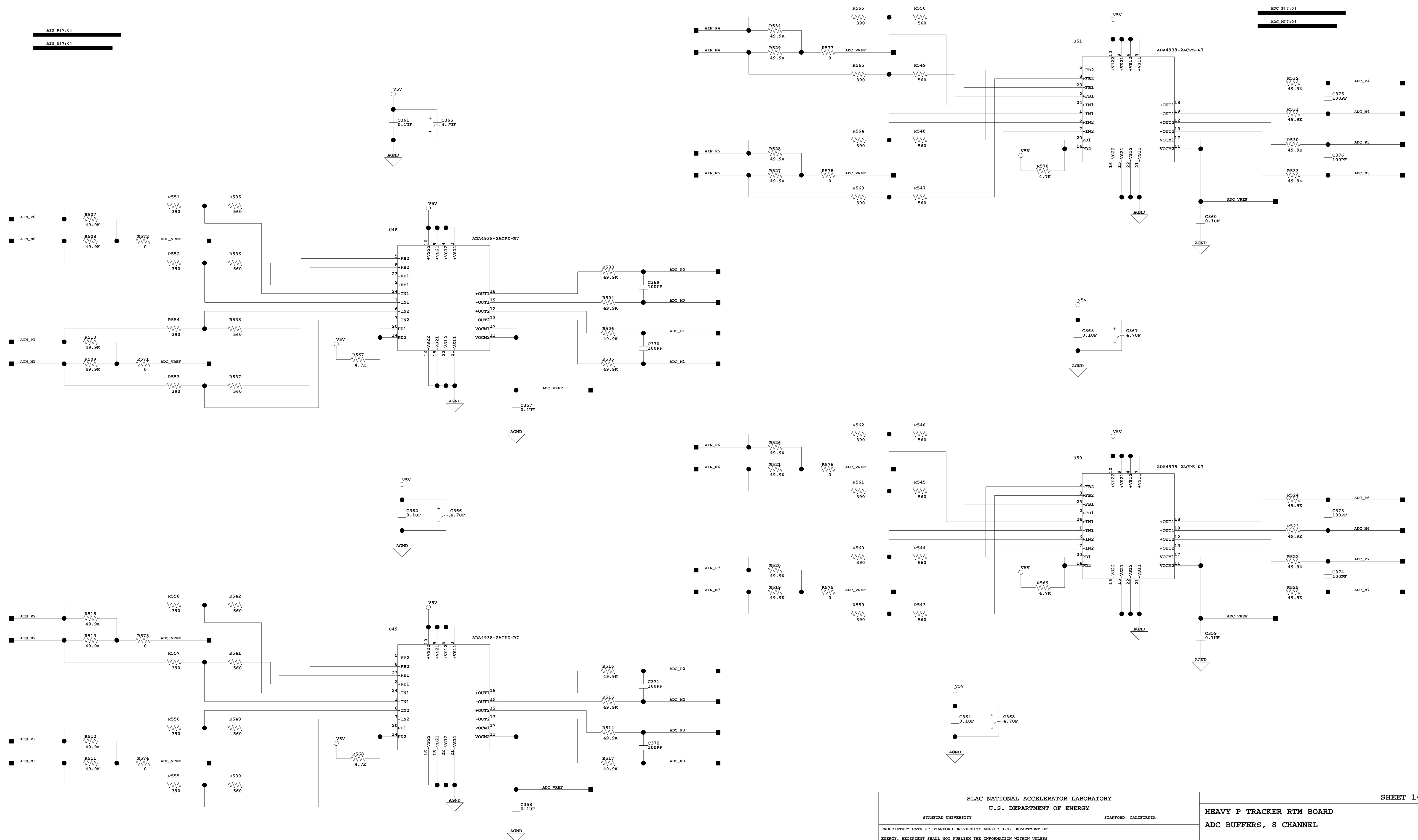
PROPRIETARY DATA OF STANFORD UNIVERSITY AND/OR U.S. DEPARTMENT OF ENERGY. RECIPIENT SHALL NOT PUBLISH THE INFORMATION WITHIN UNLESS GRANTED SPECIFIC PERMISSION OF STANFORD UNIVERSITY.

REVISION	DATE	APPROVALS
0001	2010	Ryan Herbst
0002		
0003		

SHEET 13 OF 23

HEAVY P TRACKER RTM BOARD
APV25 CONNECTOR

LOCATED AT SHEET 1
SD-249-901-02-C01

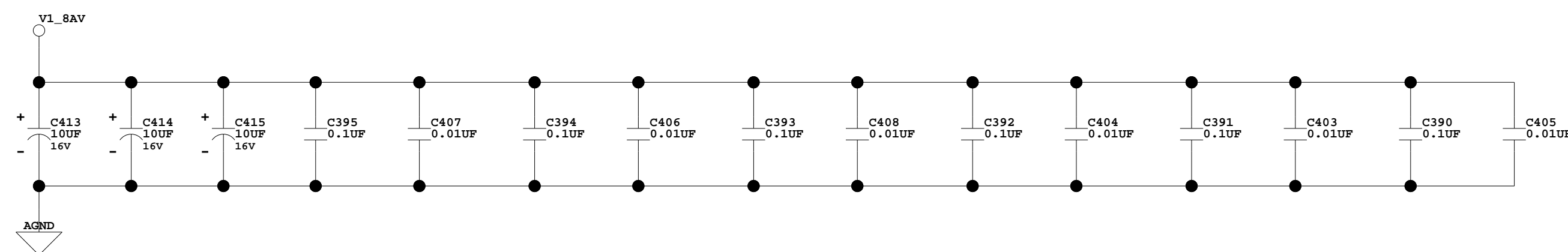
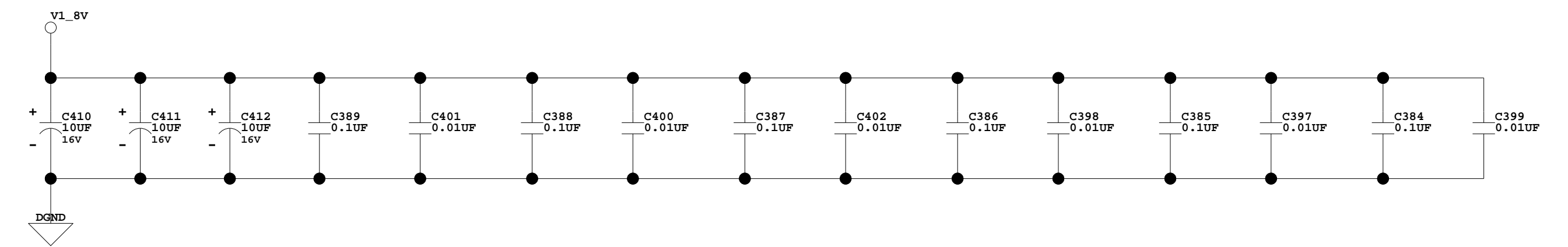
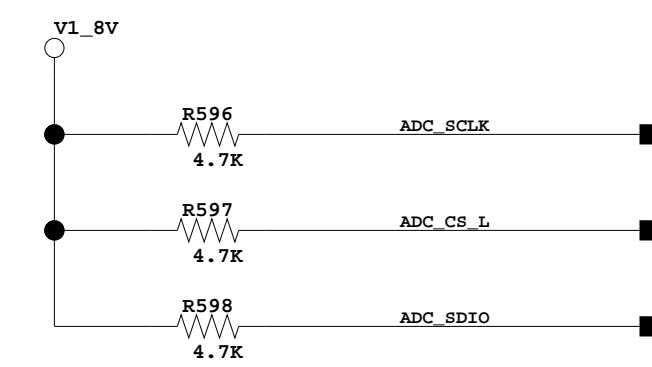
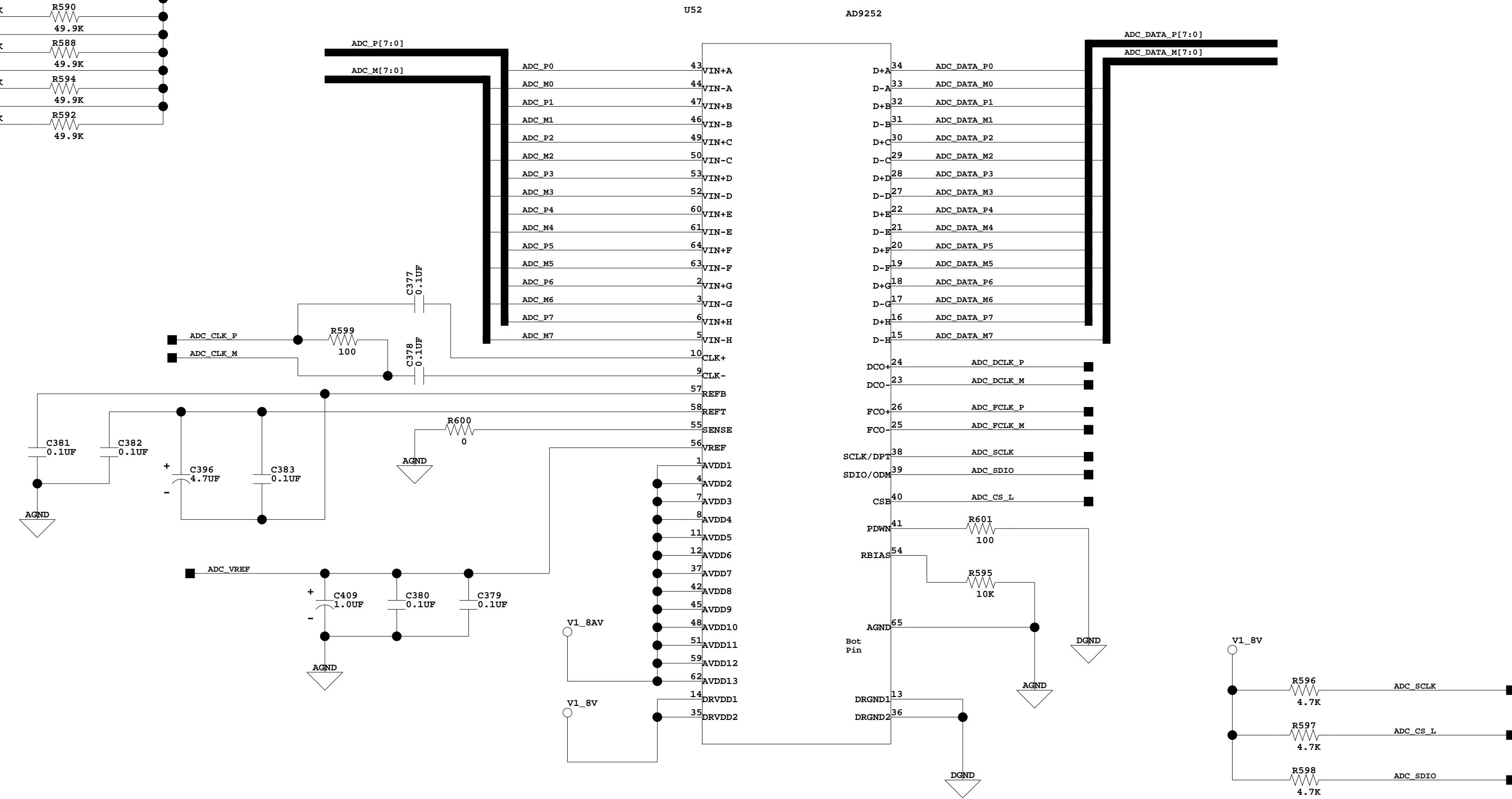


11-22-2010_17:11

SLAC NATIONAL ACCELERATOR LABORATORY U.S. DEPARTMENT OF ENERGY		SHEET 14 OF 23
STANFORD UNIVERSITY STANFORD, CALIFORNIA		HEAVY P TRACKER RTM BOARD ADC BUFFERS, 8 CHANNEL
PROPRIETARY DATA OF STANFORD UNIVERSITY AND/OR U.S. DEPARTMENT OF ENERGY. RECIPIENT SHALL NOT PUBLISH THE INFORMATION WITHIN UNLESS GRANTED SPECIFIC PERMISSION OF STANFORD UNIVERSITY.		
DFR Ryan Herbat	DATE 2010	APPROVALS
LOCATED AT SHEET 13		SD-249-901-02-C01

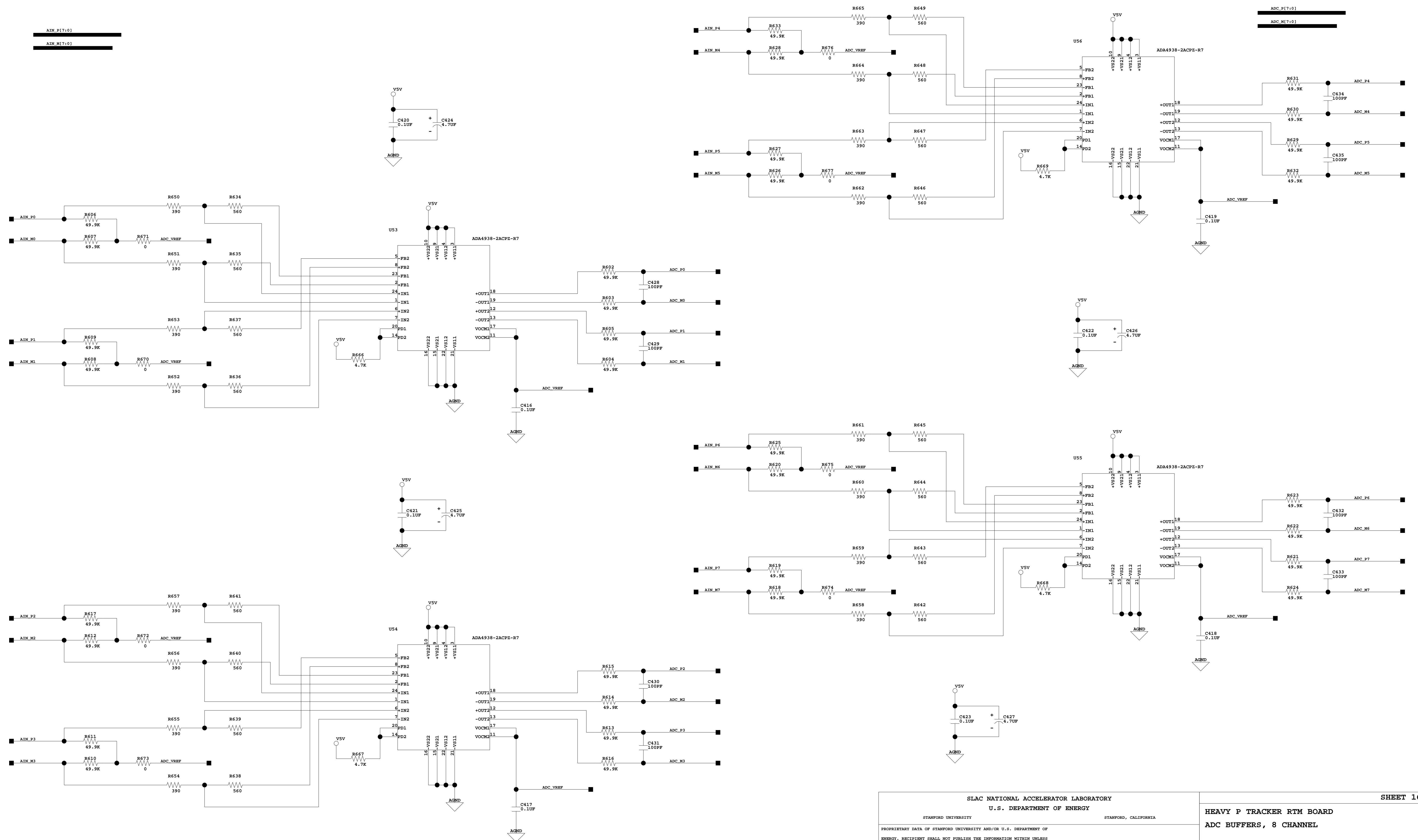
ADC INPUT TERMINATION
PLACE NEAR ADC

ADC_P0	R579		ADC_VREF
ADC_M0	49.9K	R580	
ADC_P1	R581	49.9K	
ADC_M1	49.9K	R582	
ADC_P2	R585	49.9K	
ADC_M2	49.9K	R586	
ADC_P3	R583	49.9K	
ADC_M3	49.9K	R584	
ADC_P4	R589	49.9K	
ADC_M4	49.9K	R590	
ADC_P5	R587	49.9K	
ADC_M5	49.9K	R588	
ADC_P6	R593	49.9K	
ADC_M6	49.9K	R594	
ADC_P7	R591	49.9K	
ADC_M7	49.9K	R592	



11-22-2010_17:12

SLAC NATIONAL ACCELERATOR LABORATORY U.S. DEPARTMENT OF ENERGY		SHEET 15 OF 23
STANFORD UNIVERSITY STANFORD, CALIFORNIA		HEAVY P TRACKER RTM BOARD 8 CHANNEL ADC
PROPRIETARY DATA OF STANFORD UNIVERSITY AND/OR U.S. DEPARTMENT OF ENERGY. RECIPIENT SHALL NOT PUBLISH THE INFORMATION WITHIN UNLESS GRANTED SPECIFIC PERMISSION OF STANFORD UNIVERSITY.		
INGR	Ryan Herbst	DATE
DPTH		2010
CMR		APPROVALS
		LOCATED AT SHEET 13
		SD-249-901-02-C01



11-22-2010_17:11

SLAC NATIONAL ACCELERATOR LABORATORY
U.S. DEPARTMENT OF ENERGY

STANFORD UNIVERSITY STANFORD, CALIFORNIA

PROPRIETARY DATA OF STANFORD UNIVERSITY AND/OR U.S. DEPARTMENT OF ENERGY. RECIPIENT SHALL NOT PUBLISH THE INFORMATION WITHIN UNLESS GRANTED SPECIFIC PERMISSION OF STANFORD UNIVERSITY.

DRWR	DATE	APPROVALS
Ryan Herbat	2010	
DFR		
CDR		

SHEET 16 OF 23

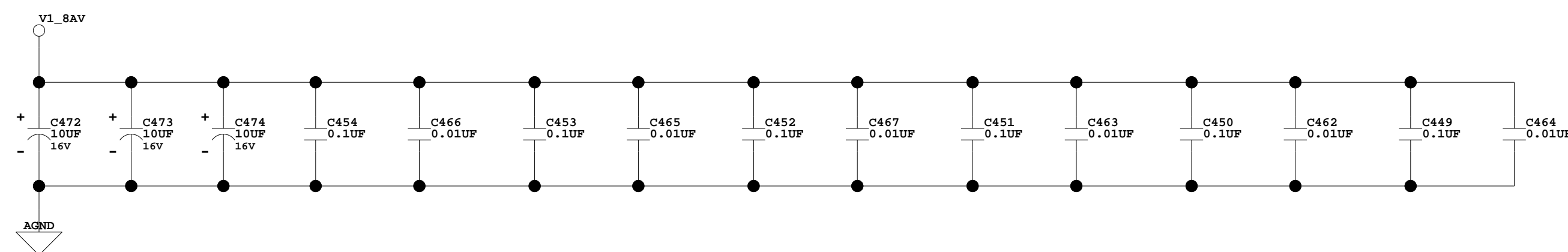
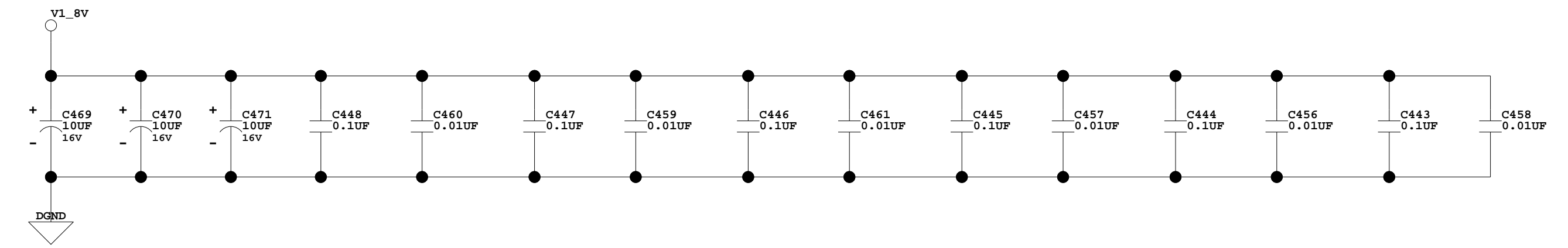
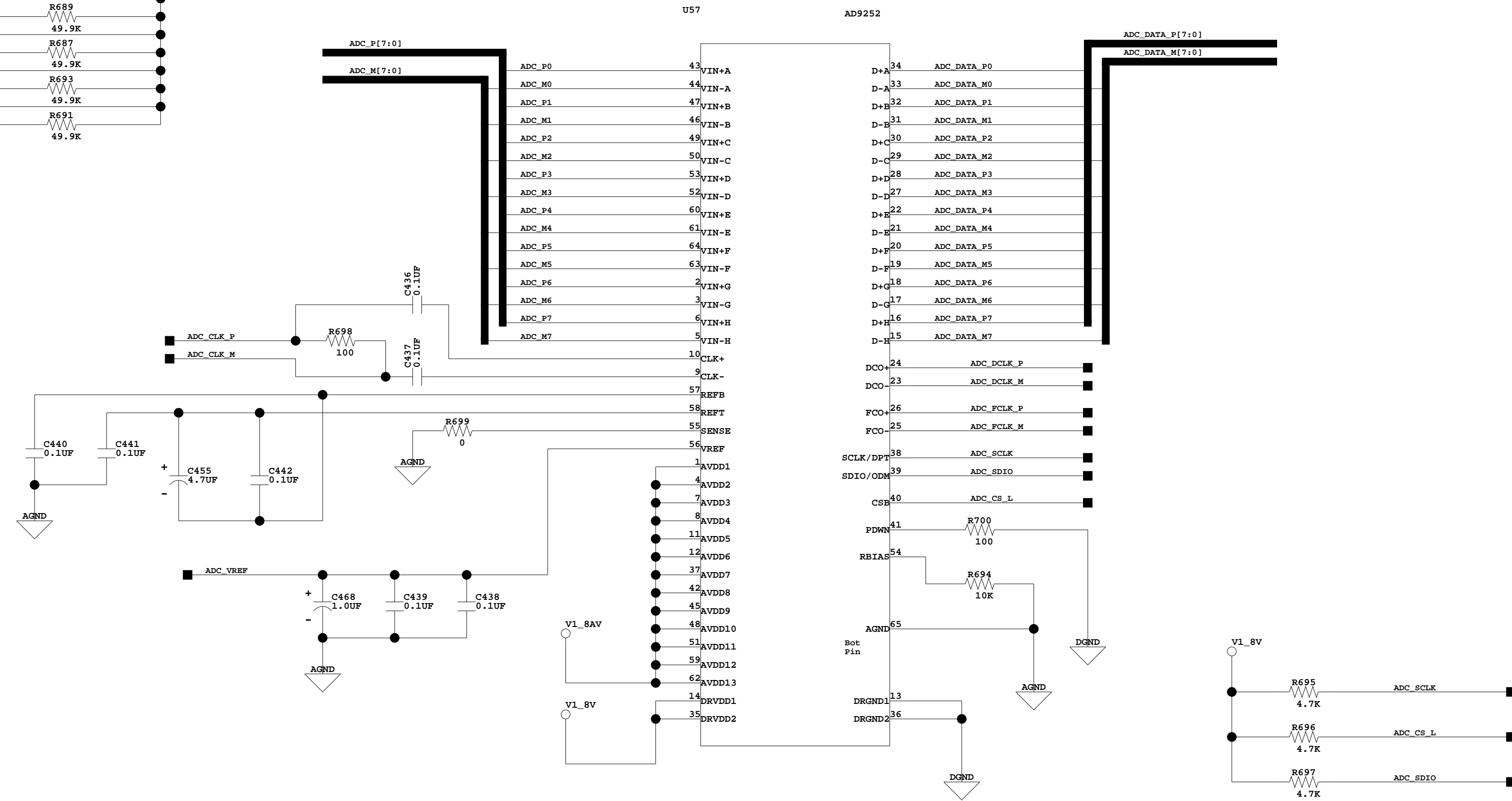
HEAVY P TRACKER RTM BOARD
ADC BUFFERS, 8 CHANNEL

LOCATED AT SHEET 13

SD-249-901-02-C01

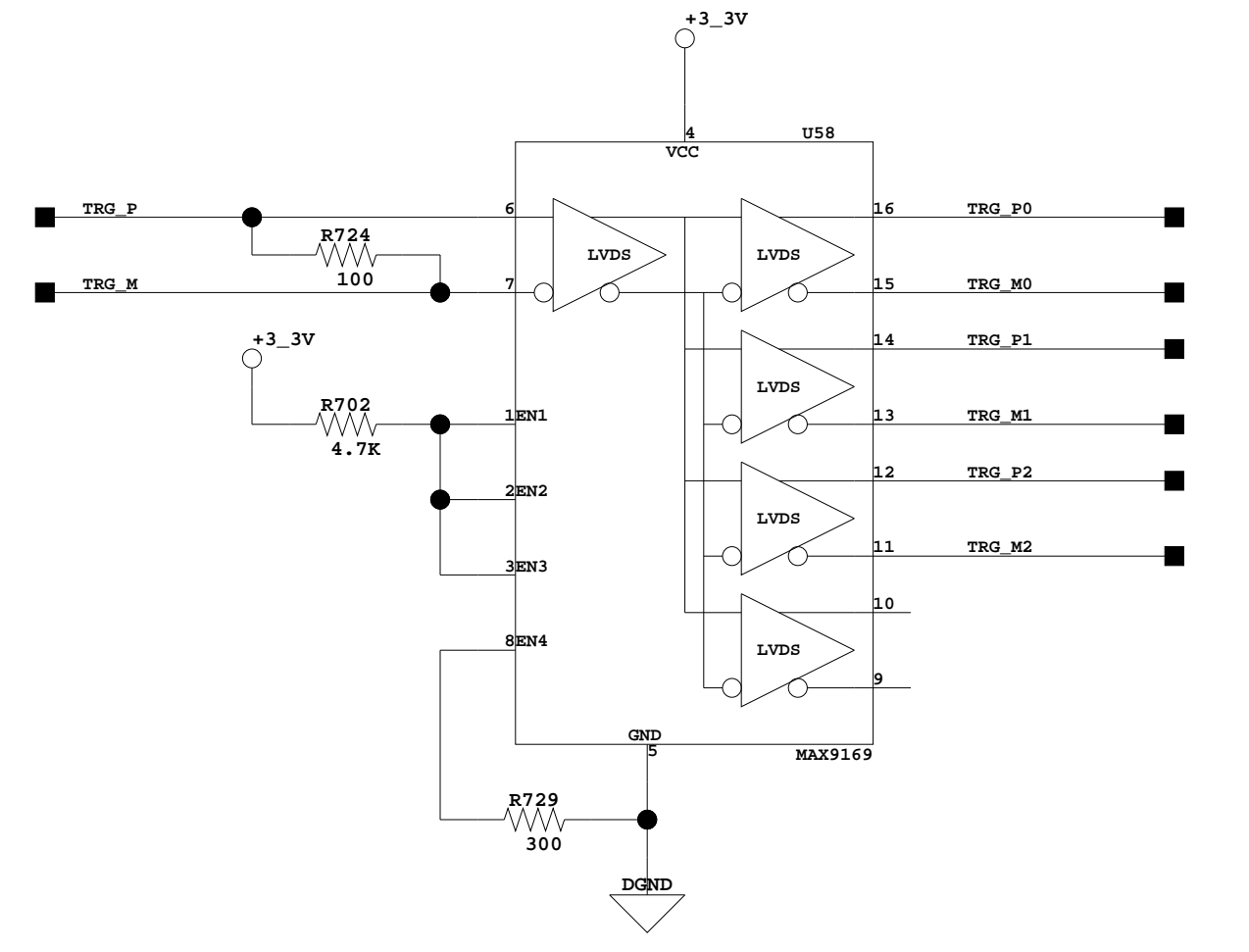
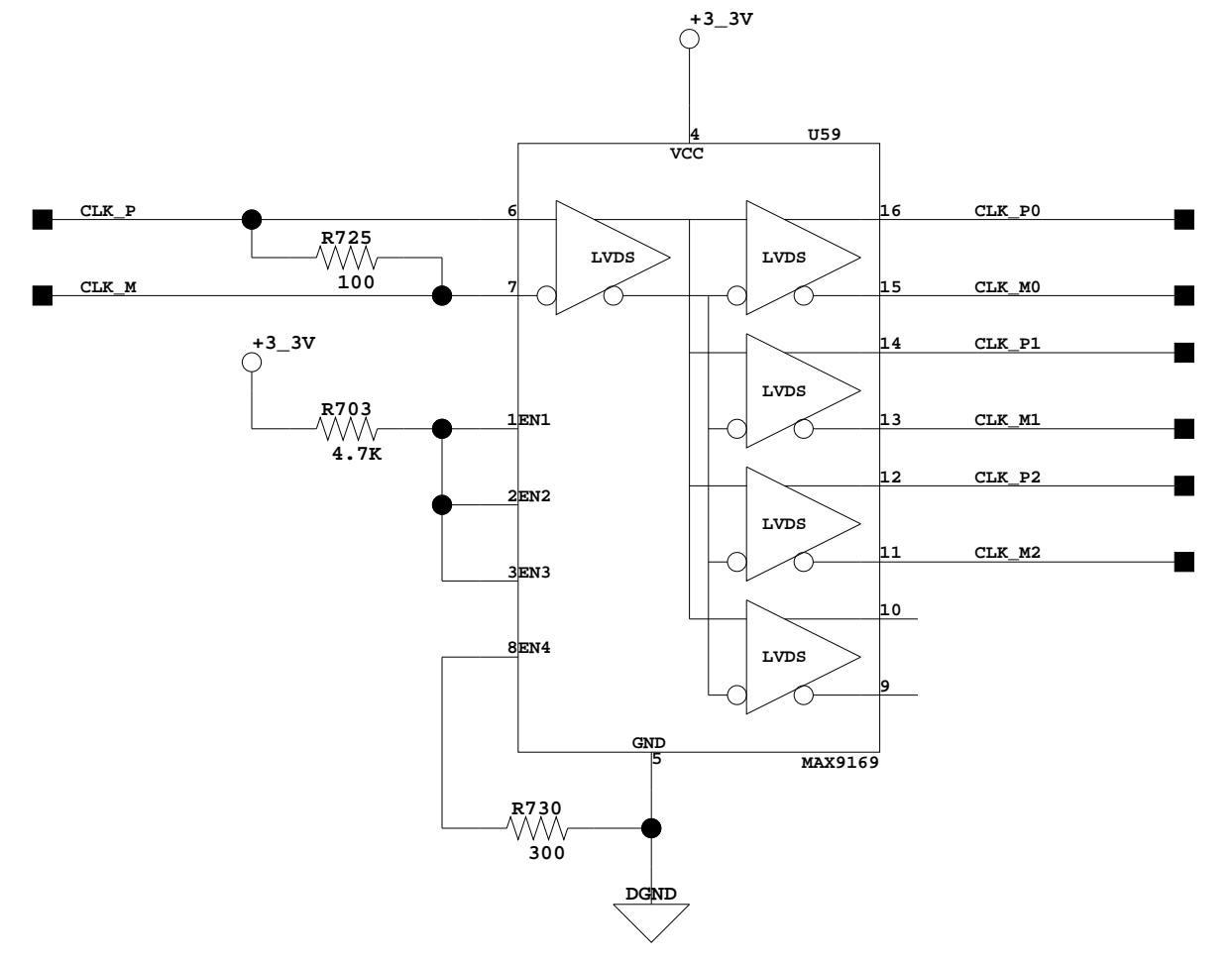
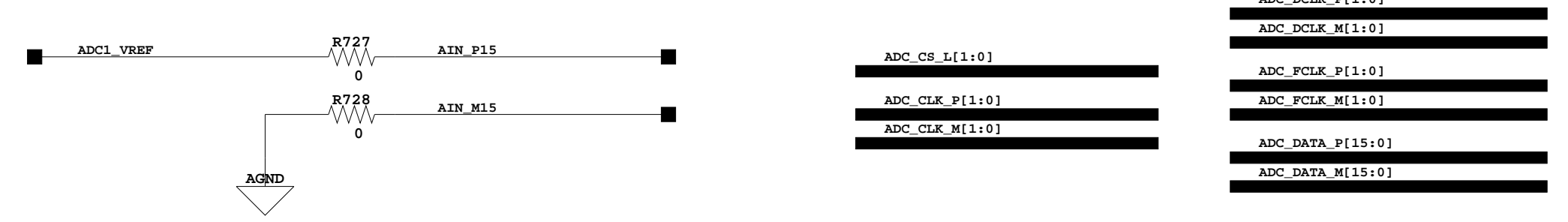
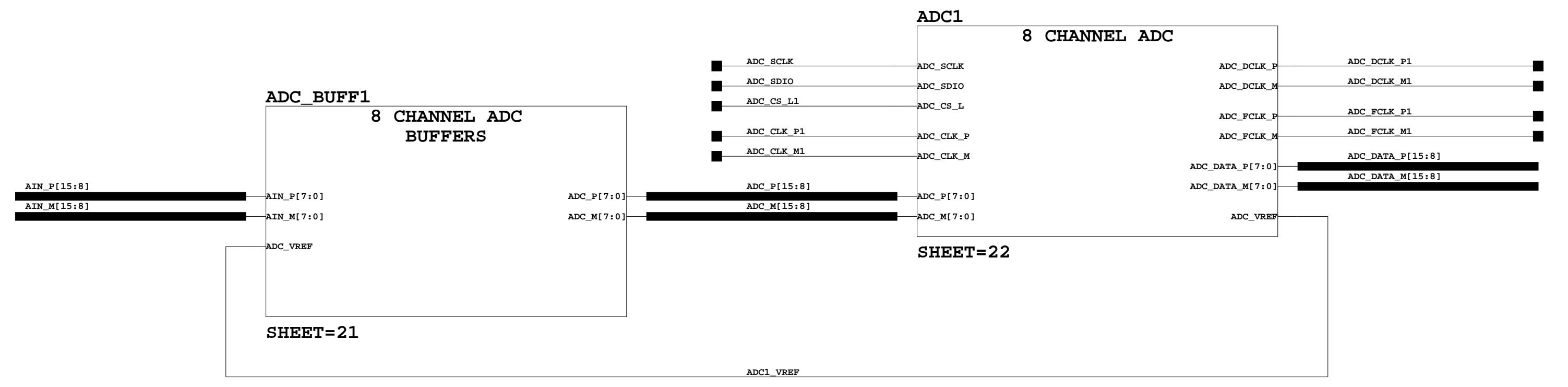
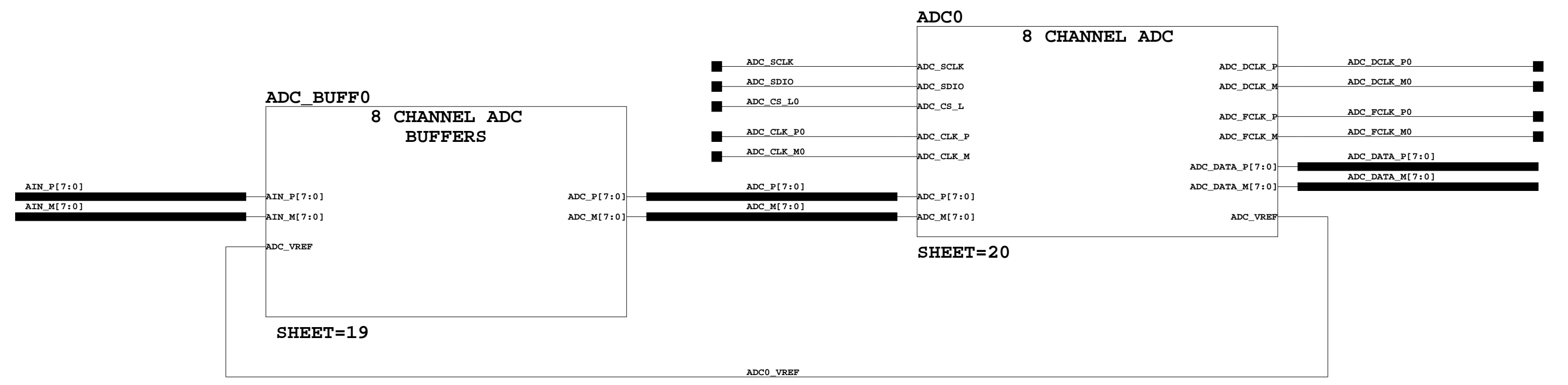
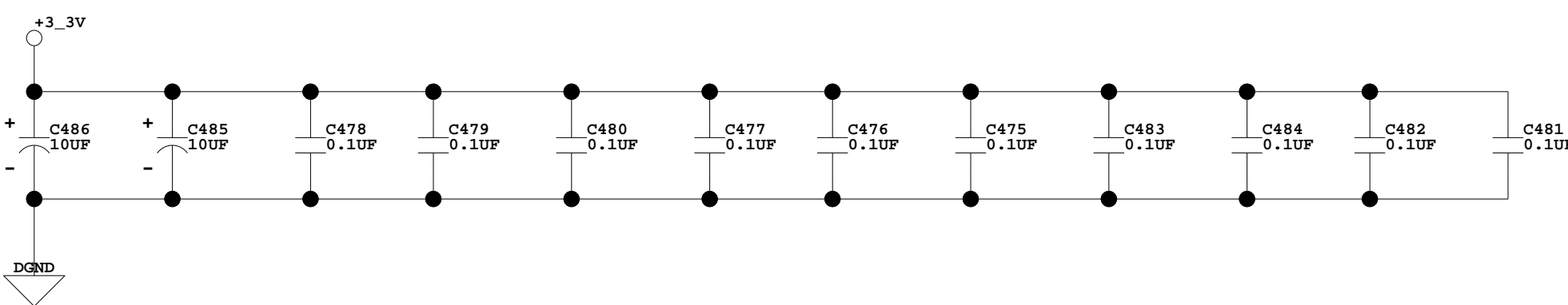
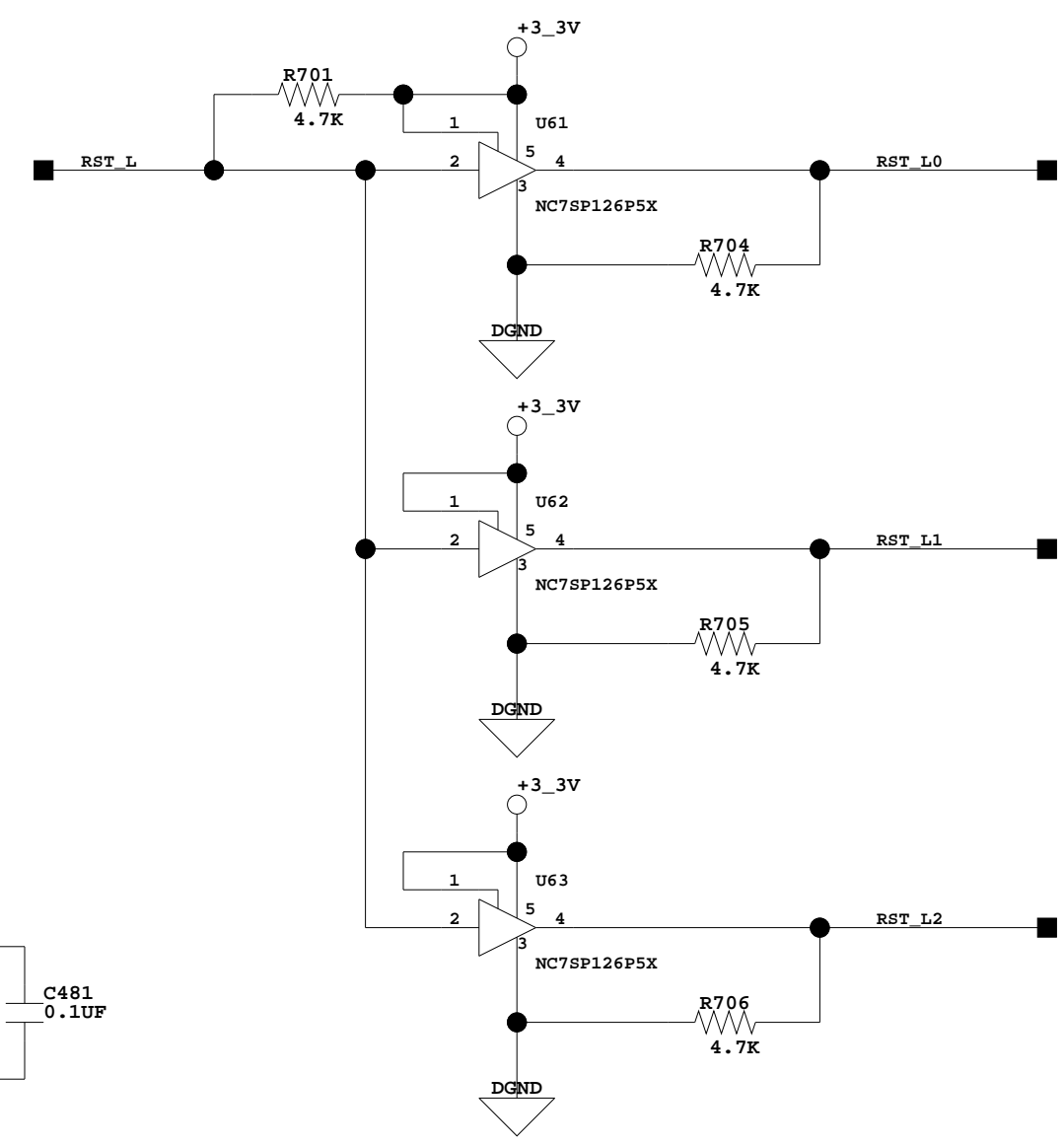
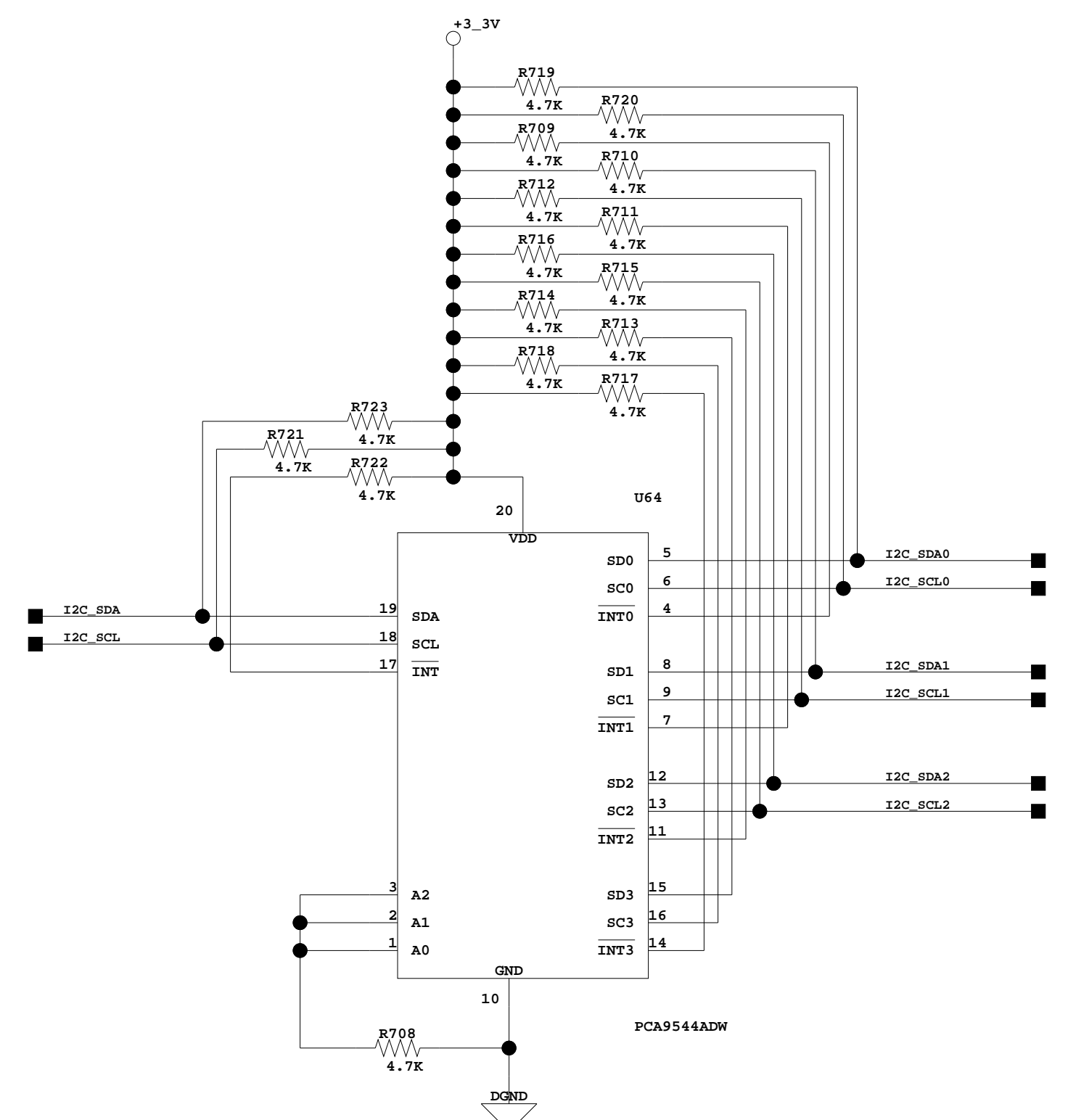
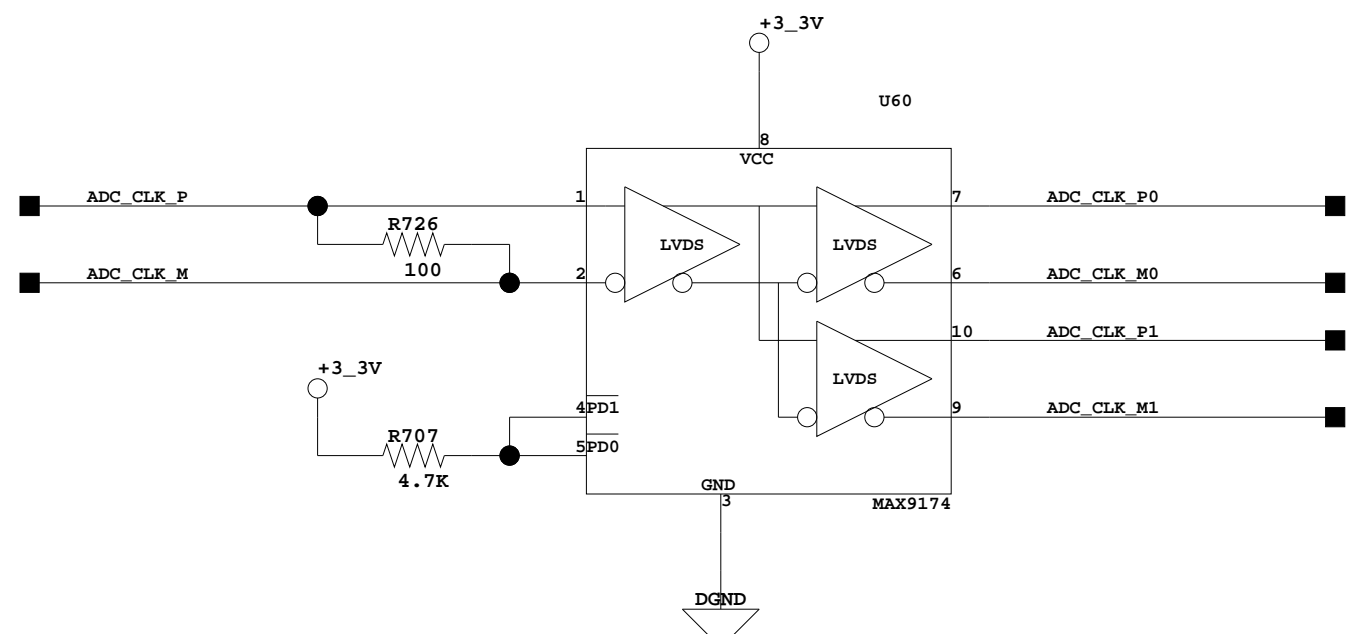
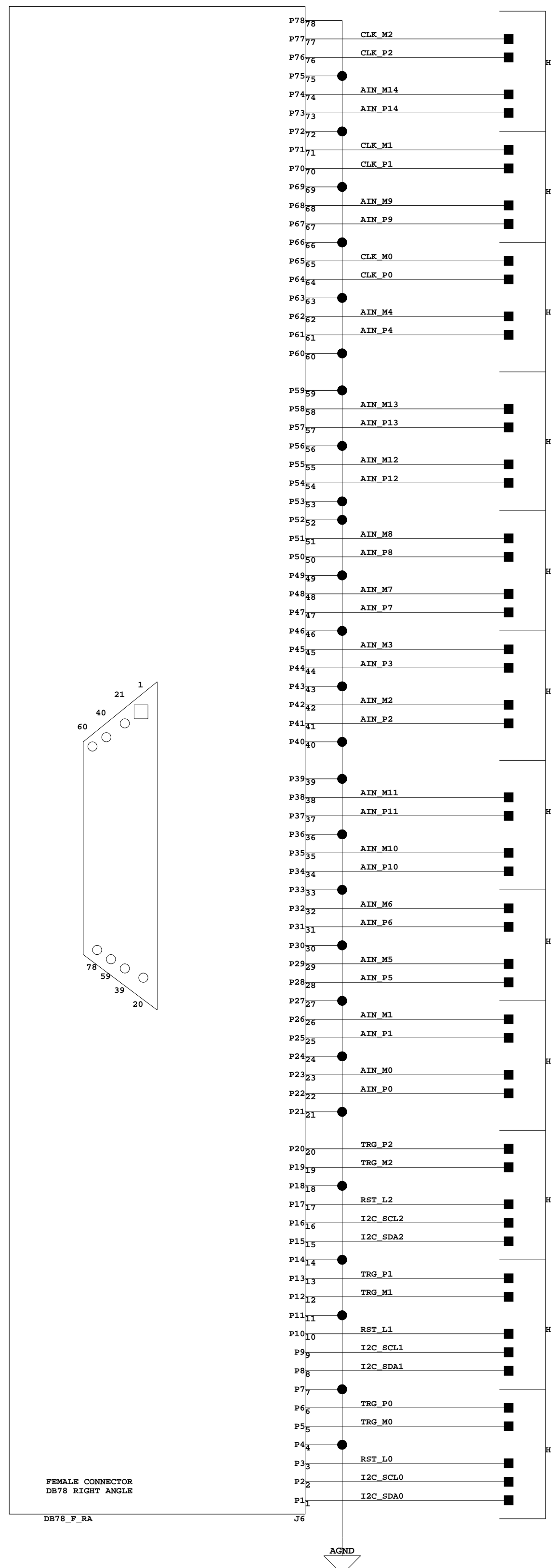
**ADC INPUT TERMINATION
PLACE NEAR ADC**

ADC_P0	R678	ADC_VREF
ADC_M0	49.9K	R679
ADC_P1	R680	49.9K
ADC_M1	49.9K	R681
ADC_P2	R684	49.9K
ADC_M2	49.9K	R685
ADC_P3	R682	49.9K
ADC_M3	49.9K	R683
ADC_P4	R688	49.9K
ADC_M4	49.9K	R689
ADC_P5	R686	49.9K
ADC_M5	49.9K	R687
ADC_P6	R692	49.9K
ADC_M6	49.9K	R693
ADC_P7	R690	49.9K
ADC_M7	49.9K	R691



11-22-2010_17:12

SLAC NATIONAL ACCELERATOR LABORATORY U.S. DEPARTMENT OF ENERGY		SHEET 17 OF 23
STANFORD UNIVERSITY STANFORD, CALIFORNIA		HEAVY P TRACKER RTM BOARD 8 CHANNEL ADC
PROPRIETARY DATA OF STANFORD UNIVERSITY AND/OR U.S. DEPARTMENT OF ENERGY. RECIPIENT SHALL NOT PUBLISH THE INFORMATION WITHIN UNLESS GRANTED SPECIFIC PERMISSION OF STANFORD UNIVERSITY.		
INGR	Ryan Herbst	2010
DPTH		
CMR		
LOCATED AT SHEET 13		
SD-249-901-02-C01		



SLAC NATIONAL ACCELERATOR LABORATORY
U.S. DEPARTMENT OF ENERGY

STANFORD UNIVERSITY STANFORD, CALIFORNIA

PROPRIETARY DATA OF STANFORD UNIVERSITY AND/OR U.S. DEPARTMENT OF ENERGY. RECIPIENT SHALL NOT PUBLISH THE INFORMATION WITHIN UNLESS GRANTED SPECIFIC PERMISSION OF STANFORD UNIVERSITY.

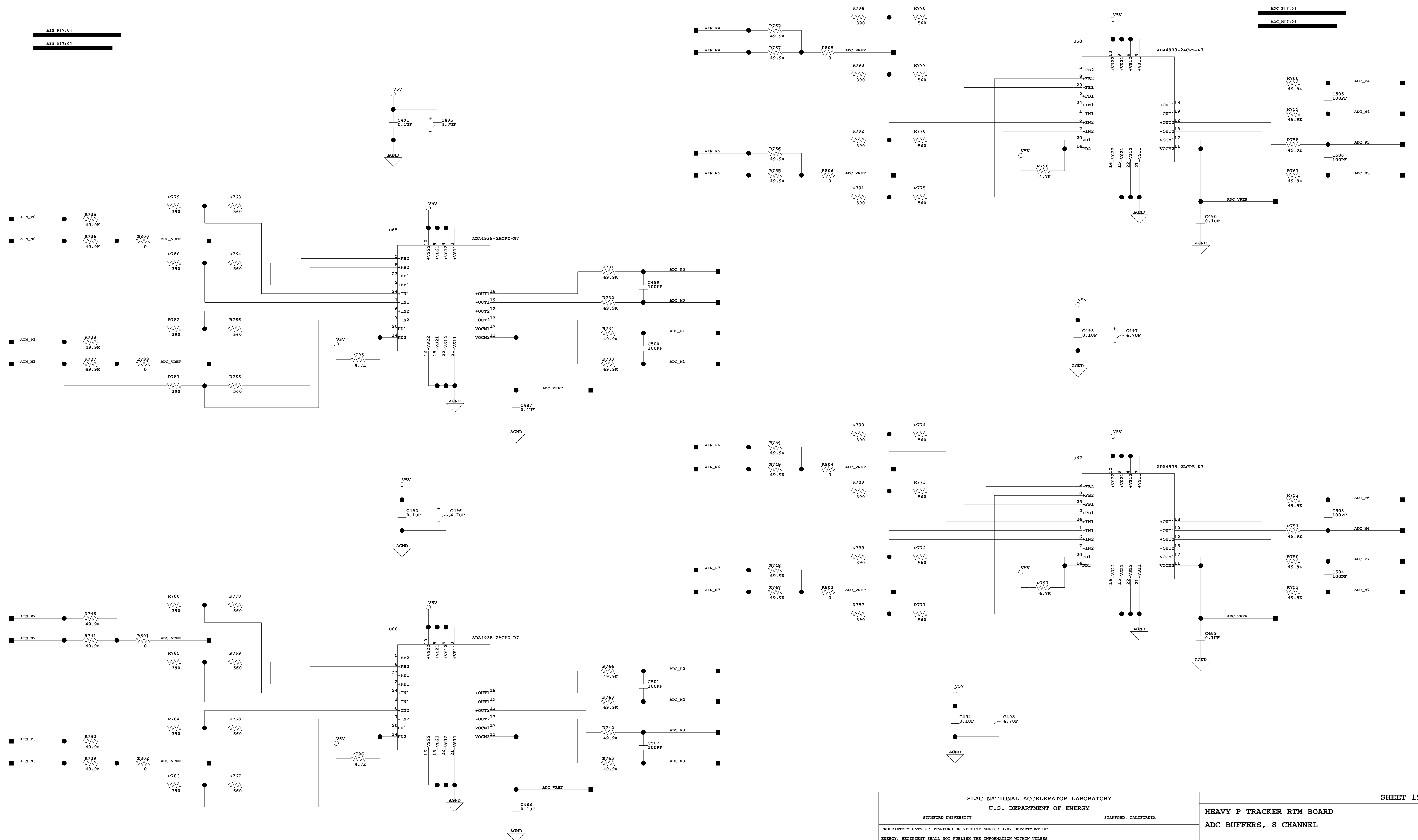
DATE	APPROVALS
2010	Ryan Herbst

SHEET 18 OF 23

HEAVY P TRACKER RTM BOARD
APV25 CONNECTOR

LOCATED AT SHEET 1

SD-249-901-02-C01



11-22-2010_17:11

SLAC NATIONAL ACCELERATOR LABORATORY U.S. DEPARTMENT OF ENERGY STANFORD UNIVERSITY STANFORD, CALIFORNIA		
PROPRIETARY DATA OF STANFORD UNIVERSITY AND/OR U.S. DEPARTMENT OF ENERGY. RECIPIENT SHALL NOT PUBLISH THE INFORMATION WITHIN UNLESS GRANTED SPECIFIC PERMISSION OF STANFORD UNIVERSITY.		
INDR	DATE	APPROVALS
DFR	2010	
CDR		

SHEET 19 OF 23

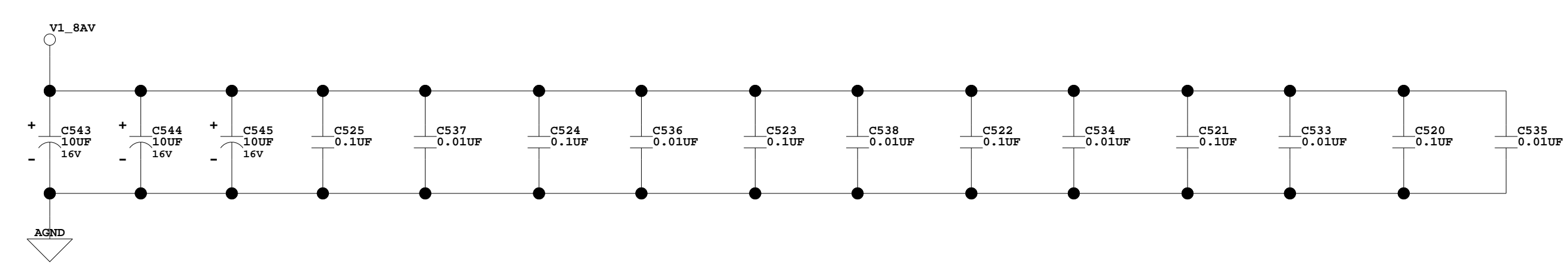
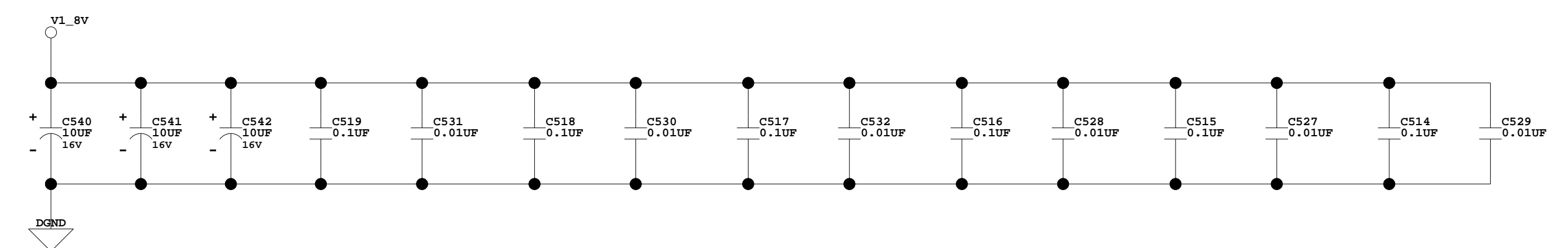
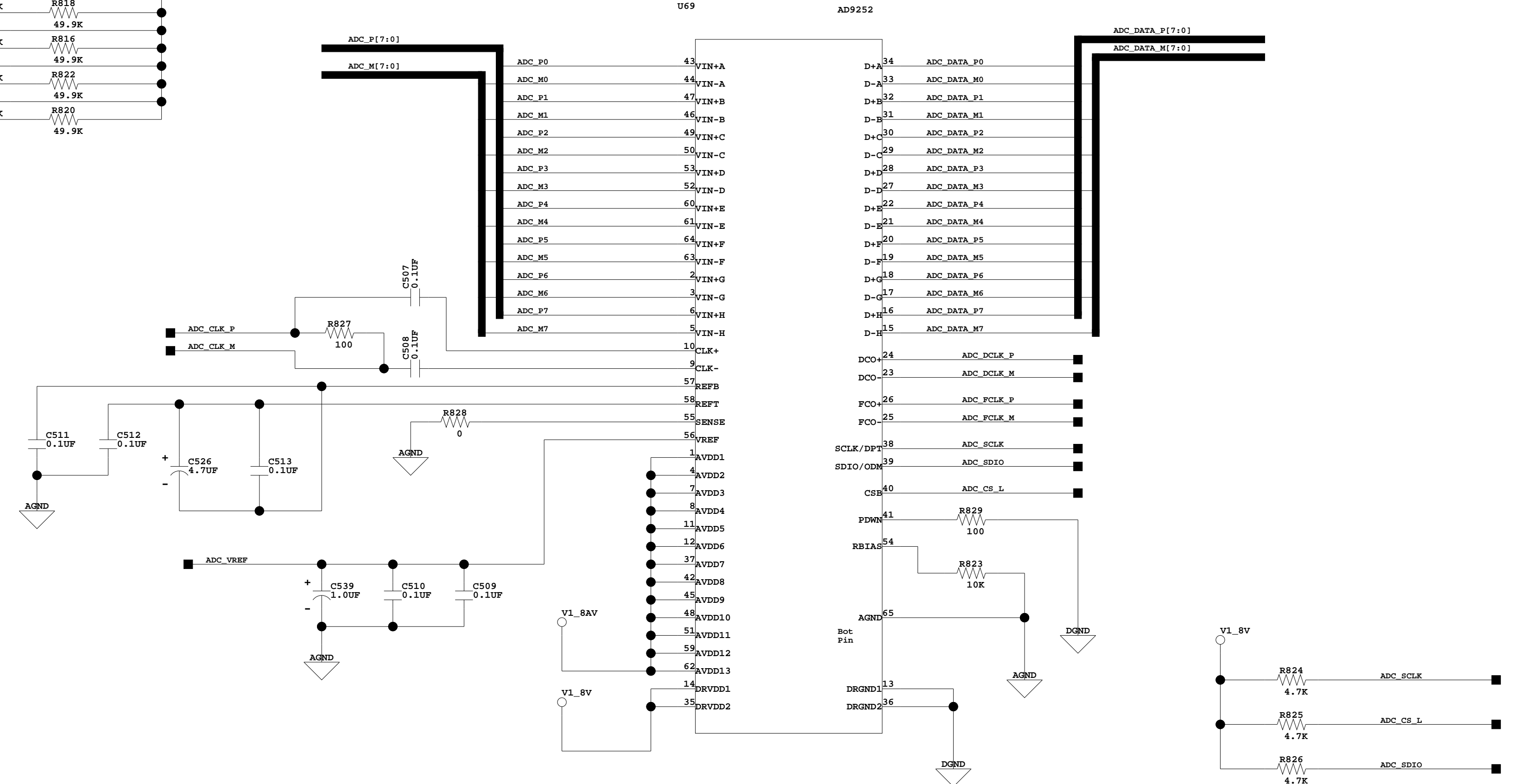
HEAVY P TRACKER RTM BOARD
ADC BUFFERS, 8 CHANNEL

LOCATED AT SHEET 18

SD-249-901-02-C01

**ADC INPUT TERMINATION
PLACE NEAR ADC**

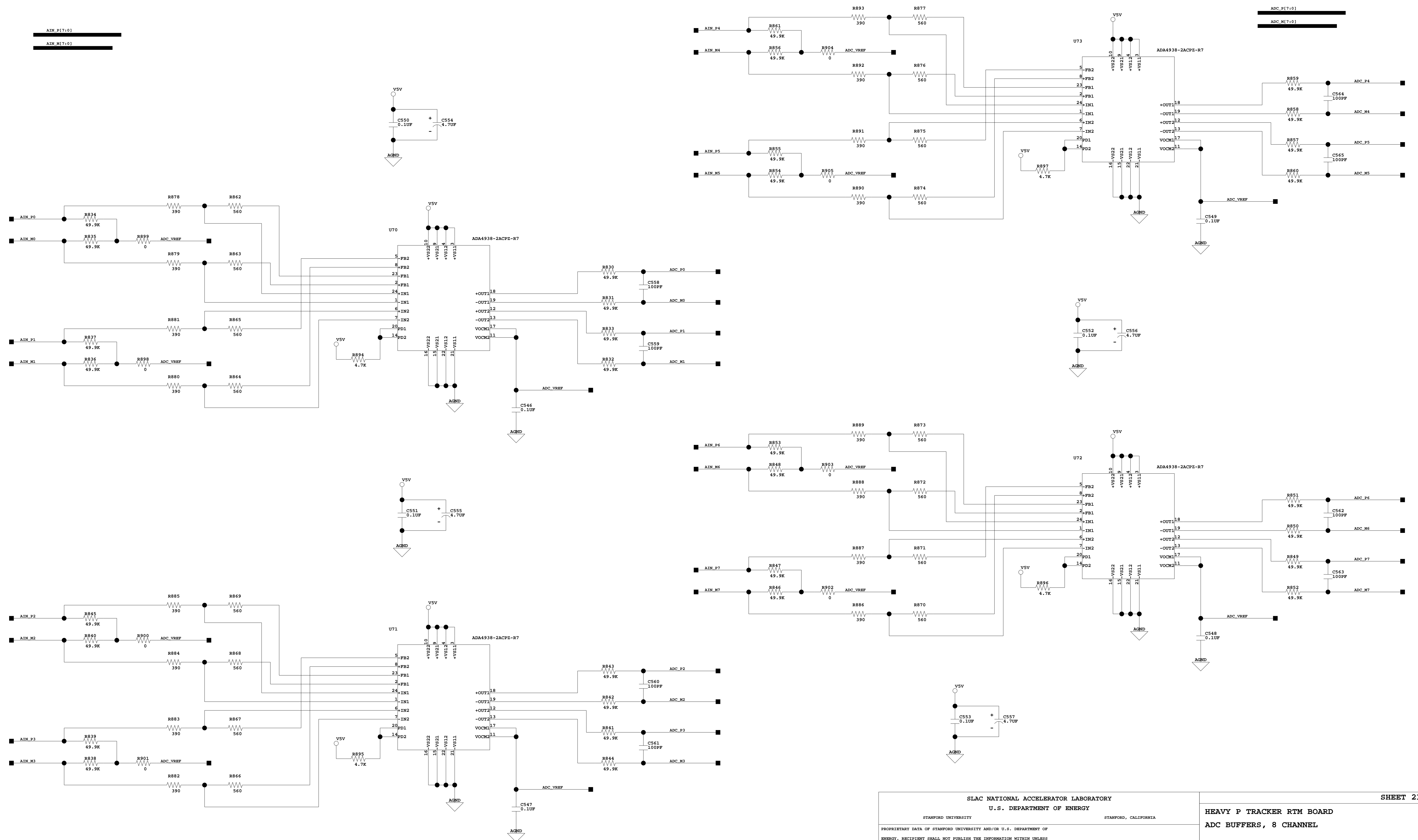
ADC_P0	R807	ADC_VREF
ADC_M0	49.9K	R808
ADC_P1	R809	49.9K
ADC_M1	49.9K	R810
ADC_P2	R813	49.9K
ADC_M2	49.9K	R814
ADC_P3	R811	49.9K
ADC_M3	49.9K	R812
ADC_P4	R817	49.9K
ADC_M4	49.9K	R818
ADC_P5	R815	49.9K
ADC_M5	49.9K	R816
ADC_P6	R821	49.9K
ADC_M6	49.9K	R822
ADC_P7	R819	49.9K
ADC_M7	49.9K	R820



11-22-2010_17:12

SLAC NATIONAL ACCELERATOR LABORATORY U.S. DEPARTMENT OF ENERGY STANFORD UNIVERSITY STANFORD, CALIFORNIA		
PROPRIETARY DATA OF STANFORD UNIVERSITY AND/OR U.S. DEPARTMENT OF ENERGY. RECIPIENT SHALL NOT PUBLISH THE INFORMATION WITHIN UNLESS GRANTED SPECIFIC PERMISSION OF STANFORD UNIVERSITY.		
INGR	Ryan Herbst	2010
DPTH		
CDRS		

SHEET 20 OF 23
HEAVY P TRACKER RTM BOARD 8 CHANNEL ADC
LOCATED AT SHEET 18 SD-249-901-02-C01



11-22-2010_17:11

SLAC NATIONAL ACCELERATOR LABORATORY U.S. DEPARTMENT OF ENERGY STANFORD UNIVERSITY STANFORD, CALIFORNIA		
PROPRIETARY DATA OF STANFORD UNIVERSITY AND/OR U.S. DEPARTMENT OF ENERGY. RECIPIENT SHALL NOT PUBLISH THE INFORMATION WITHIN UNLESS GRANTED SPECIFIC PERMISSION OF STANFORD UNIVERSITY.		
INCR	DATE	APPROVALS
DFR	2010	
CDR		

SHEET 21 OF 23

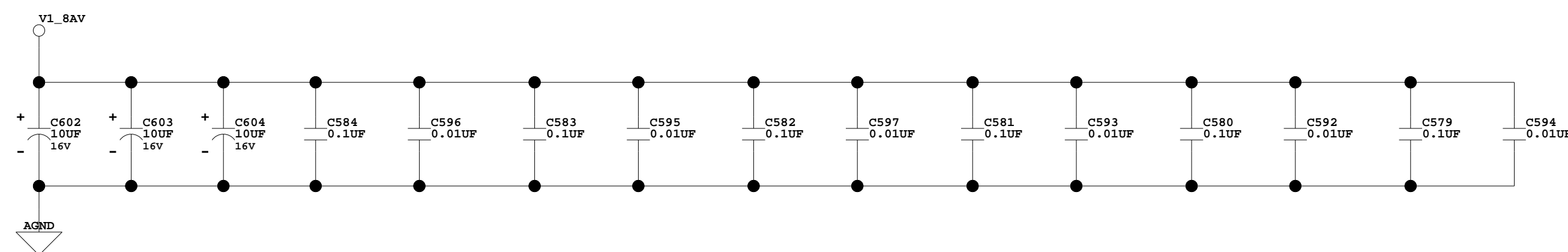
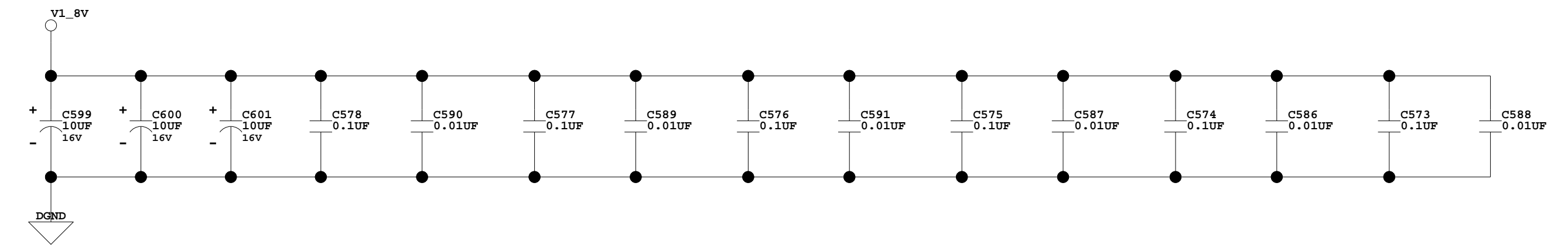
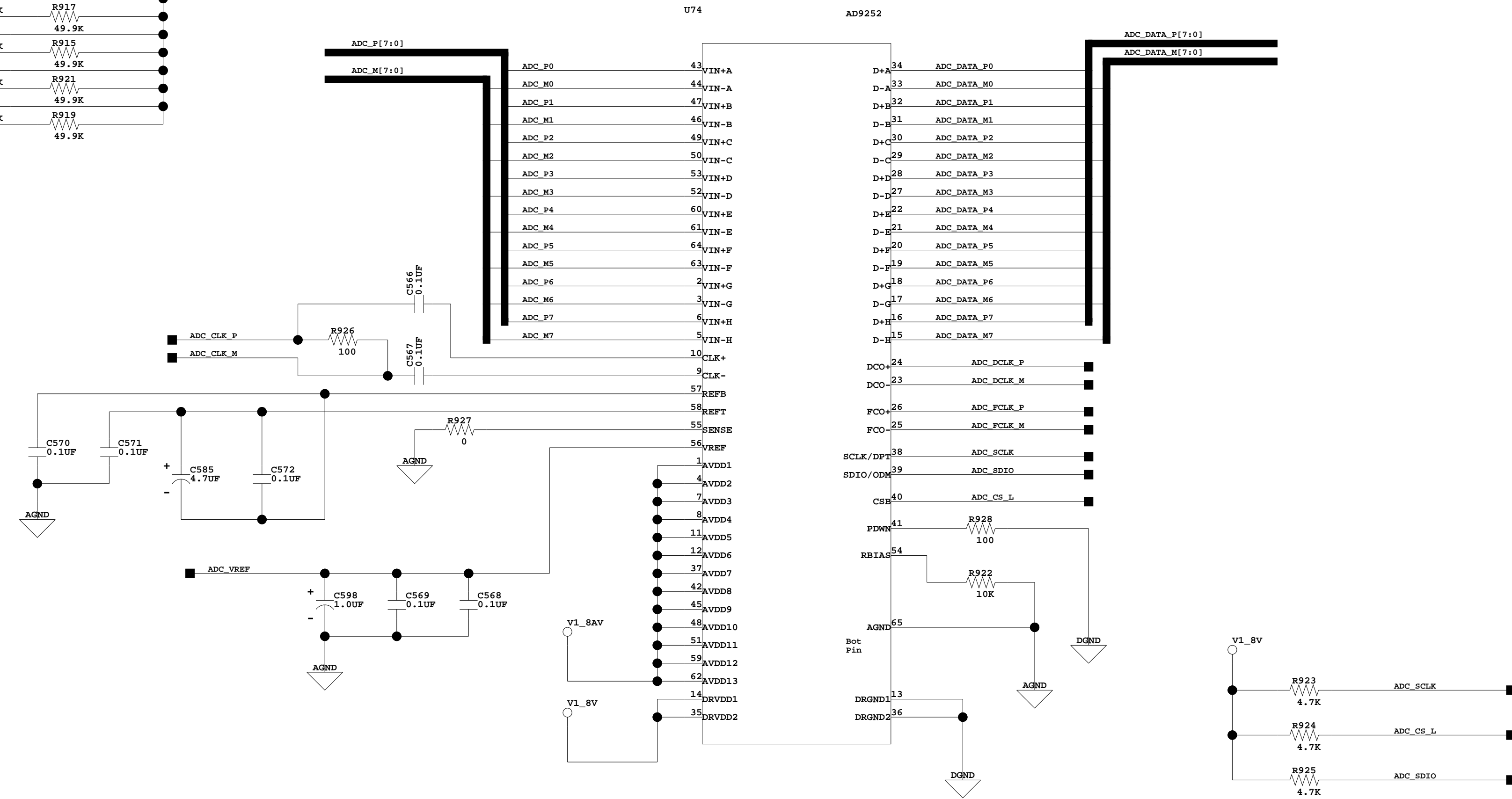
HEAVY P TRACKER RTM BOARD
ADC BUFFERS, 8 CHANNEL

LOCATED AT SHEET 18

SD-249-901-02-C01

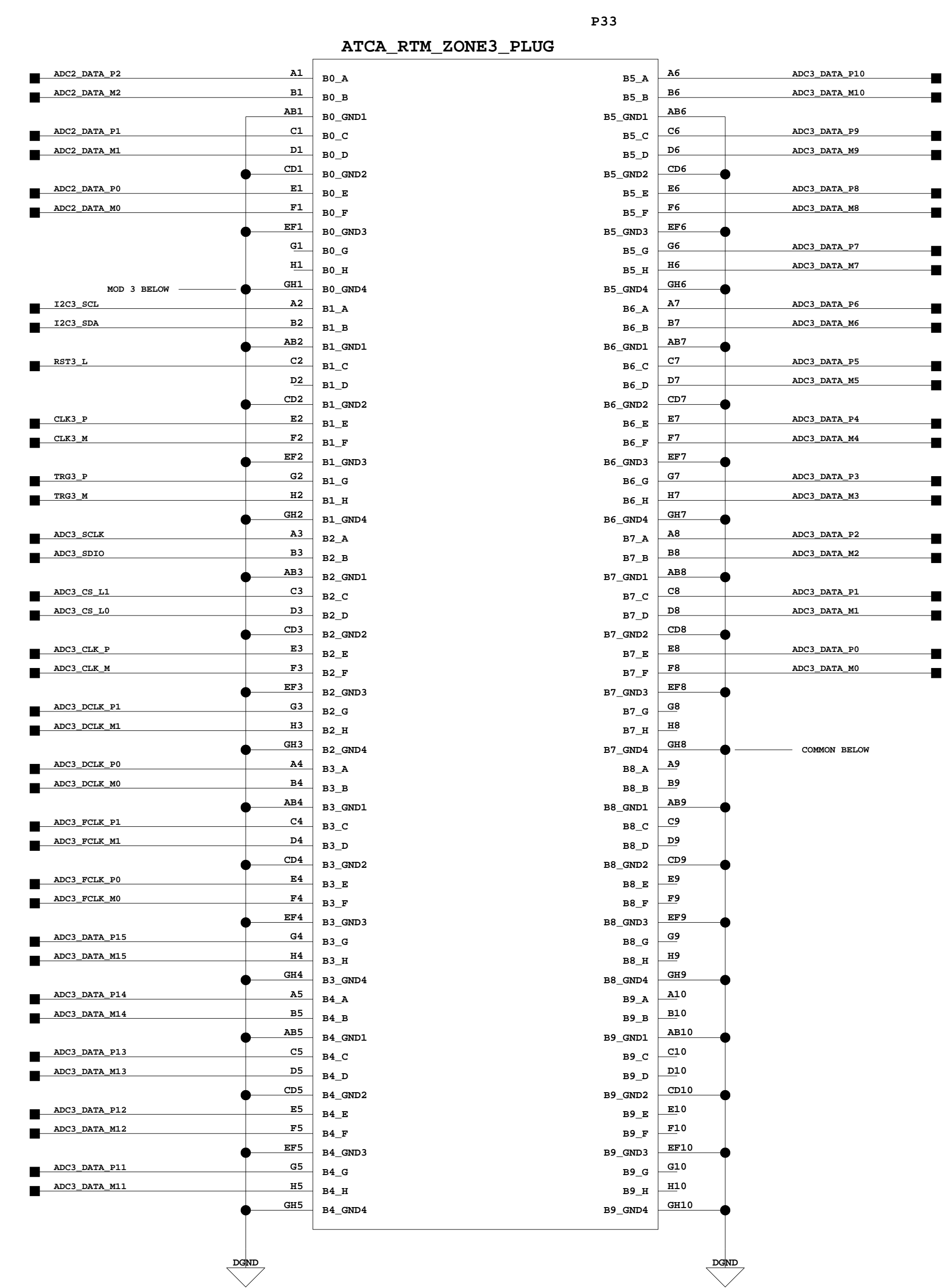
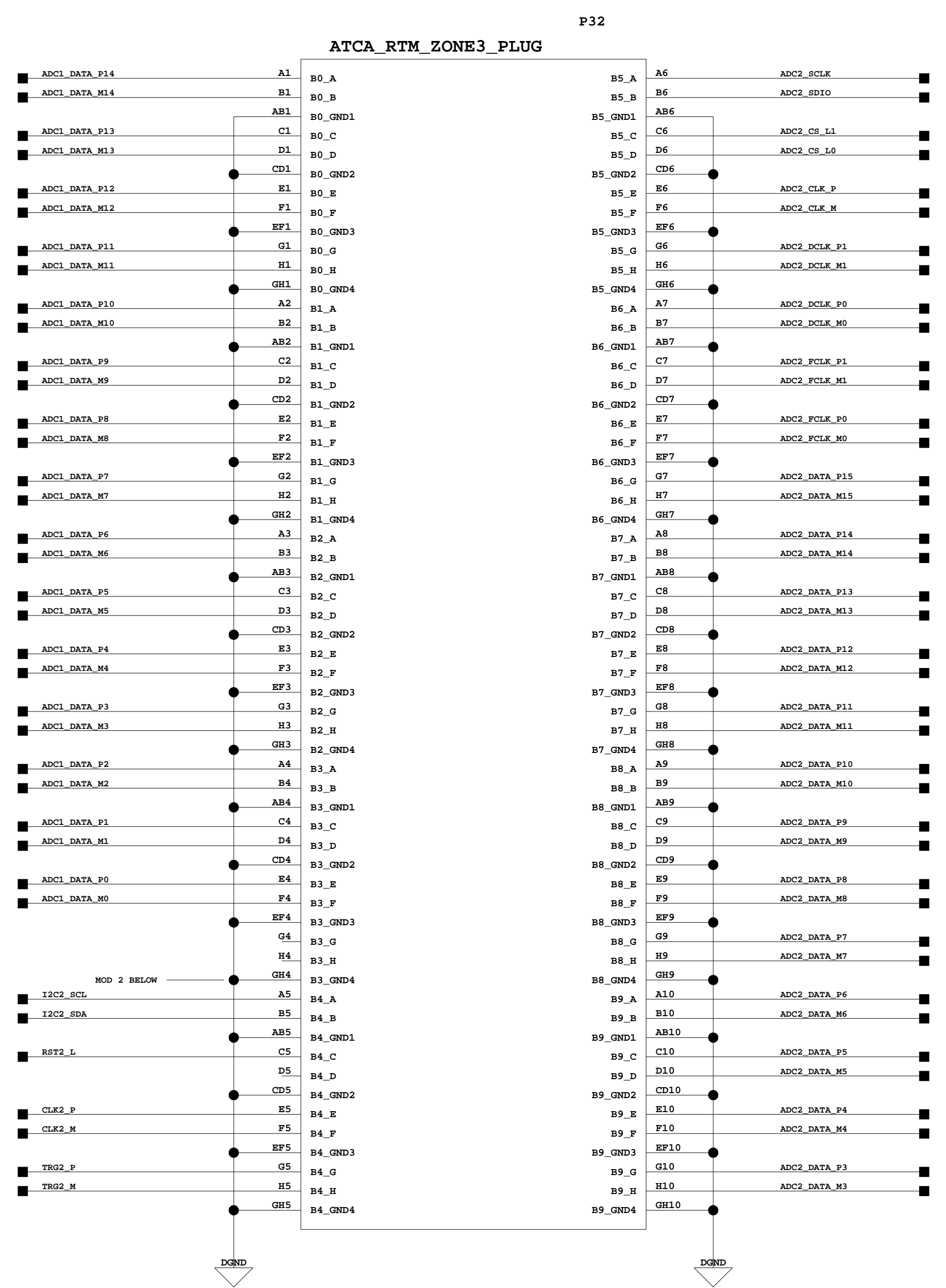
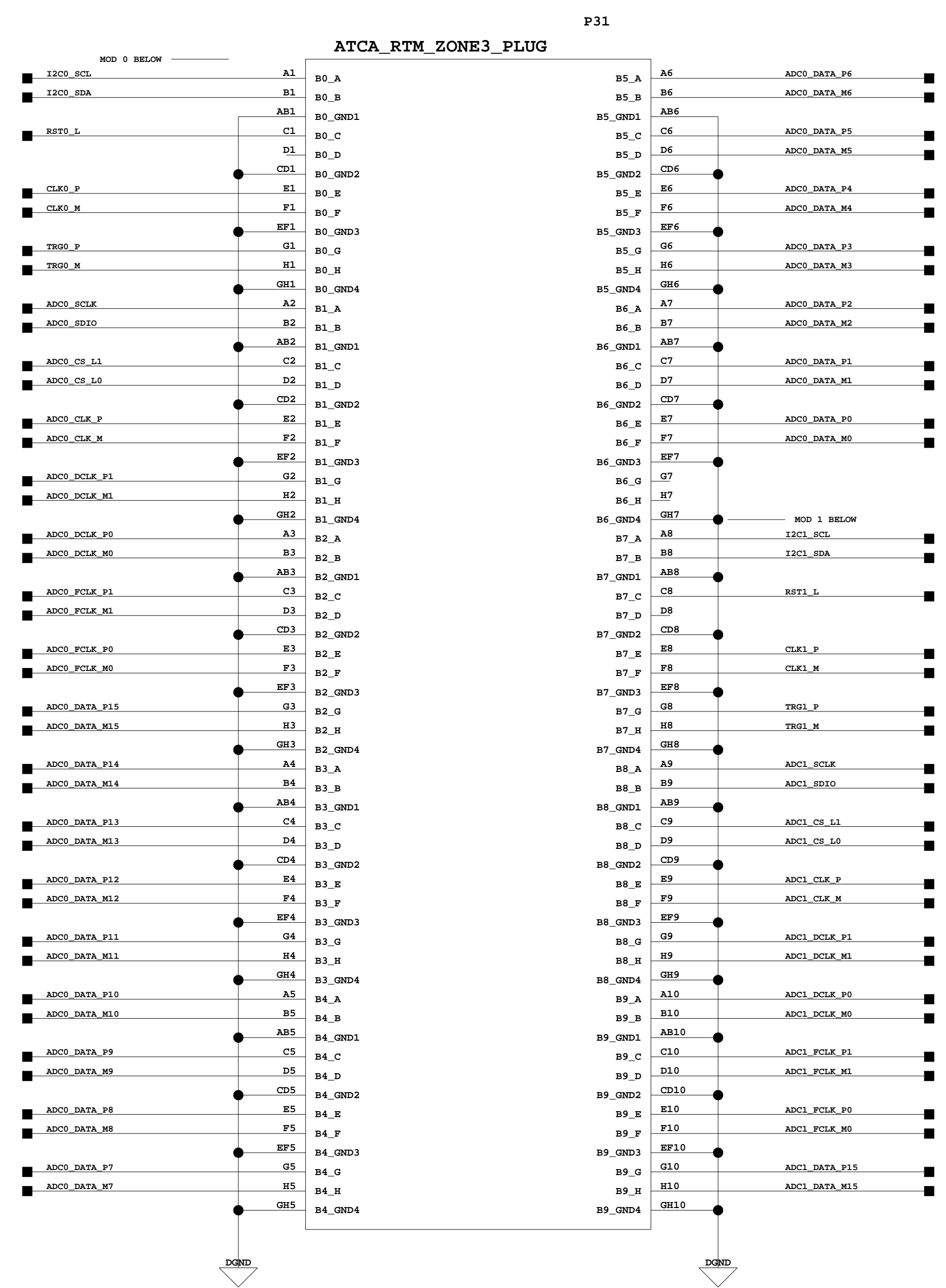
ADC INPUT TERMINATION
PLACE NEAR ADC

ADC_P0	R906	49.9K
ADC_M0	R907	49.9K
ADC_P1	R908	49.9K
ADC_M1	R909	49.9K
ADC_P2	R910	49.9K
ADC_M2	R911	49.9K
ADC_P3	R912	49.9K
ADC_M3	R913	49.9K
ADC_P4	R914	49.9K
ADC_M4	R915	49.9K
ADC_P5	R916	49.9K
ADC_M5	R917	49.9K
ADC_P6	R918	49.9K
ADC_M6	R919	49.9K
ADC_P7	R920	49.9K
ADC_M7	R921	49.9K



11-22-2010_17:12

SLAC NATIONAL ACCELERATOR LABORATORY U.S. DEPARTMENT OF ENERGY STANFORD UNIVERSITY STANFORD, CALIFORNIA		SHEET 22 OF 23
PROPRIETARY DATA OF STANFORD UNIVERSITY AND/OR U.S. DEPARTMENT OF ENERGY. RECIPIENT SHALL NOT PUBLISH THE INFORMATION WITHIN UNLESS GRANTED SPECIFIC PERMISSION OF STANFORD UNIVERSITY.		HEAVY P TRACKER RTM BOARD 8 CHANNEL ADC
INGR Ryan Herbst	DATE 2010	APPROVALS
LOCATED AT SHEET 18		SD-249-901-02-C01



- ADC[3:0].DCLK_P[1:0]
- ADC[3:0].DCLK_M[1:0]
- ADC[3:0].FCLK_P[1:0]
- ADC[3:0].FCLK_M[1:0]
- ADC[3:0].DATA_P[15:0]
- ADC[3:0].DATA_M[15:0]
- I2C[3:0].SCL
- I2C[3:0].SDA
- RST[3:0].L
- CLK[3:0].P
- CLK[3:0].M
- TRG[3:0].P
- TRG[3:0].M
- ADC[3:0].SCLK
- ADC[3:0].SDIO
- ADC[3:0].CS_L[1:0]
- ADC[3:0].CLK_P
- ADC[3:0].CLK_M

11-22-2010_17:03

SLAC NATIONAL ACCELERATOR LABORATORY
U.S. DEPARTMENT OF ENERGY

STANFORD UNIVERSITY STANFORD, CALIFORNIA

PROPRIETARY DATA OF STANFORD UNIVERSITY AND/OR U.S. DEPARTMENT OF ENERGY. RECIPIENT SHALL NOT PUBLISH THE INFORMATION WITHIN UNLESS GRANTED SPECIFIC PERMISSION OF STANFORD UNIVERSITY.

INGR	DATE	APPROVALS
Ryan Herbat	2010	

SHEET 23 OF 23

HEAVY P TRACKER RTM BOARD
ZONE 3 CONNECTOR

LOCATED AT SHEET 1

SD-249-901-02-C01