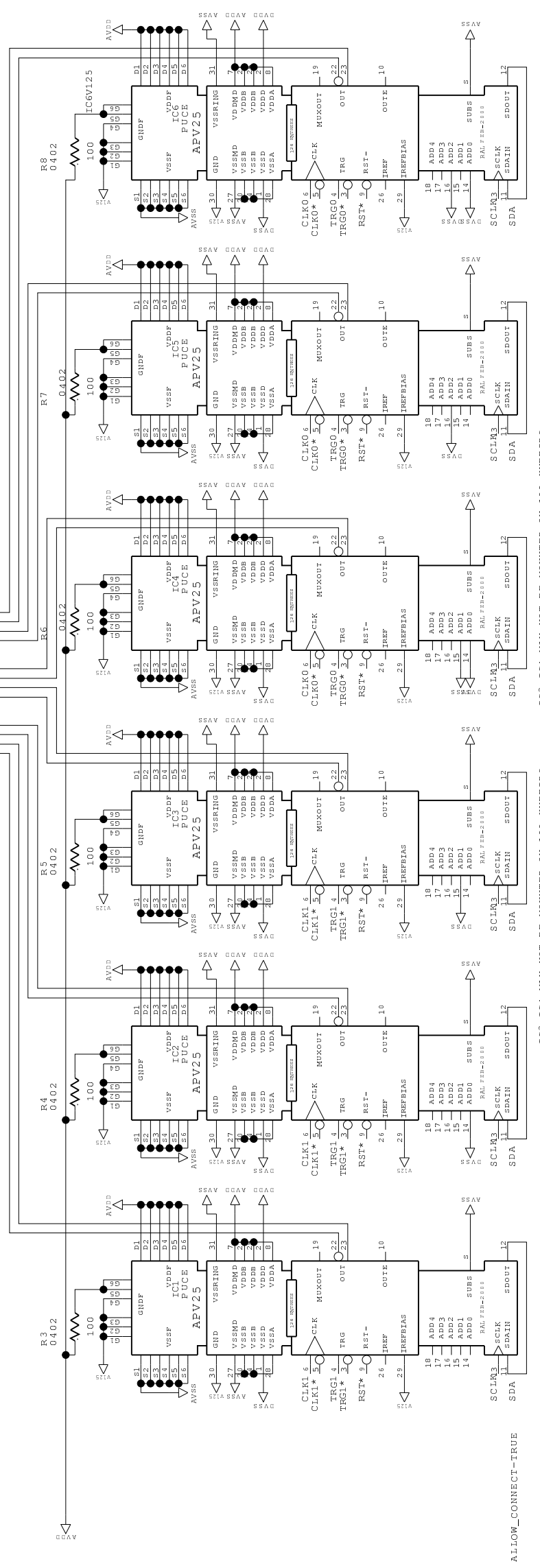
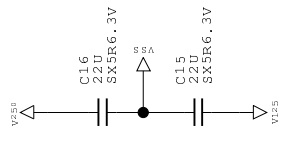


REVISIONS

02-12-2002 : CLONED FROM CMS_TEC_UP_DOWN_V11

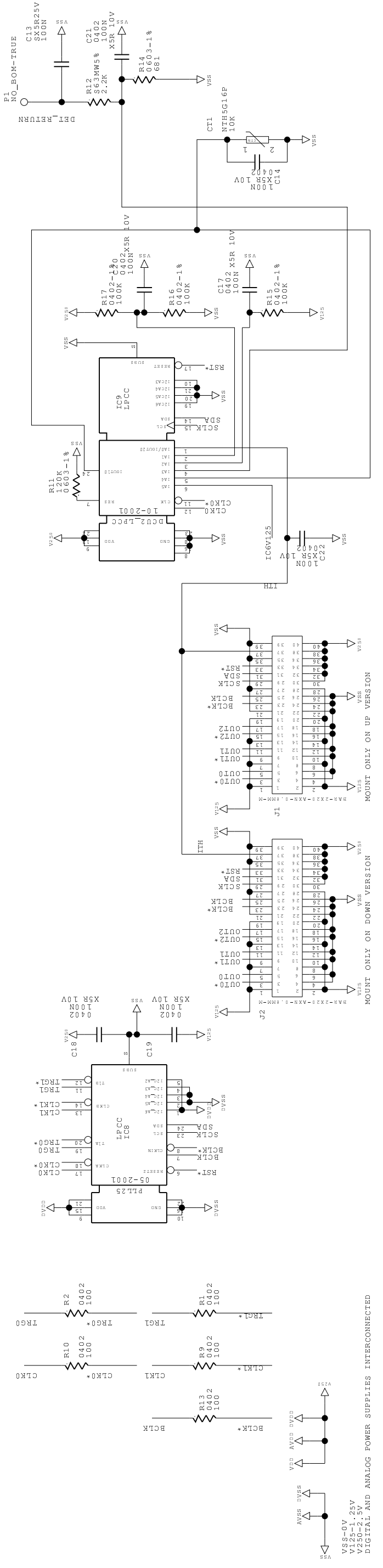
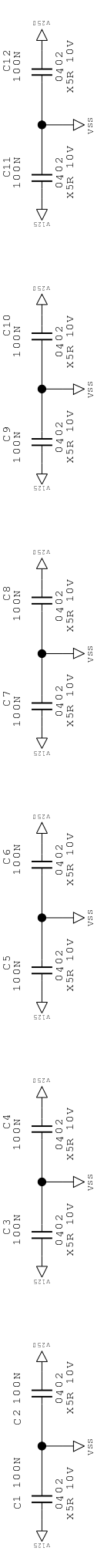


IC3 IC4 MAY NOT BE MOUNTED ON ALL HYBRIDS

IC3 IC4 MAY NOT BE MOUNTED ON ALL HYBRIDS

IC3 IC4 MAY NOT BE MOUNTED ON ALL HYBRIDS

ALLOW_CONNECT=TRUE



VSS=0V
VDD=1.5V
VDDIO=1.8V
DIGITAL AND ANALOG SUPPLIES INTERCONNECTED

MOUNT ONLY ON UP VERSION

MOUNT ONLY ON DOWN VERSION

MOUNT ONLY ON UP VERSION

MOUNT ONLY ON DOWN VERSION