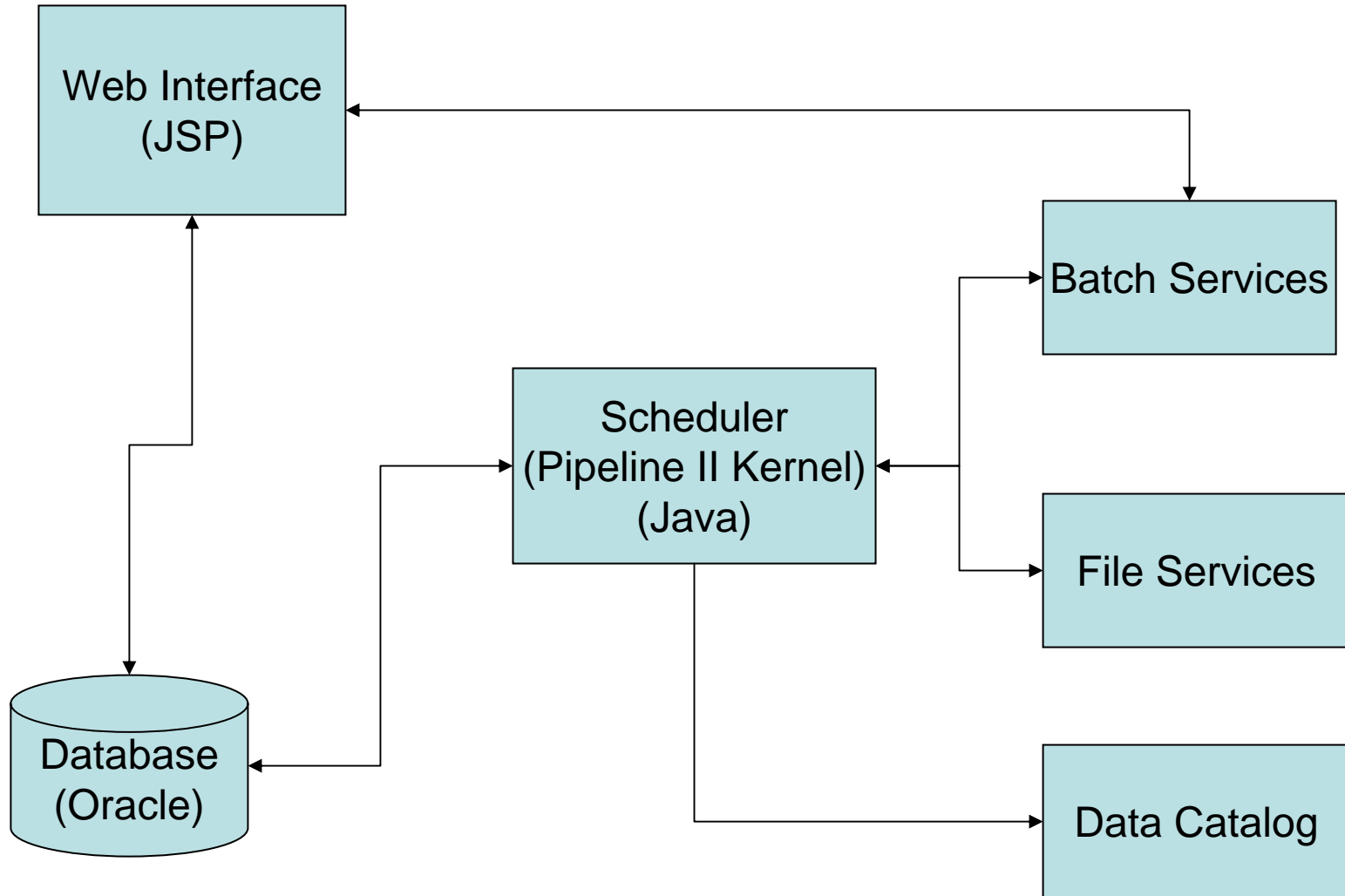
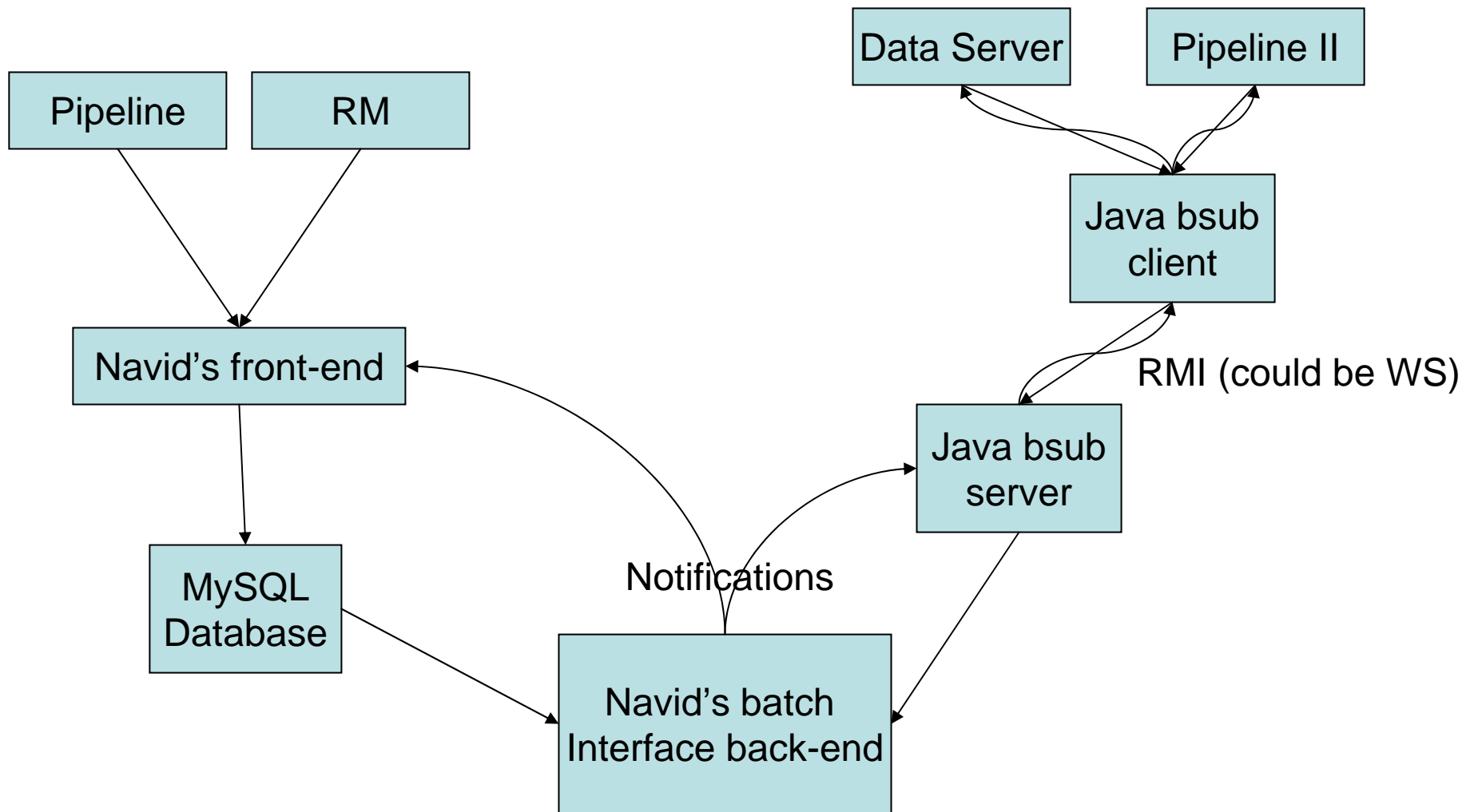


Pipeline II Components



Combining Navid + Java batch submission?



File Services

- What does it do?
 - Allocate space for job output
 - Data files
 - Log files
 - Other?
 - Should be smart enough to group files from same task into same disk where possible
 - Allow for interaction with file system
 - Check if file exists
 - Find size of file
 - Find out about file internals (e.g. number of events in file?)
 - Delete files?
- How Implemented?
 - Perl, Python?
 - Communications? Web Service?