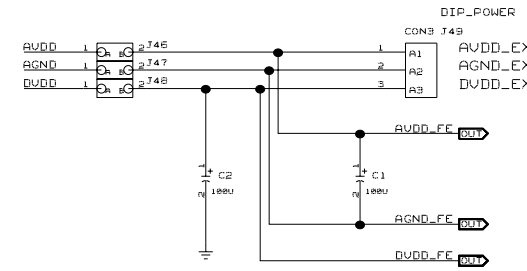
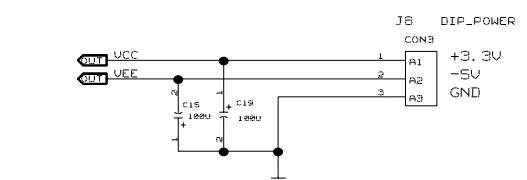
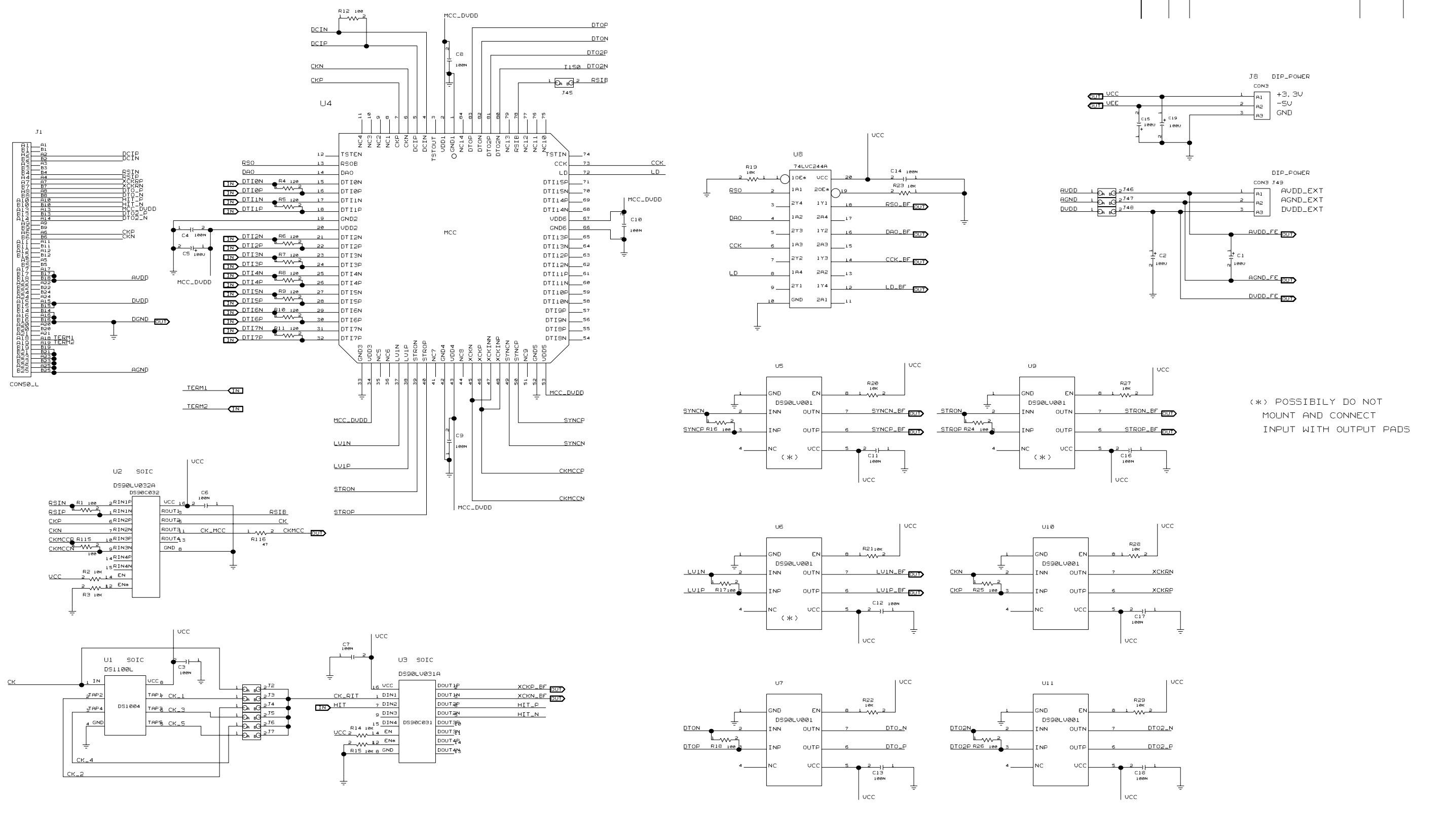


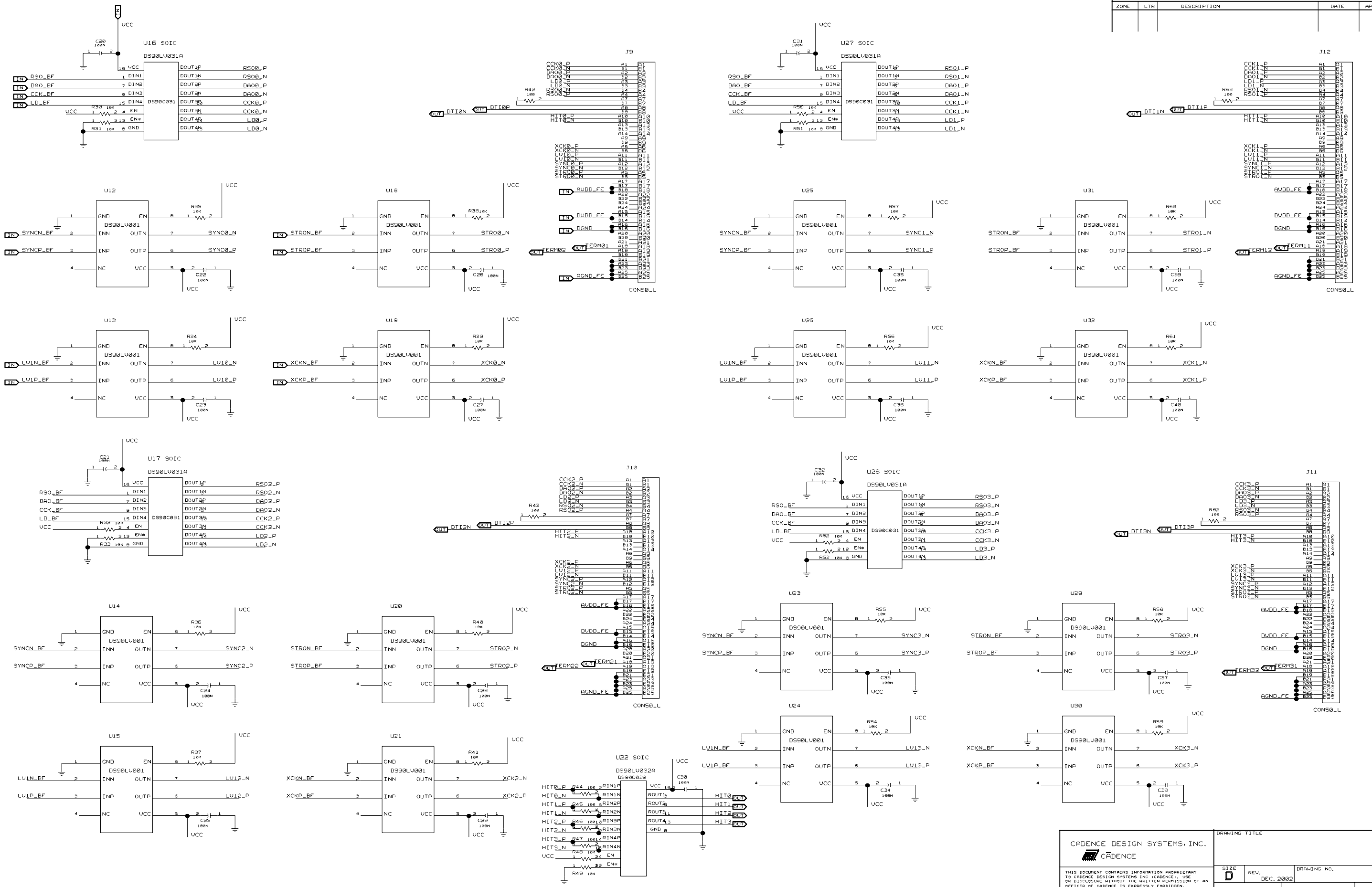
| REVISIONS | | | | |
|-----------|-----|-------------|------|----------|
| ZONE | LTR | DESCRIPTION | DATE | APPROVED |
| | | | | |



(*) POSSIBLY DO NOT MOUNT AND CONNECT INPUT WITH OUTPUT PADS

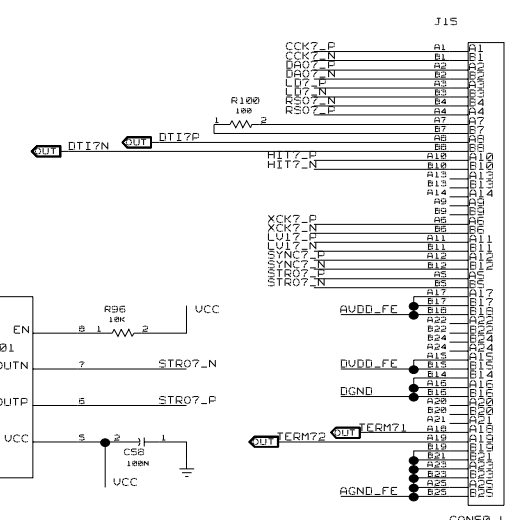
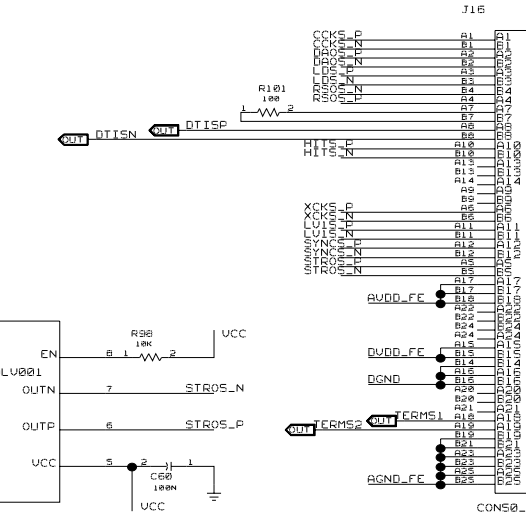
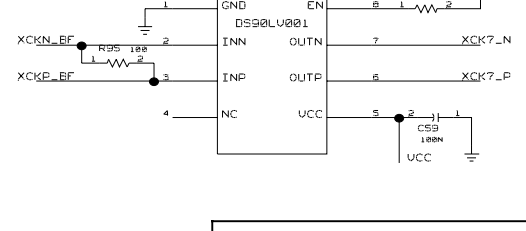
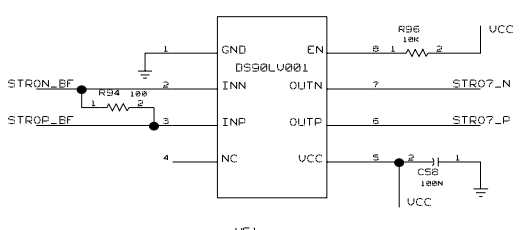
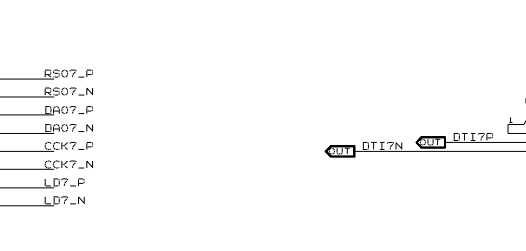
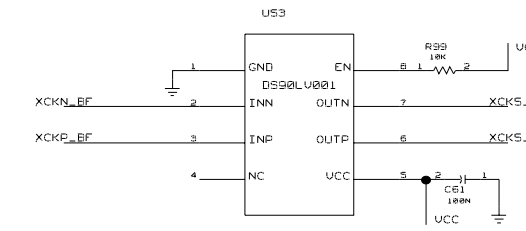
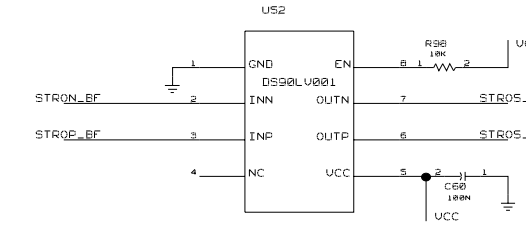
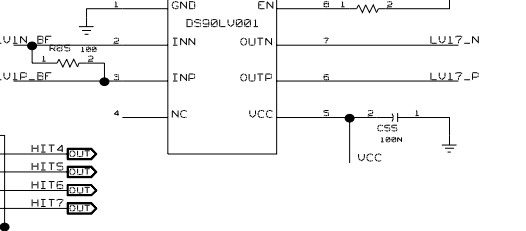
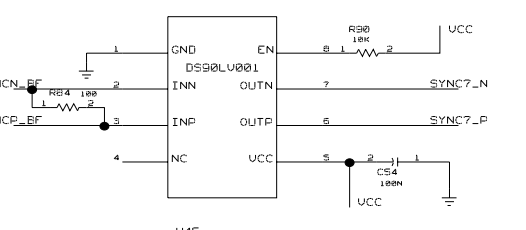
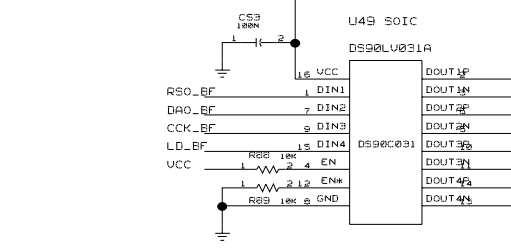
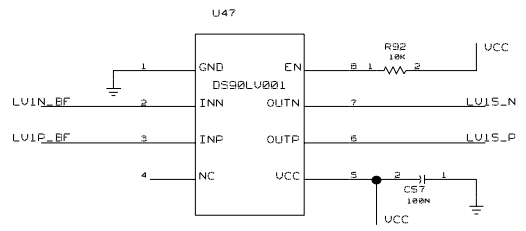
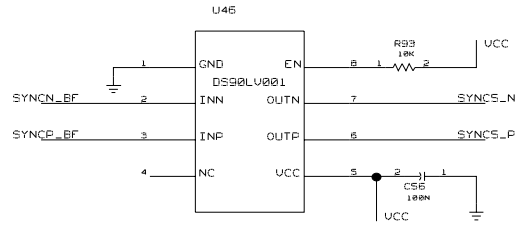
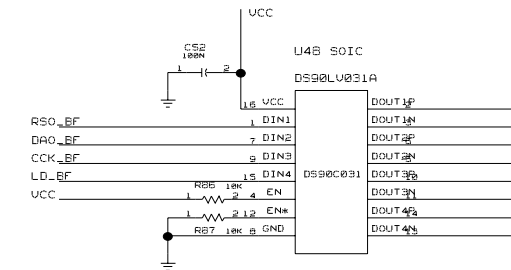
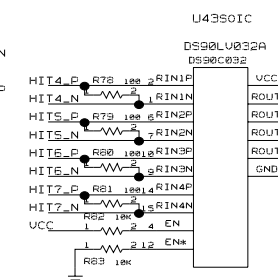
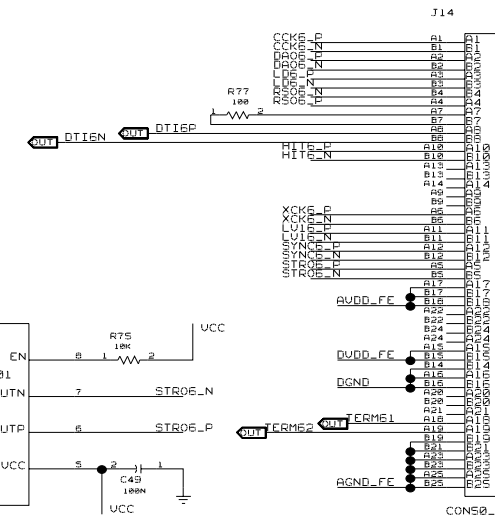
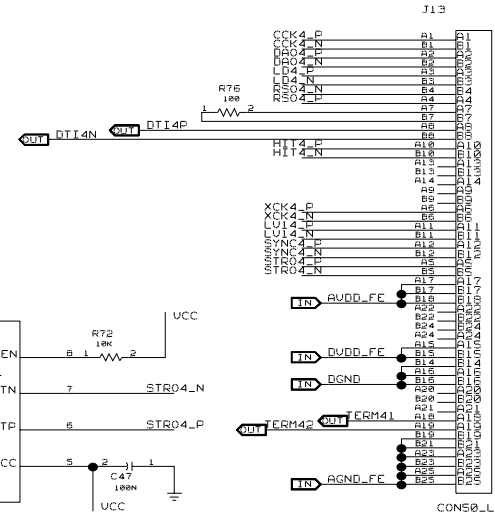
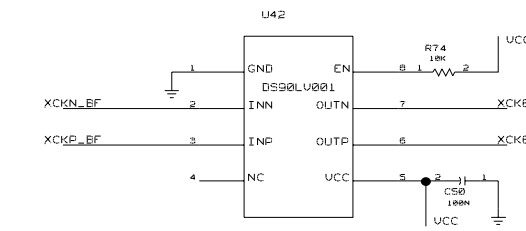
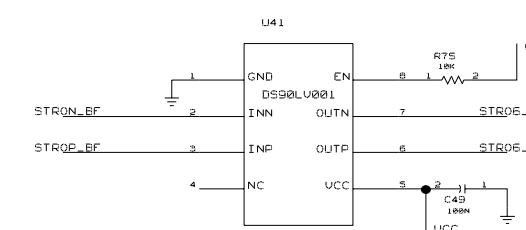
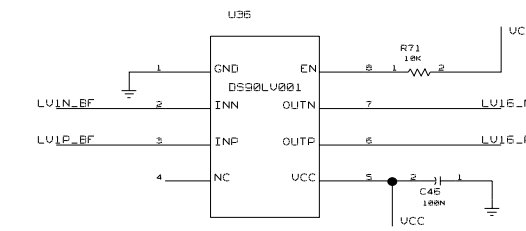
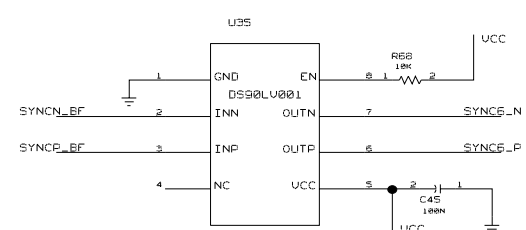
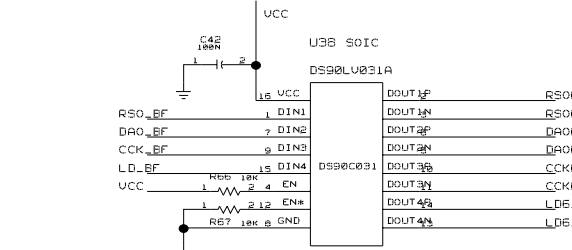
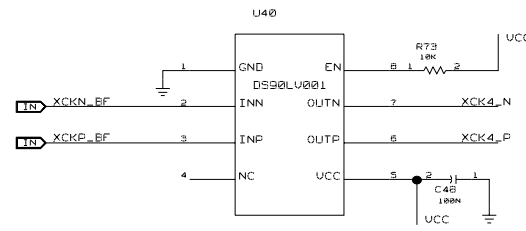
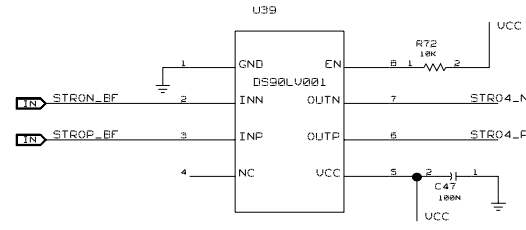
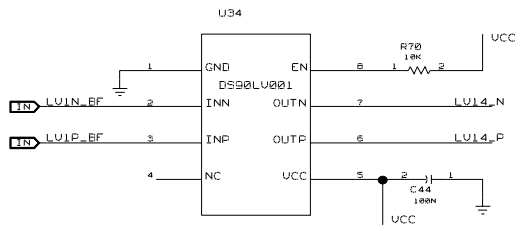
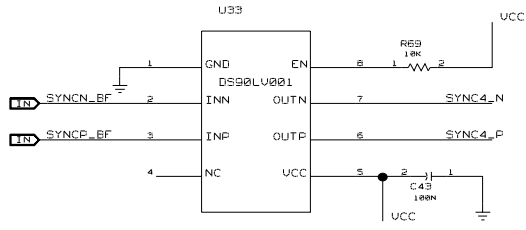
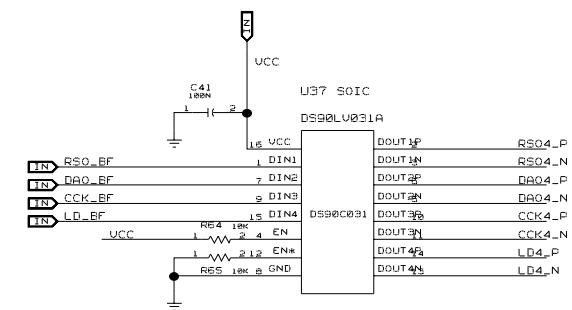
| | | | |
|--|--|---------------|-------------------|
| CADENCE DESIGN SYSTEMS, INC. | | DRAWING TITLE | |
| CADENCE | | | |
| THIS DOCUMENT CONTAINS INFORMATION PROPRIETARY TO CADENCE DESIGN SYSTEMS, INC. (CADENCE). USE OR DISCLOSURE WITHOUT THE WRITTEN PERMISSION OF AN OFFICER OF CADENCE IS EXPRESSLY FORBIDDEN. COPYRIGHT © CADENCE 1998 | | SIZE D | REV. DEC. 2002 |
| SCALE | | CARIELLO | SHEET 1 OF 4 |

| REVISIONS | | | | |
|-----------|-----|-------------|------|----------|
| ZONE | LTR | DESCRIPTION | DATE | APPROVED |
| | | | | |



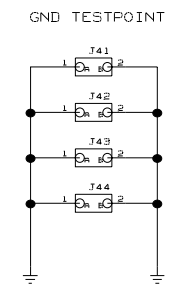
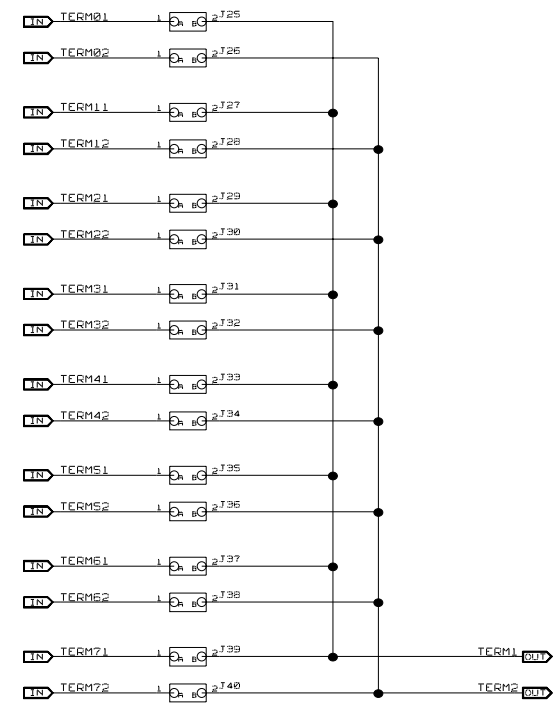
| | | | |
|--|------------------|-------------------|-------------------------|
| CADENCE DESIGN SYSTEMS, INC. | | DRAWING TITLE | |
| THIS DOCUMENT CONTAINS INFORMATION PROPRIETARY TO CADENCE DESIGN SYSTEMS, INC. (CADENCE). USE OR DISCLOSURE WITHOUT THE WRITTEN PERMISSION OF AN OFFICER OF CADENCE IS EXPRESSLY FORBIDDEN. COPYRIGHT © CADENCE 1998 | SIZE D | REV. DEC, 2002 | DRAWING NO. CARIELLO |
| SCALE | CARIELLO | SHEET 2 OF 4 | |

| REVISIONS | | | | |
|-----------|-----|-------------|------|----------|
| ZONE | LTR | DESCRIPTION | DATE | APPROVED |
| | | | | |

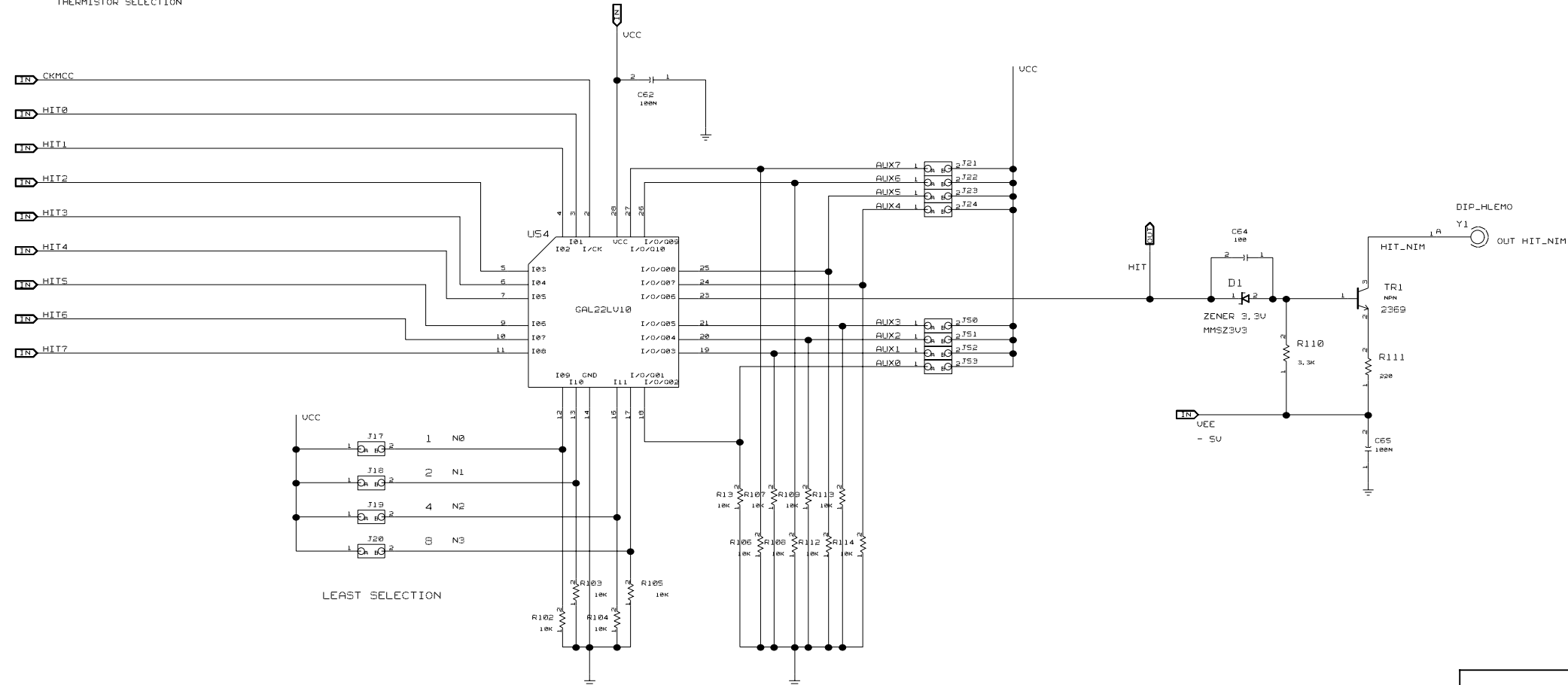


| | | | |
|--|------------------|-------------------|-------------------------|
| CADENCE DESIGN SYSTEMS, INC. | | DRAWING TITLE | |
| THIS DOCUMENT CONTAINS INFORMATION PROPRIETARY TO CADENCE DESIGN SYSTEMS INC. (CADENCE). USE OR DISCLOSURE WITHOUT THE WRITTEN PERMISSION OF AN OFFICER OF CADENCE IS EXPRESSLY FORBIDDEN. COPYRIGHT © 1998 CADENCE. | SIZE D | REV. DEC, 2002 | DRAWING NO. CARIELLO |
| SCALE | | SHEET 3 OF 4 | |

| REVISIONS | | | | |
|-----------|-----|-------------|------|----------|
| ZONE | LTR | DESCRIPTION | DATE | APPROVED |
| | | | | |
| | | | | |
| | | | | |



THERMISTOR SELECTION



LEAST SELECTION

| | | | |
|--|------------------|-------------------|-------------|
| CADENCE DESIGN SYSTEMS, INC. | | DRAWING TITLE | |
| | | | |
| THIS DOCUMENT CONTAINS INFORMATION PROPRIETARY TO CADENCE DESIGN SYSTEMS INC (CADENCE). USE OR DISCLOSURE WITHOUT THE WRITTEN PERMISSION OF AN OFFICER OF CADENCE IS EXPRESSLY FORBIDDEN. COPYRIGHT (C) CADENCE 1998 | SIZE D | REV. DEC. 2002 | DRAWING NO. |
| SCALE | CARIELLO | SHEET 4 OF 4 | |