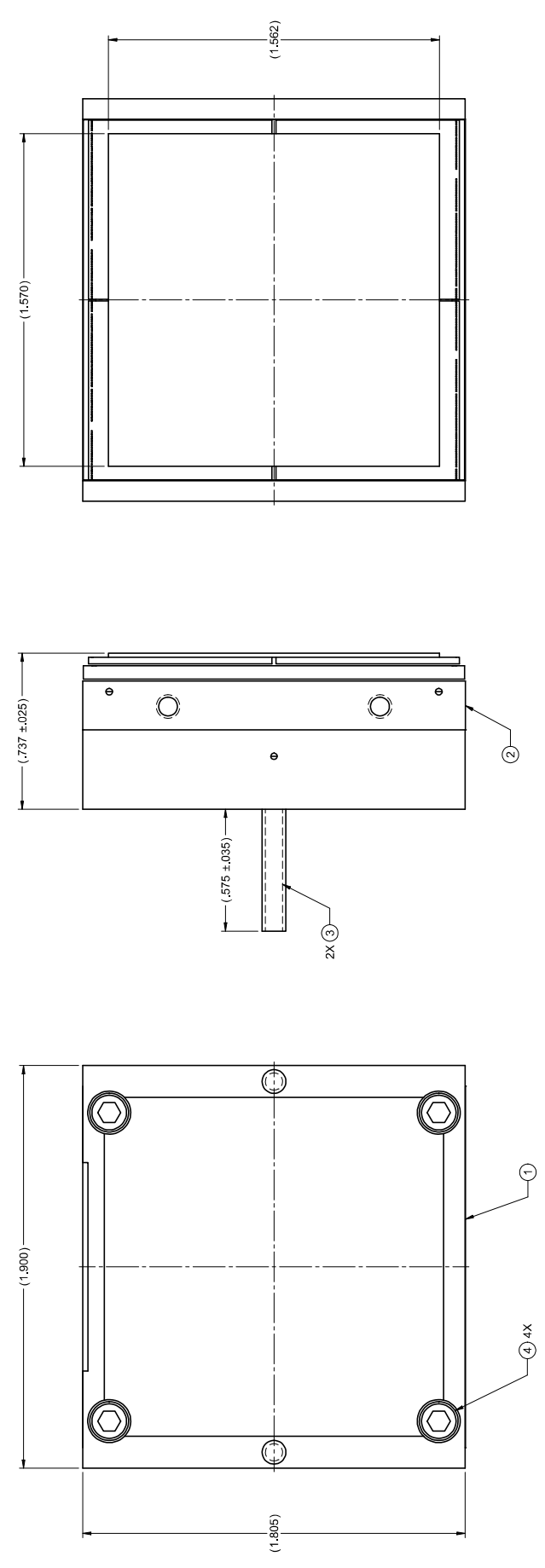


REV	0	90°25'-16°-VS	DESCRIPTION	DWNCHKR	APPY	DATE



ITEM	STOCK OR PART NO	TITLE OR DESCRIPTION	QTY
4	McMASTER-CARR 92185A107	SCREW, CAP, HEX SCH, 4-40 X, 3/12 L, 316 SS1	4
3	PF-391-542-17	MODIFIED STUD	2
2	SA-391-542-07	CHIP ASSY	1
1	PF-391-542-12	STANDOFF COLD PLATE	1

ESTIMATED MASS: .197 LB	CAD FILE NAME: sa3915420r04.jfl
SCALE: 4:1	SCALE: 4:1
THICKNESS AND TYP. FINISHES BY RAW	THICKNESS AND TYP. FINISHES BY RAW
UNLESS OTHERWISE SPECIFIED	UNLESS OTHERWISE SPECIFIED
DIMENSIONS ARE IN INCHES.	DIMENSIONS ARE IN INCHES.
TOLERANCES:	TOLERANCES:
FRACTIONS ± .005	FRACTIONS ± .005
DECIMALS ± .005	DECIMALS ± .005
ANGLES ± .5°	ANGLES ± .5°
ALL SURF. ✓	ALL SURF. ✓

SLAC U.S. DEPARTMENT OF ENERGY	LCLS DETECTORS
EPIC 100P	STANDOFF ASSY
DRAWING NUMBER: SA-391-542-06	REV: 0
REV: 0	DATE: 11/14/2008

**SLAC U.S. DEPARTMENT OF ENERGY**

**LCLS DETECTORS**

**EPIC 100P**

**STANDOFF ASSY**

DRAWING NUMBER: SA-391-542-06

REV: 0

DATE: 11/14/2008

SCALE: 4:1

THICKNESS AND TYP. FINISHES BY RAW

UNLESS OTHERWISE SPECIFIED

DIMENSIONS ARE IN INCHES.

TOLERANCES:

FRACTIONS ± .005

DECIMALS ± .005

ANGLES ± .5°

ALL SURF. ✓

SLAC U.S. DEPARTMENT OF ENERGY

VACUUM LEVEL 5

SPECIFICATION

SLAC-I-720-04-008-00

APPLIES

NOTES: UNLESS OTHERWISE SPECIFIED

1. CHEMICAL CLEANING: CLEAN PER SLAC STANDARDS FOR UHV APPLICATIONS PRIOR TO ASSEMBLY.