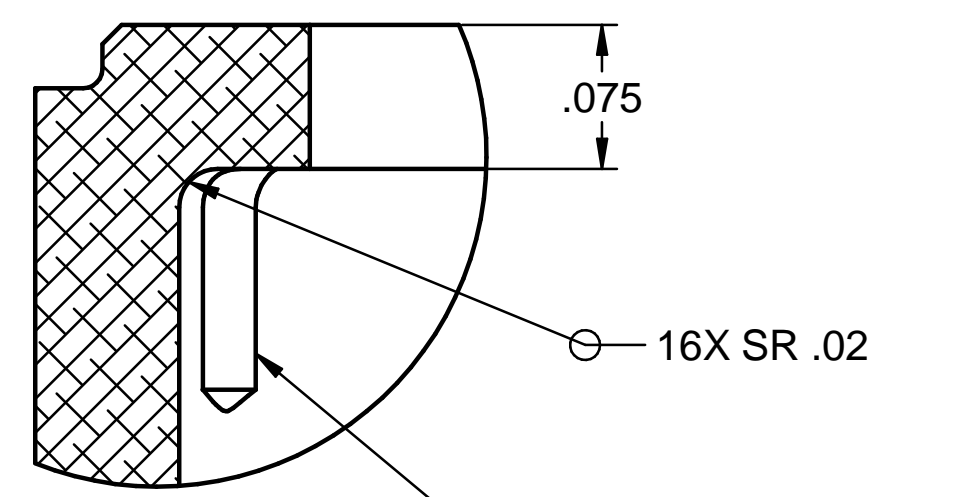
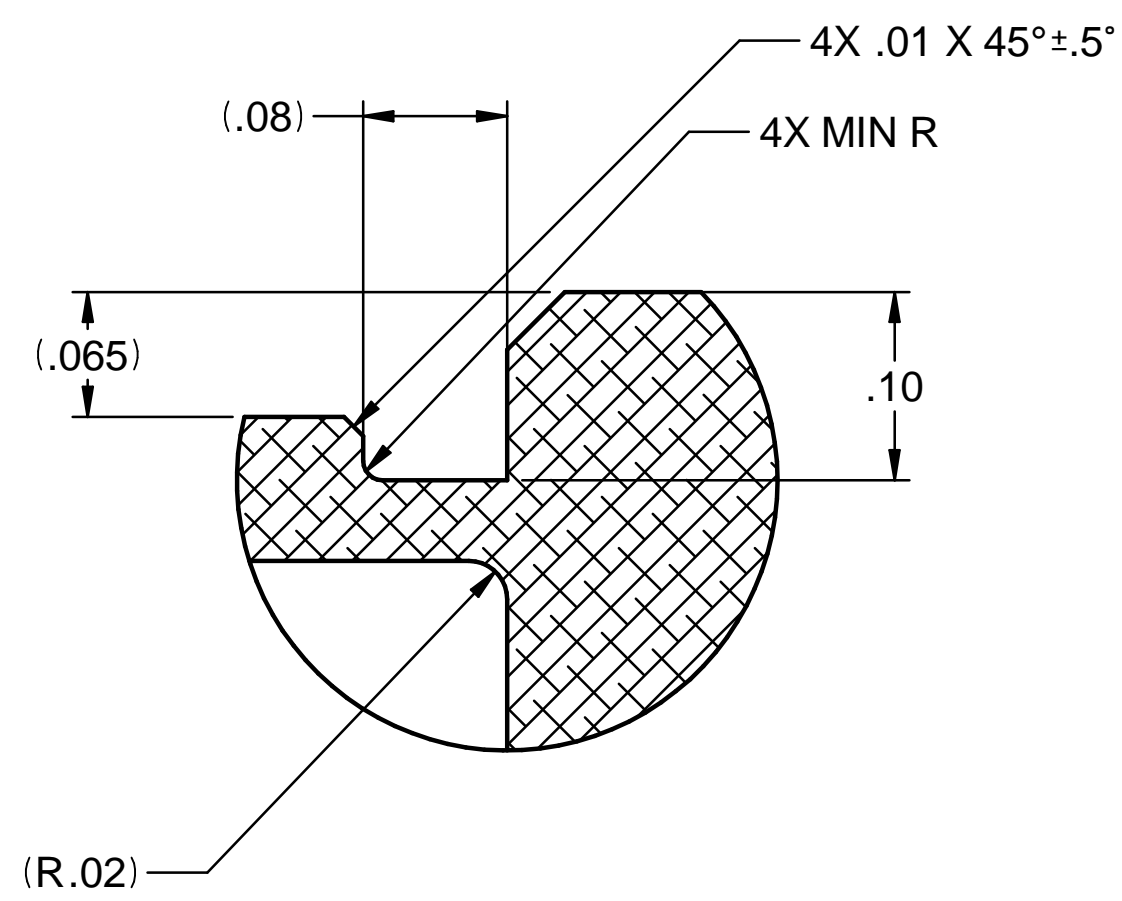


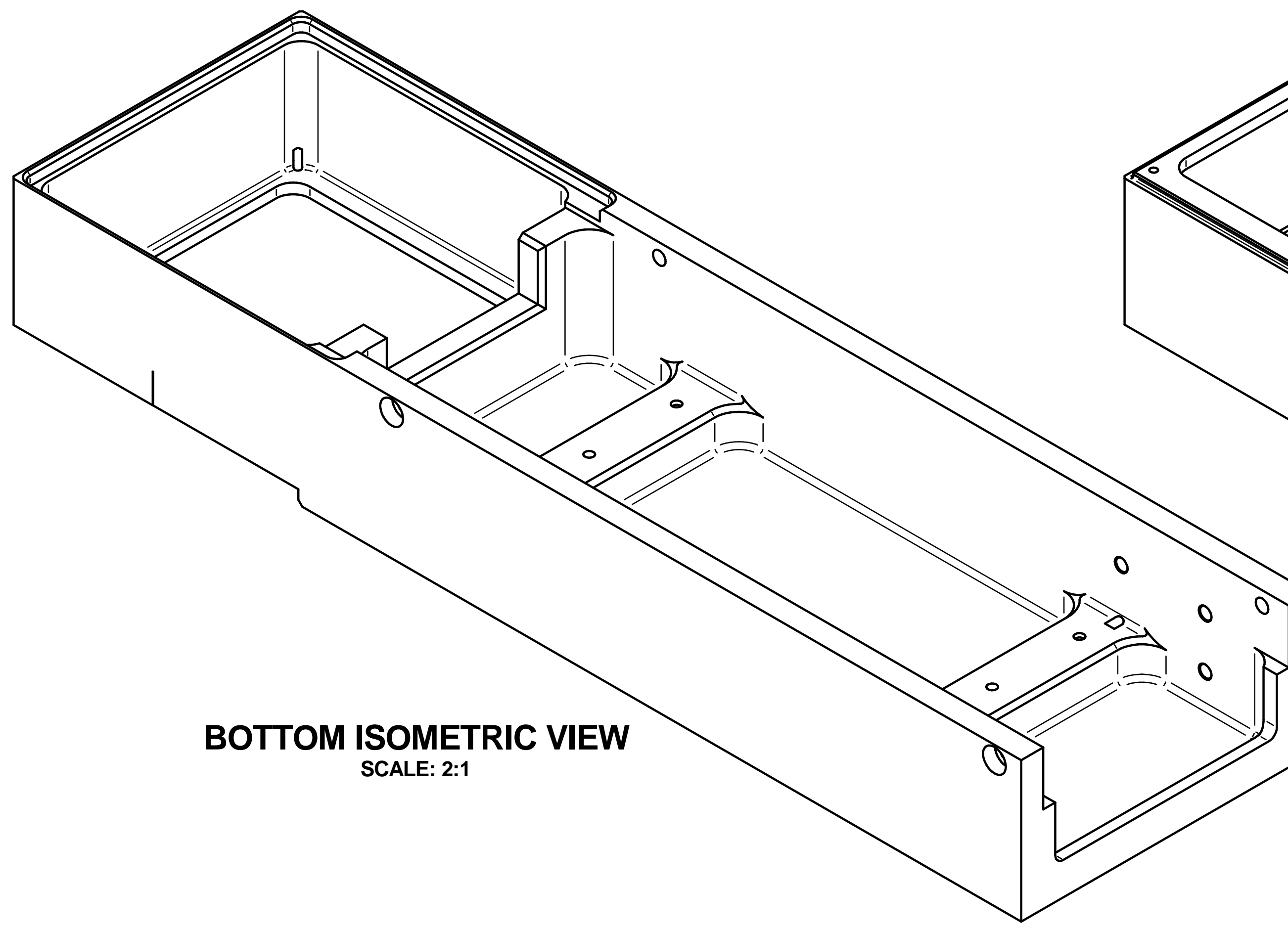
DETAIL C
(TYP AROUND SENSOR ACCESS)
SCALE: 10:1



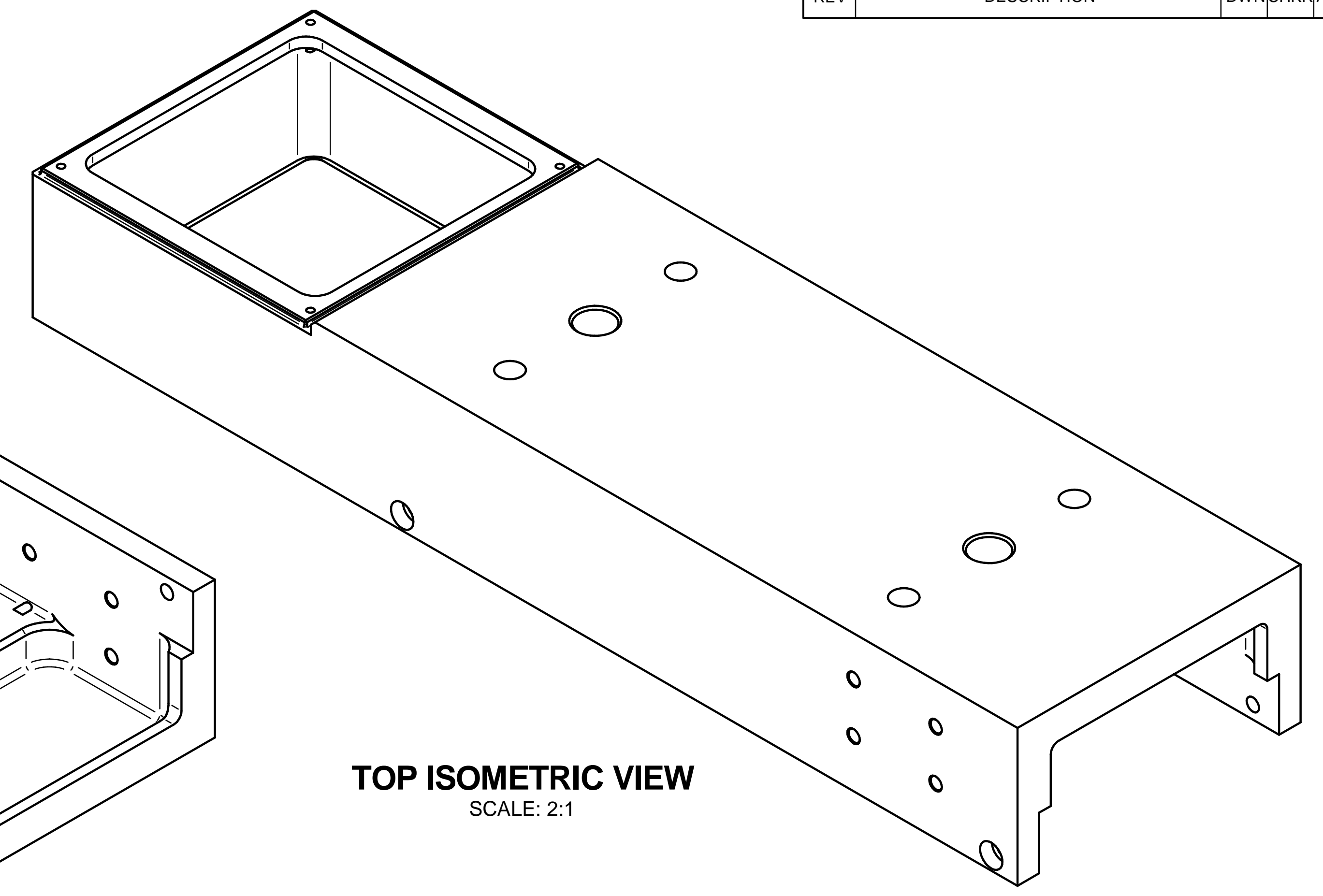
DETAIL E
SCALE: 10:1



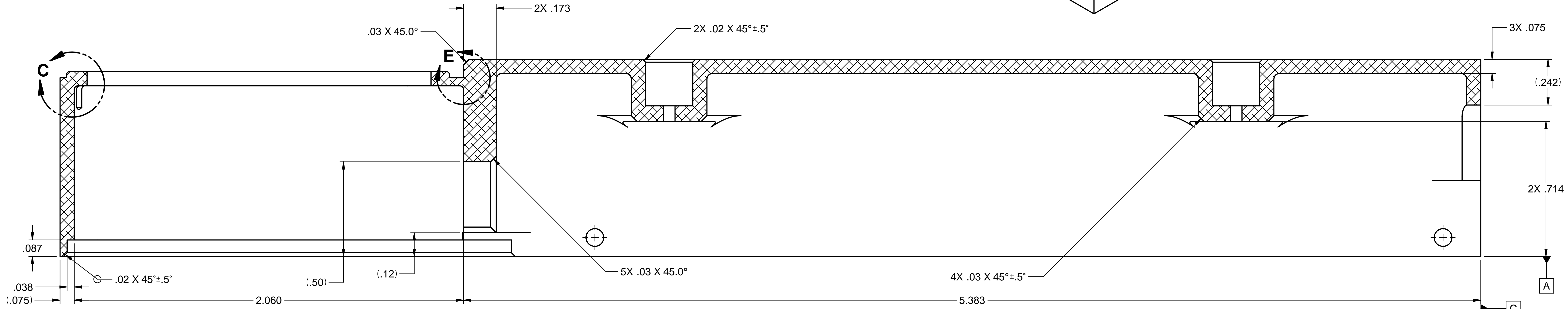
BOTTOM ISOMETRIC VIEW
SCALE: 2:1



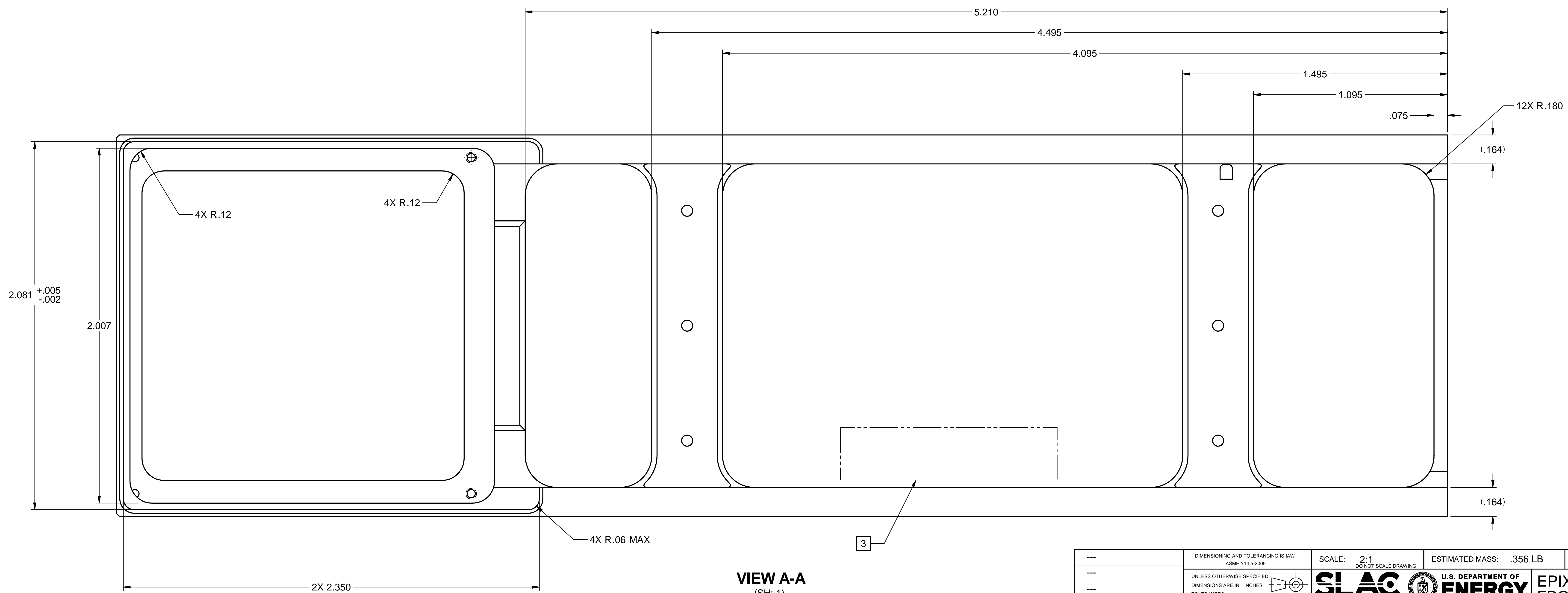
TOP ISOMETRIC VIEW
SCALE: 2:1



SECTION B-B
(SH: 1)
SCALE: 4:1



VIEW A-A
(SH: 1)
SCALE: 4:1



---	DIMENSIONING AND TOLERANCING IS IN ACCORDANCE WITH ASME Y14.5-2009	SCALE: 2:1 CUSTOMER SCALE DRAWING	ESTIMATED MASS: .356 LB	CAD FILE NAME: DSG-000054023.dft
---	UNLESS OTHERWISE SPECIFIED, DIMENSIONS ARE IN INCHES. TOLERANCES: BREAK EDGES: .005-.015 INTERNAL CORNERS R.015 MAX FRACTIONS: 1/16"	SLAC NATIONAL ACCELERATOR LABORATORY	U.S. DEPARTMENT OF ENERGY	
---	DSG-000050187	ENGR: M. ORIUNNO DWN: R. WHITNEY/GERANEN CHKR: ---	EPIX2M 90 DETECTOR FRONT COVER ASSY FRONT COVER	
---	NEXT ASSEMBLIES:	DATE: 3/23/11 APPROVALS: ---	DRAWING NUMBER: DSG-000054023	REVISION NUMBER: 00

DSG-000054023 00 E