

Noise spectral density

SparkPix-S

Pietro King

28th September 2022

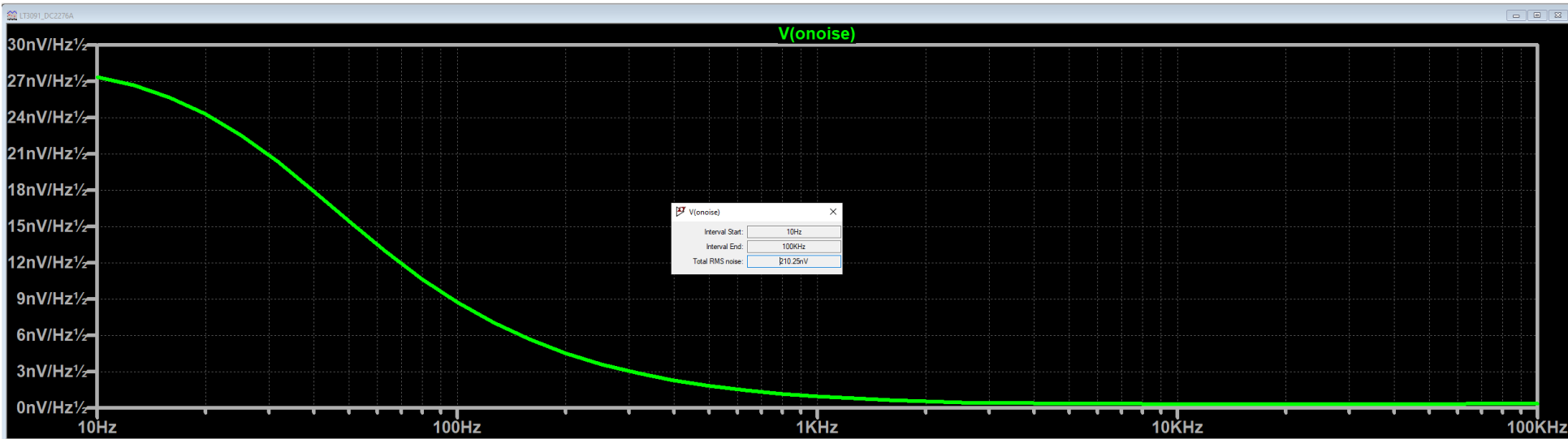
Target specifications

The target noise specification is to be about under 60 electrons of noise after the CSA.

This converts to about 20-30 μV RMS at the input.

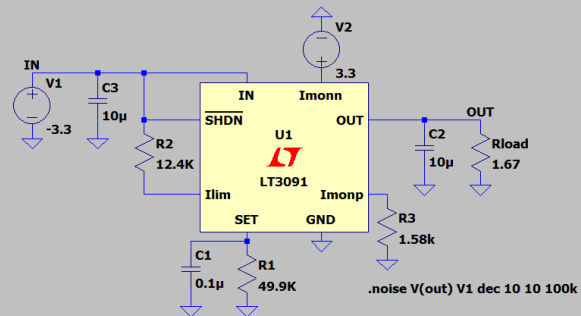
Ideally the LDO noise should be much lower or at least comparable to that.

Datasheet figures



V(noise)
Interval Start: 10Hz
Interval End: 100KHz
Total RMS noise: E10.25nV

LT3091 - -36V, 1.5A Negative Linear Regulator with Programmable Current Limit
Input: -1.5V to -36V Output: -2.5V @ 1.5A (current limit 1.6A)



Note:
If the simulation model is not found please update with the "Sync Release" command from the "Tools" menu.
It remains the customer's responsibility to verify proper and reliable operation in the actual application.
Component substitution and printed circuit board layout may significantly affect circuit performance or reliability.
Contact your local sales representative for assistance. This circuit is distributed to customers only for use with LTC parts.
Copyright ©2016 Linear Technology Inc. All rights reserved.

This is not in line with Datasheet specs
It's much lower