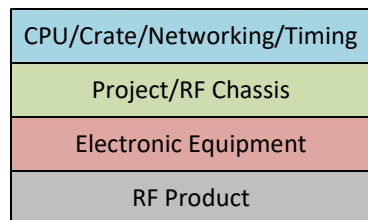




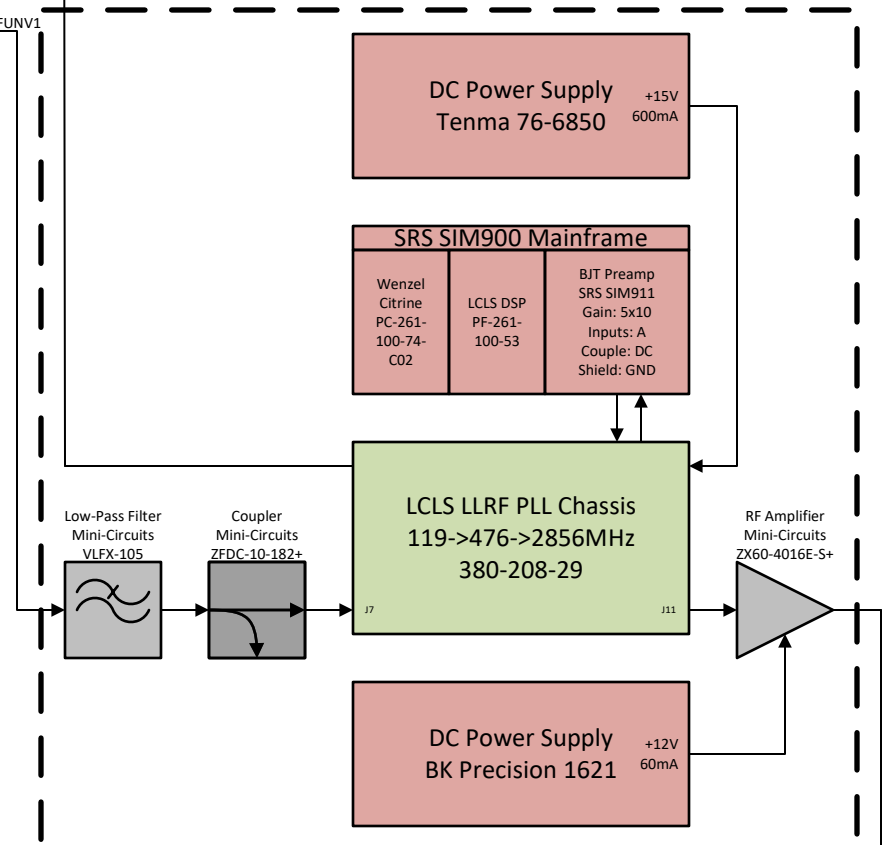
Back Wall Hole

185.7MHz Ref Out
LEAVES RF LAB THROUGH BACK WALL HOLE

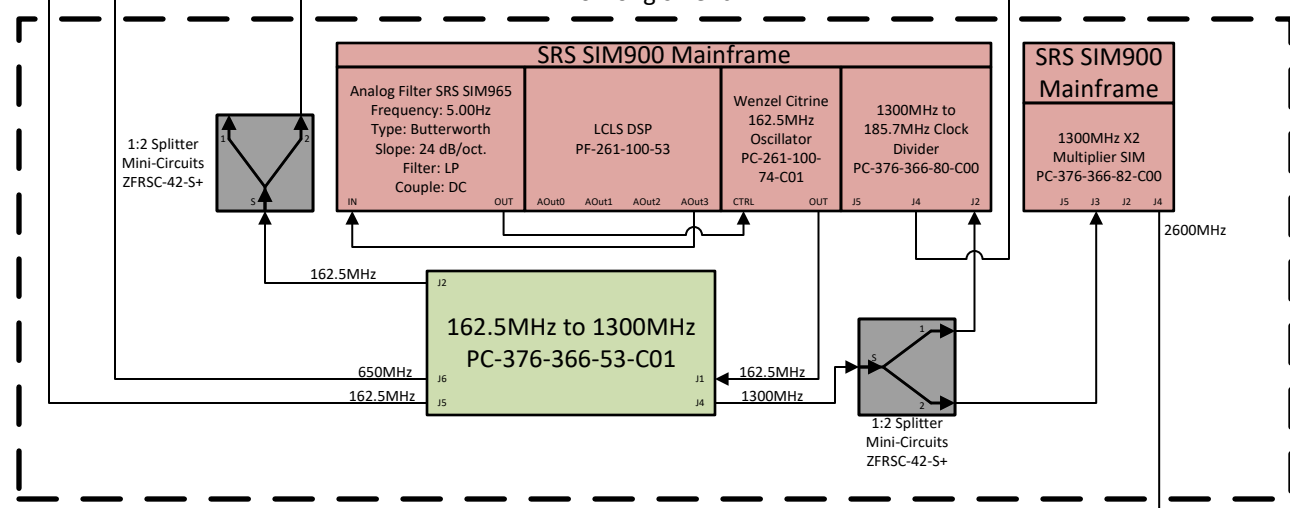
Thi Le, 04/17/2023



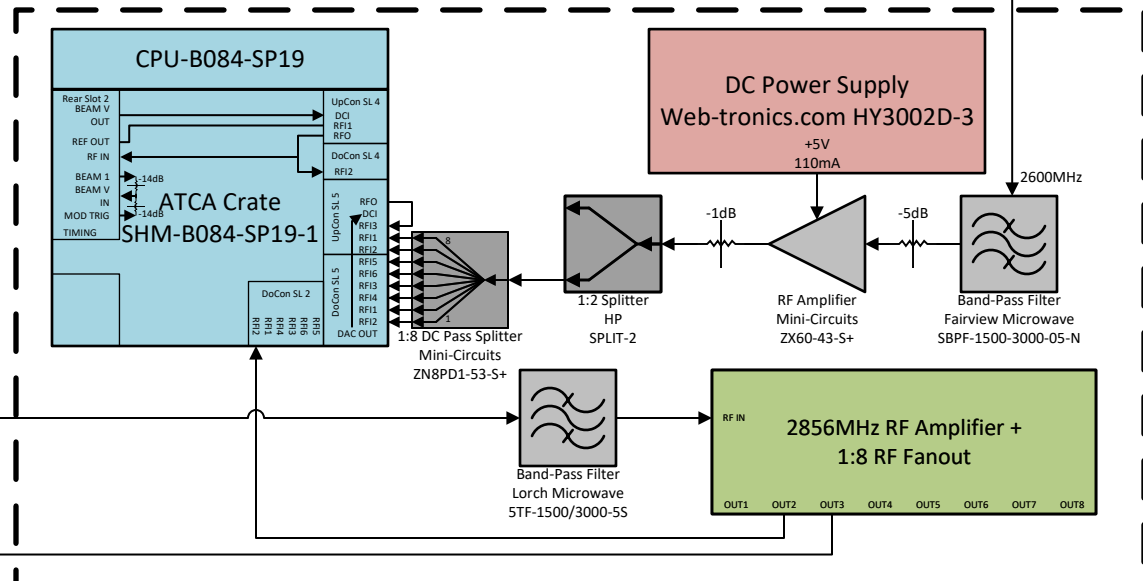
Namit Mishra's Bench



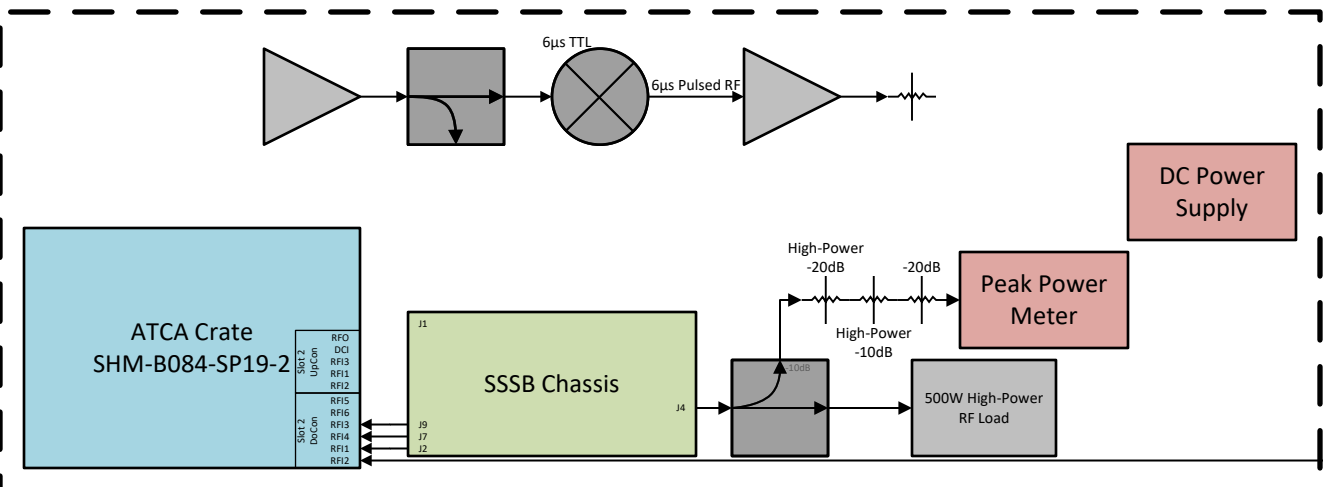
Bo Hong's Bench



Binh Nguyen's Bench



Thi Le's Bench



2856MHz from PLL Chassis to BPF

2856MHz from RF Fanout Chassis to SSSB Chassis