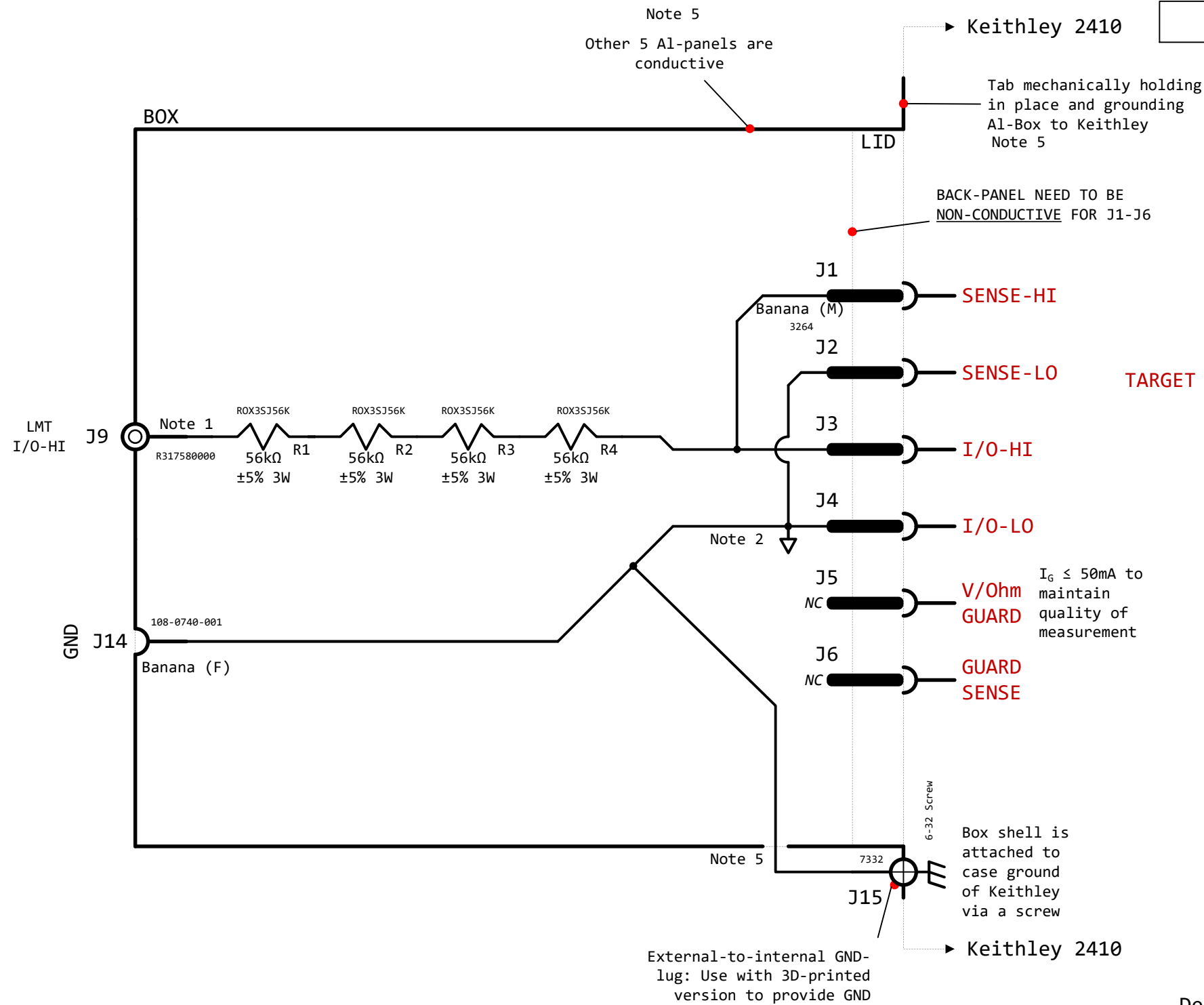
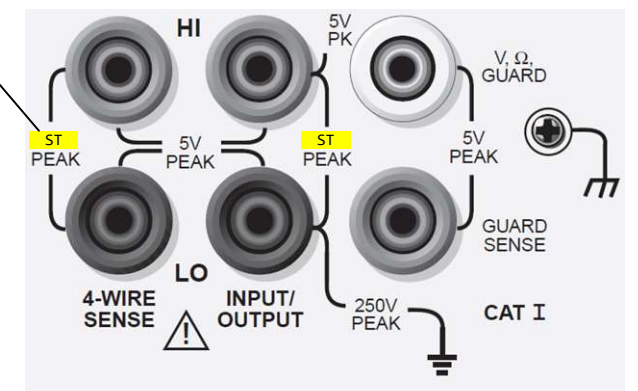


Schematic



Source Meter Keithley 2400 Series



Source: 2400 Manual, back-panel

Model	PEAK[V]	[mA]	Mode
2400	±210	±105	DC
2410	±1100	±21	DC
2420	±63	±1050	DC
2425	±105	±1050	DC
2430	±105	±1050	DC
"	"	±10,500	Pulse
2440	±42	±1050	DC

TARGET →

Limiting so can be used with Banana, BNC, and SMA type connectors.

Note(s):
 (1) Assuming short to ground is $\leq 5mA$
 (2) Limiting J10 (I/O-LO) is tied to ground.
 (3) CAUTION USE: If converting from SHV to BNC/SMA/bananas is desired, engineer needs to evaluate the setup. The output power of source meter is limited to **5.6W**. The voltage is the limiting factor: Location/use of wiring, insulation thickness, and the dielectric strength of insulating material are the factors that need to be considered.

Engineering Ref: Schematic
 Designed to work limit voltage and current of Keithley 2400, **2410**, 2420, 2425, 2430, and 2440.

SLAC		U.S. DEPARTMENT OF ENERGY Office of Science		Print Size: B	1 of 1
KEITHLEY 2410 1100V & 5mA(max) Current Limiter					
ENGR	Scott T. Block	DATE	2/22/2023	APPROVALS	
DRTS	Scott T. Block		2/22/2023		
CHKD	Mark Freytag		3/08/2023		
				SD-261-101-32-C00	