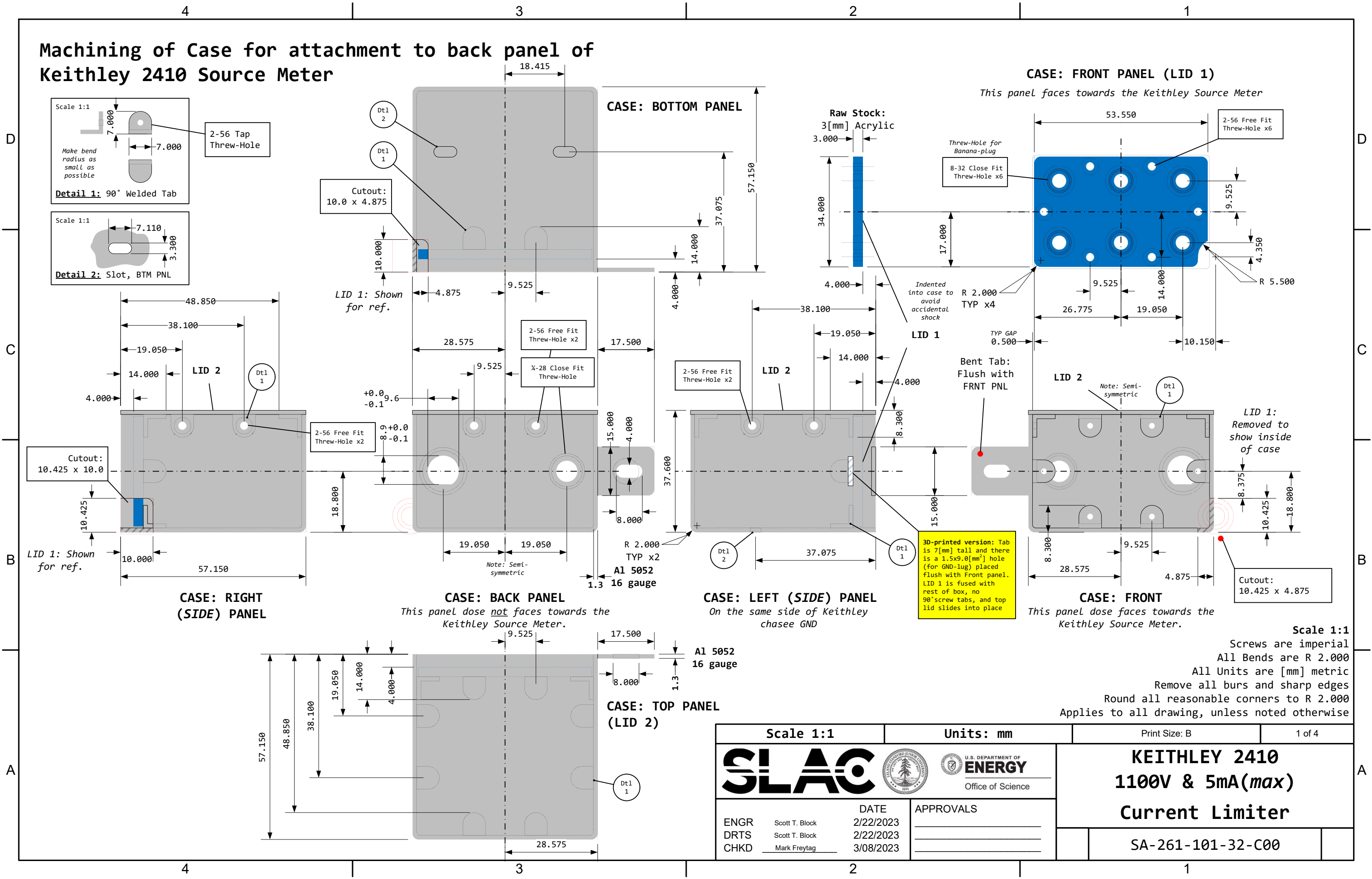


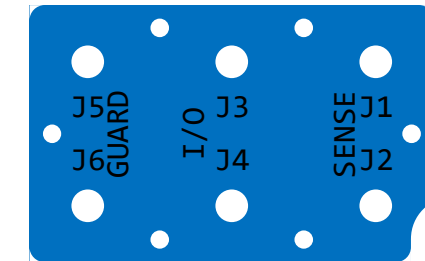
Machining of Case for attachment to back panel of Keithley 2410 Source Meter



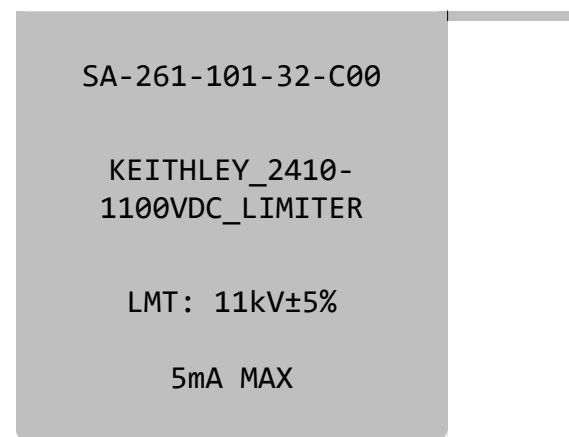
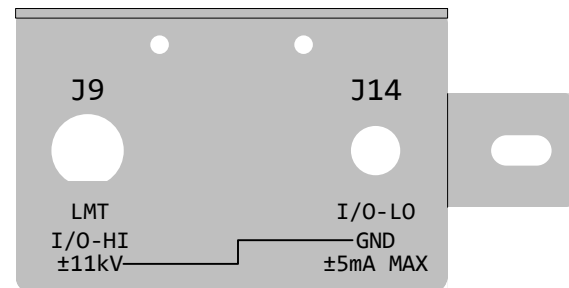
Scale 1:1		Units: mm		Print Size: B		1 of 4	
SLAC		U.S. DEPARTMENT OF ENERGY Office of Science		KEITHLEY 2410 1100V & 5mA(max) Current Limiter			
ENGR	Scott T. Block	DATE	2/22/2023				
DRTS	Scott T. Block	DATE	2/22/2023	_____			
CHKD	Mark Freytag	DATE	3/08/2023	_____			
				SA-261-101-32-C00			

Silk Screen of panels attachment to back panel of Keithley 2410 Source Meter



LABEL CASE: FRONT PANEL (LID 1)



LABEL CASE: BACK PANEL



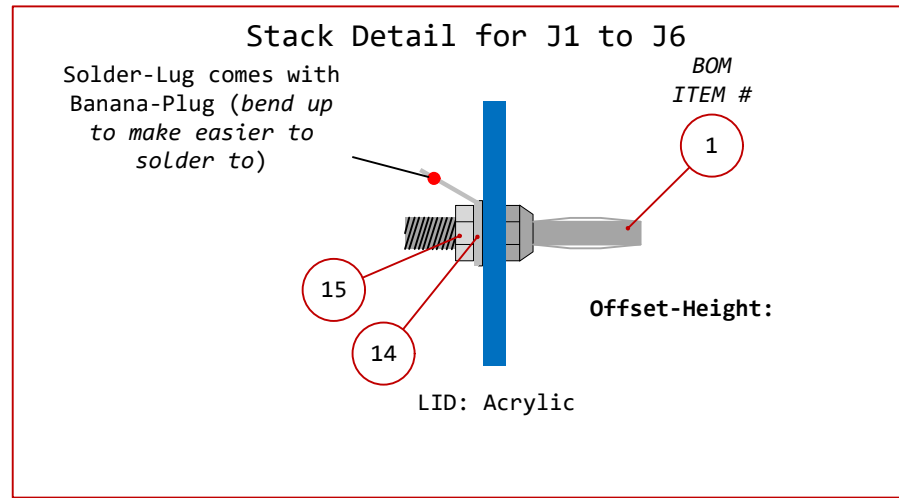
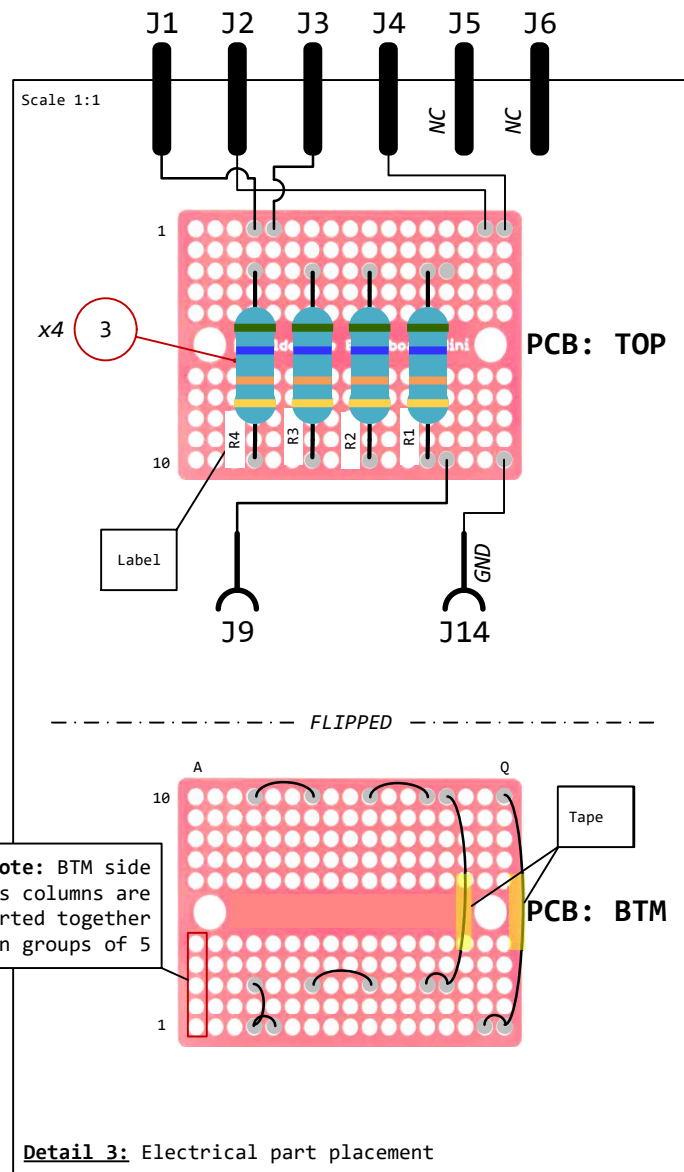
LABEL CASE: TOP PANEL (LID 2)

		Print Size: B		2 of 4	
 		KEITHLEY 2410 1100V & 5mA(max) Current Limiter			
ENGR	Scott T. Block	DATE	2/22/2023	APPROVALS	
DRTS	Scott T. Block	DATE	2/22/2023		
CHKD	Mark Freytag	DATE	3/08/2023		
			SA-261-101-32-C00		

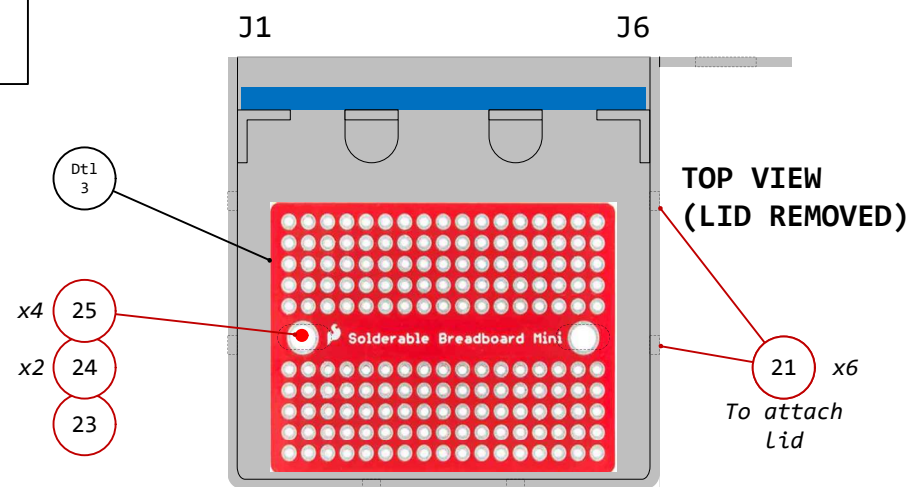
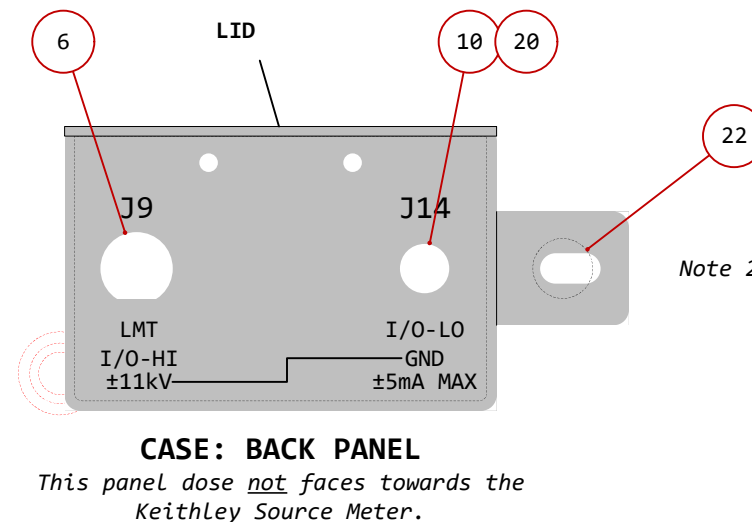
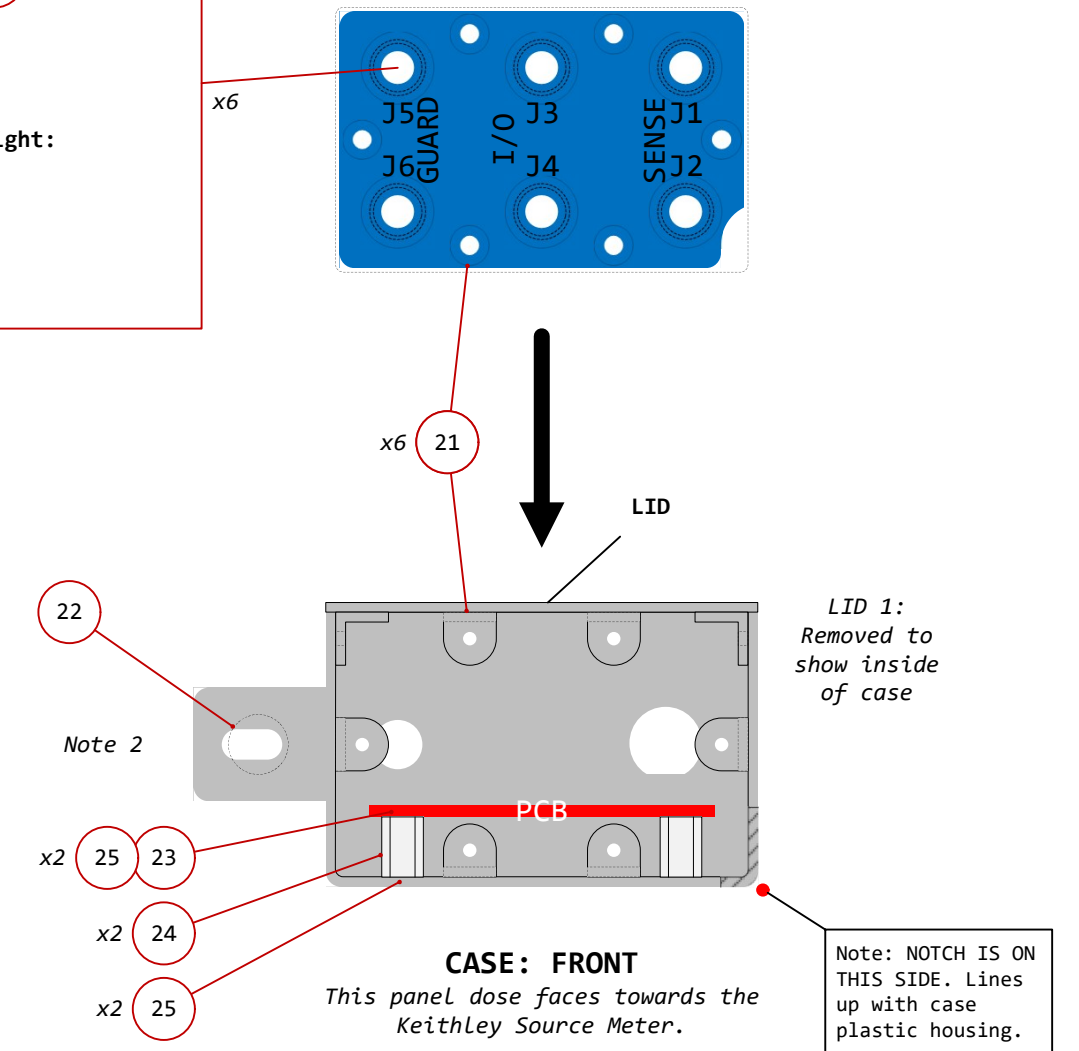
Mechanical Assembly attachment to back panel of Keithley 2410 Source Meter

NOTE(S):

- 1.) BOM ITEM # 26 27 should be plugged into the front of the Keithley Source Meter to minimize accidental use of front BNC jacks.
- 2.) Use 6-32 screw attached to Keithley Source Meter to ground the case shell.



CASE: FRONT PANEL (LID 1)
This panel faces towards the Keithley Source Meter



Scale 1:1 Units: mm Print Size: B 3 of 4

SLAC U.S. DEPARTMENT OF ENERGY Office of Science

**KEITHLEY 2410
1100V & 5mA(max)
Current Limiter**

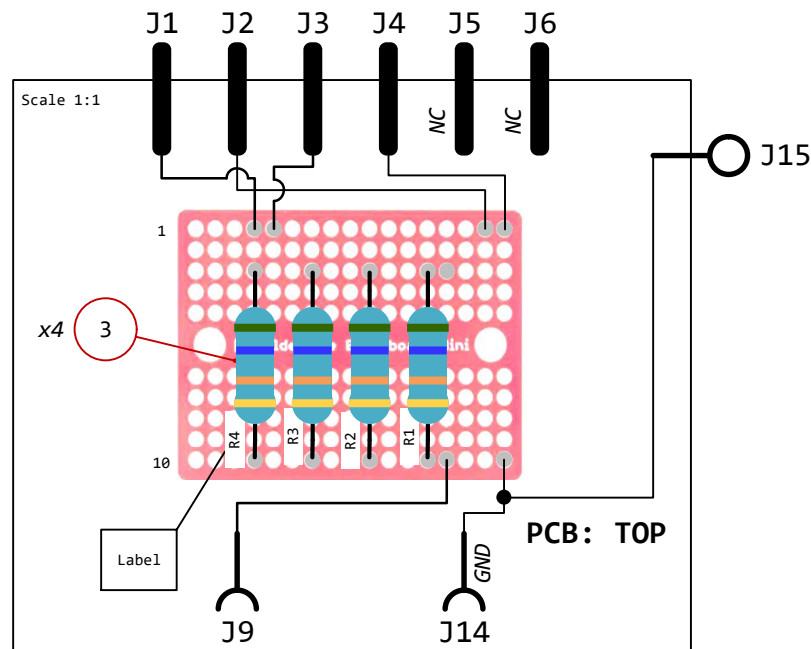
SA-261-101-32-C00

ENGR	DATE	APPROVALS
Scott T. Block	2/22/2023	
Scott T. Block	2/22/2023	
Mark Freytag	3/08/2023	

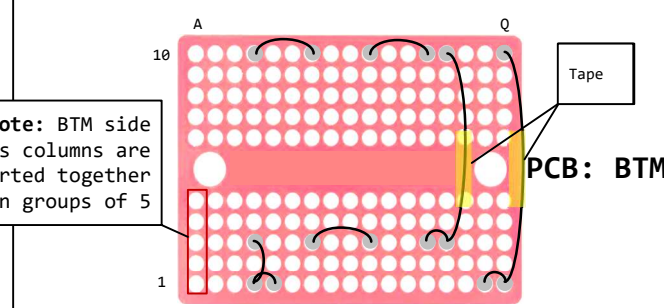
Mechanical Assembly attachment to back panel of Keithley 2410 Source Meter—3D-Printed

NOTE(S):

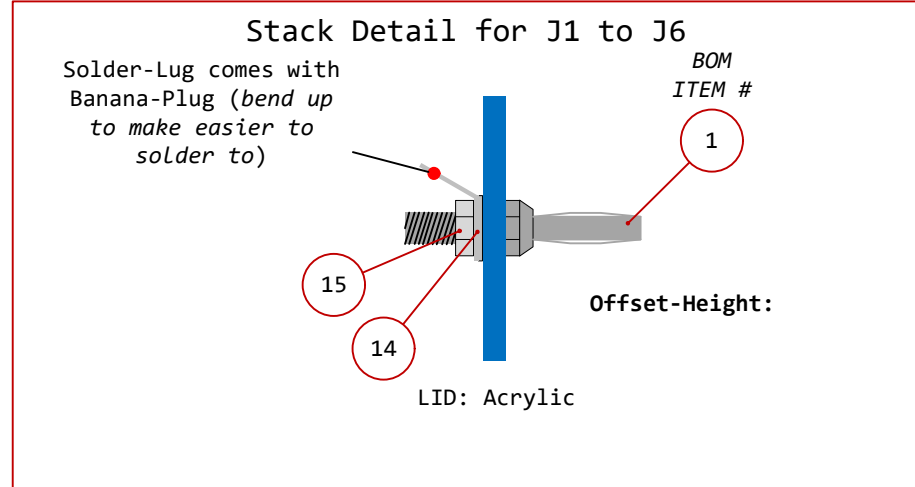
- 1.) BOM ITEM # 26 27 should be plugged into the front of the Keithley Source Meter to minimize accidental use of front BNC jacks.
- 2.) Use 6-32 screw attached to Keithley Source Meter to ground the case shell.



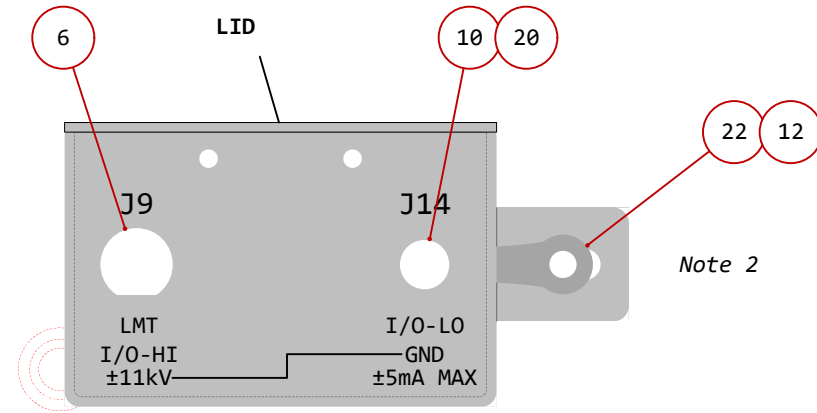
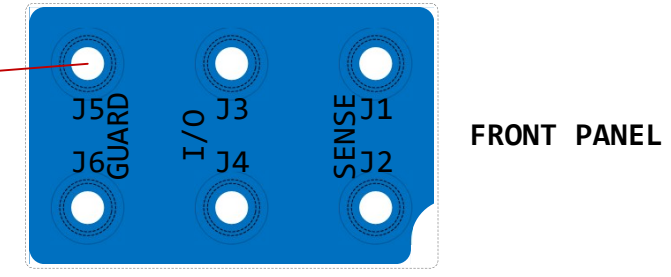
FLIPPED



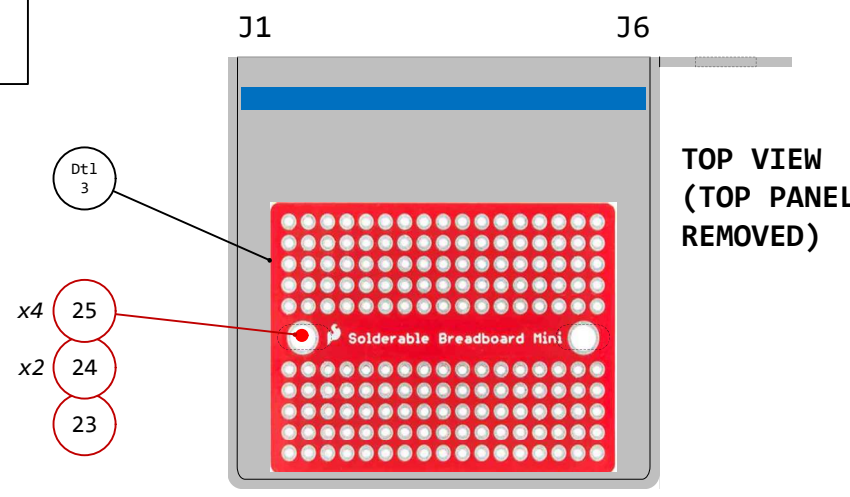
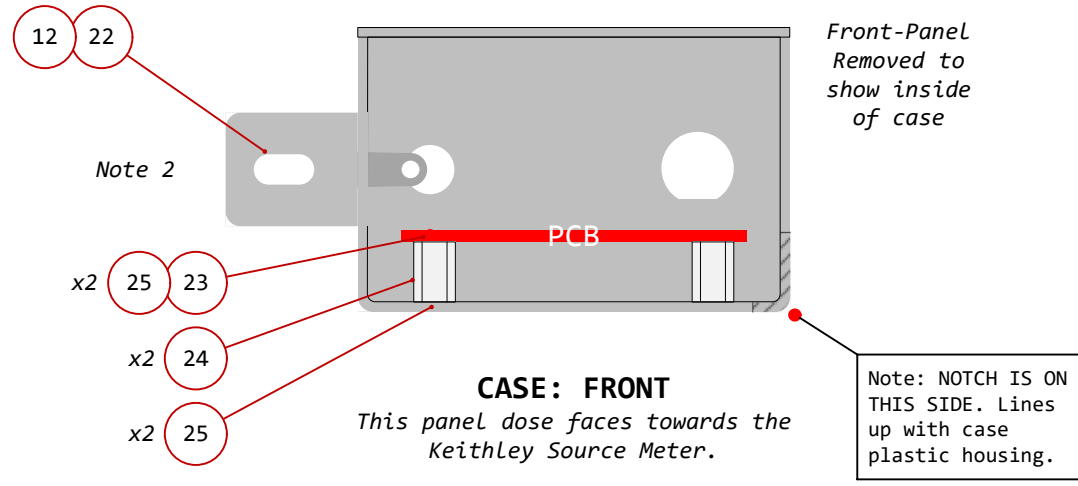
Detail 3: Electrical part placement



CASE: FRONT PANEL (LID 1)
This panel faces towards the Keithley Source Meter



CASE: BACK PANEL
This panel dose not faces towards the Keithley Source Meter.



Scale 1:1	Units: mm	Print Size: B	4 of 4
		KEITHLEY 2410 1100V & 5mA(max) Current Limiter	
ENGR	Scott T. Block	DATE	2/22/2023
DRTS	Scott T. Block	APPROVALS	
CHKD	Mark Freytag		
		SA-261-101-32-C00	

Scale 1:1