

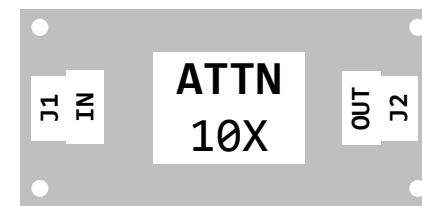
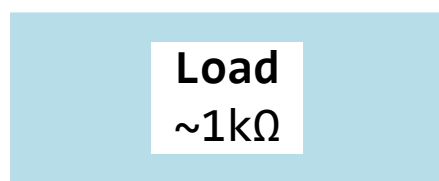
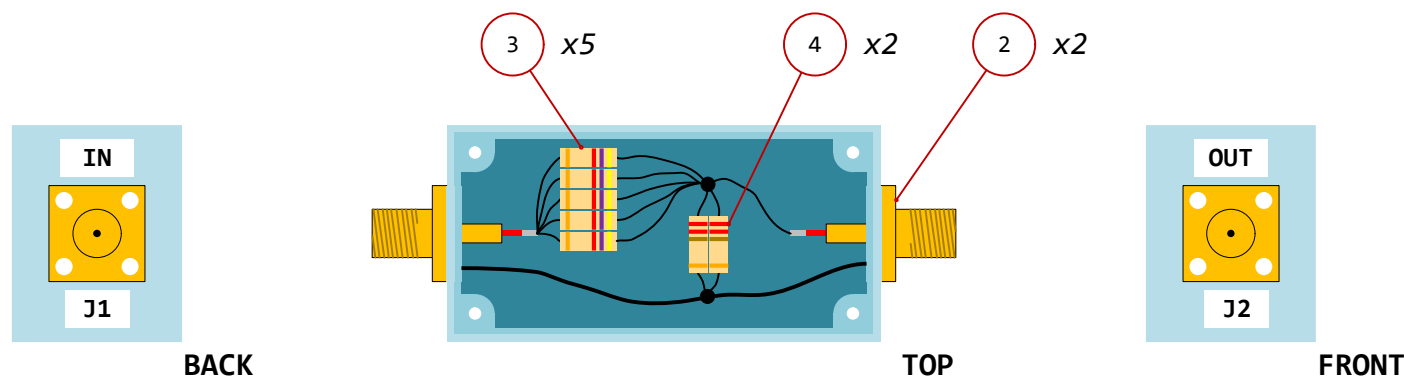
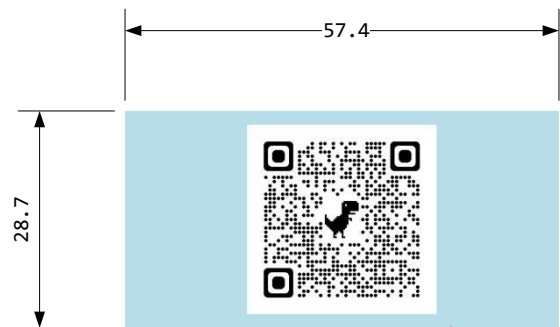
4

3

2

1

| ITEM | # of | MNFCTR | P/N | DESCRIPTION |
|------|------|------------------------------|------------|---------------------------------|
| 1 | 1 | Pamona | 2398 | BOX ALUM BLUE 2.250"L X 1.130"W |
| 2 | 2 | Amphenol RF | 132121 | CONN SMA JACK STR 50 OHM SOLDER |
| 3 | 5 | Stackpole Electronics Inc | CF14JT4K70 | 4.7k 5% |
| 4 | 2 | Stackpole Electronics Inc | CF14JT220R | RES 220 OHM 5% 1/4W AXIAL |



Scale 1:1

Units: mm

Print Size: B

1 of 1



ATTN 10x Case

| | DATE | APPROVALS |
|---------------------|-----------|-----------|
| ENGR Scott T. Block | 4/20/2023 | _____ |
| DRTS Scott T. Block | 4/20/2023 | _____ |
| CHKD Scott T. Block | 4/25/2023 | _____ |

SA-XXX-XXX-XX-C00

4

3

2

1

D

D

C

C

B

B

A

A