

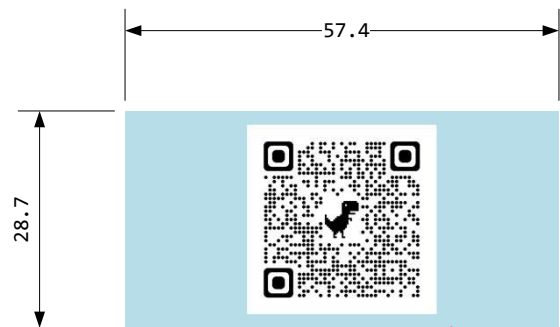
4

3

2

1

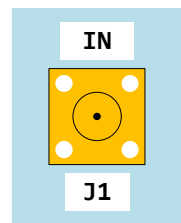
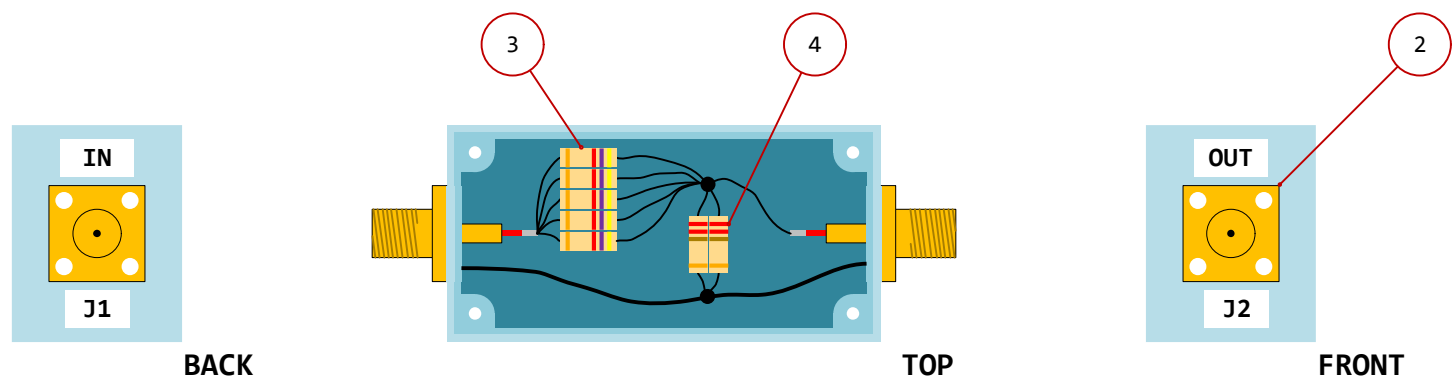
ITEM	# of	MNFCTR	P/N	DESCRIPTION
1	1	Pamona	2398	BOX ALUM BLUE 2.250"L X 1.130"W
2	2	Amphenol RF	132121	CONN SMA JACK STR 50 OHM SOLDER
3	5	Stackpole Electronics Inc	CF14JT4K70	4.7k 5%
4	5	Stackpole Electronics Inc	CF14JT220R	RES 220 OHM 5% 1/4W AXIAL



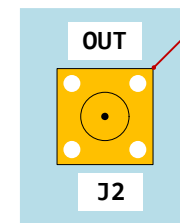
1



RIGHT



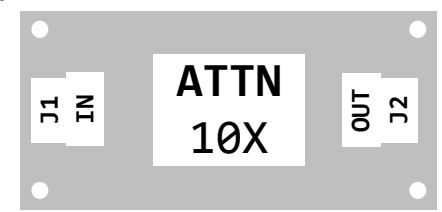
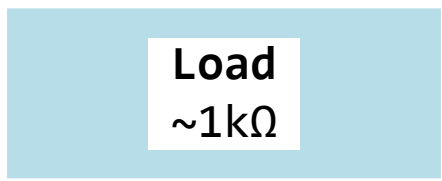
BACK



FRONT

TOP

LEFT



LID: TOP

Scale 1:1

Units: mm

Print Size: B

1 of 1



ATTN 10x Case

	DATE	APPROVALS
ENGR Scott T. Block	4/20/2023	_____
DRTS Scott T. Block	4/20/2023	_____
CHKD Scott T. Block	4/25/2023	_____

SA-XXX-XXX-XX-C00

4

3

2

1

D

D

C

C

B

B

A

A