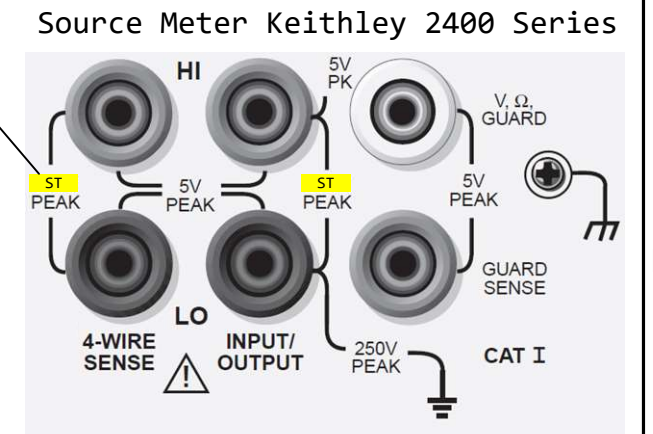
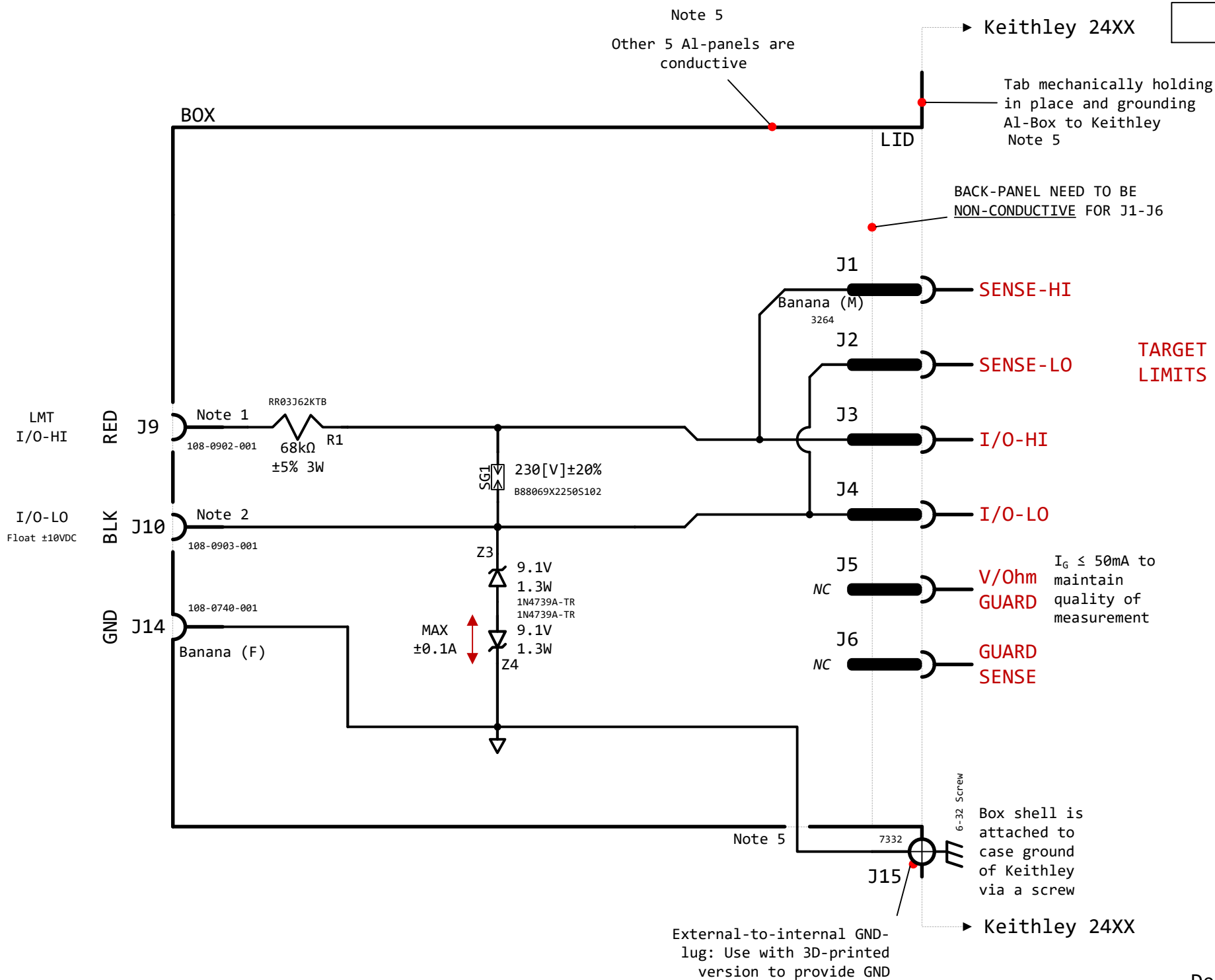


Schematic



Source: 2400 Manual, back-panel

Model	PEAK[V]	[mA]	Mode
2400	±210	±105	DC
2410	±1100	±21	DC
2420	±63	±1050	DC
2425	±105	±1050	DC
2430	±105	±1050	DC
"	"	±10,500	Pulse
2440	±42	±1050	DC

Limiting so can be used with Banana, BNC, and SMA type connectors.

- Note(s):**
- (1) Assuming short to ground is $\leq 5mA$
 - (2) Limiting J10 (I/O-LO) ability to float to $\pm 10V$ and 1.3W.
 - (3) Limits noted in 1 & 2 allows for use of BNC and SMA for all 24XX models.
 - (4) CAUTION USE: If bananas are desired to be used, engineer need to evaluate the setup. The output power of source meter is limited to $1.7W$ while bananas are 450W (so good on power). The voltage is the limiting factor: Location/use of wiring, insulation thickness, and the dielectric strength of insulating material are the factors that need to be considered.
 - (5) OPTIONAL: 3D-printed version none of the panels are conductive

Engineering Ref: Schematic
 Designed to work limit voltage and current of Keithley **2400**, **2410**, 2420, 2425, 2430, and 2440.

SLAC		U.S. DEPARTMENT OF ENERGY Office of Science		Print Size: B	1 of 1
KEITHLEY 24XX 230V±20% & 5mA(max) Current Limiter					
ENGR	Scott T. Block	DATE	2/13/2023	APPROVALS	
DRTS	Scott T. Block		2/13/2023		
CHKD	Mark Freytag		3/08/2023		
				SD-261-101-30-C00	