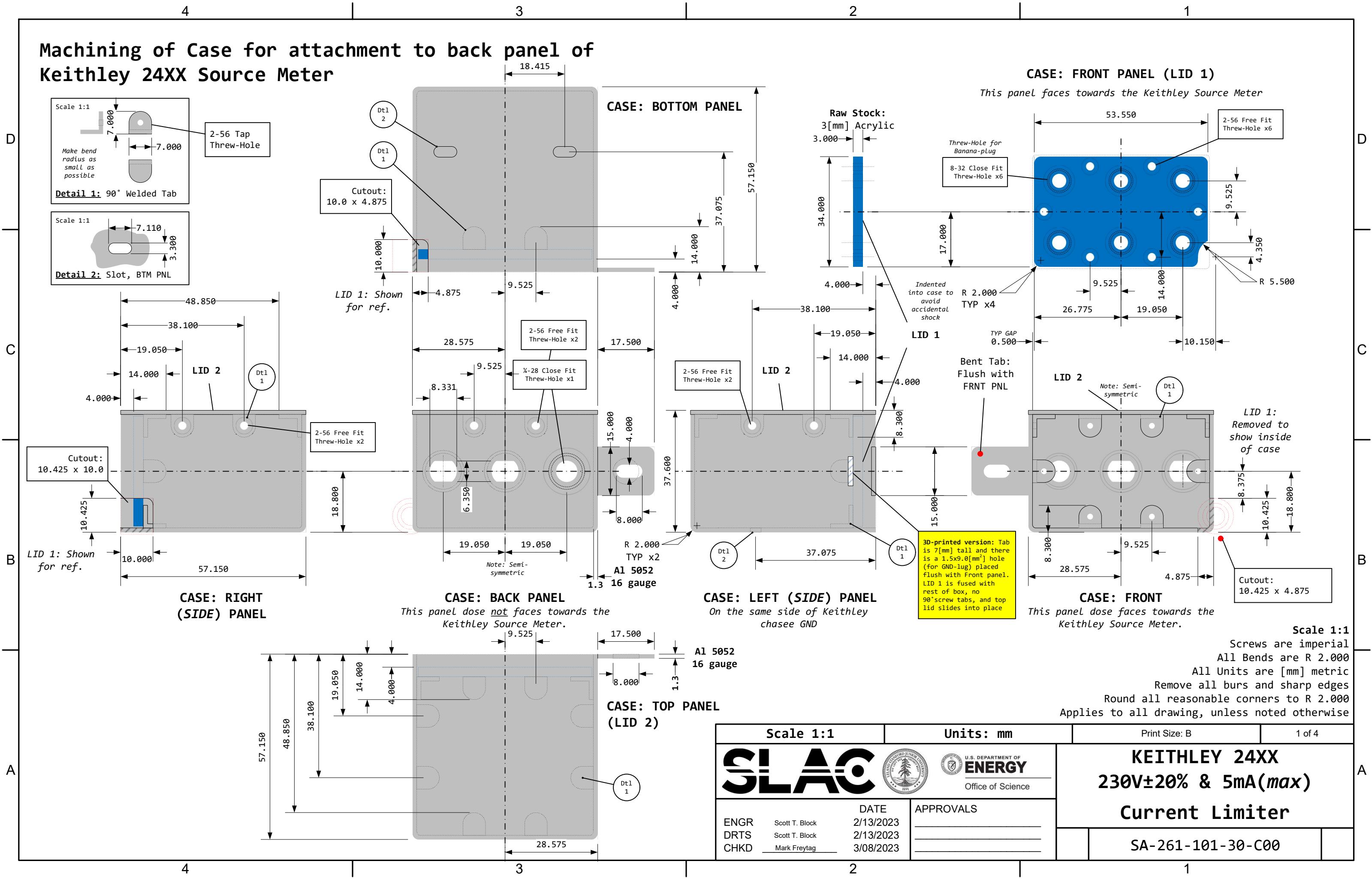


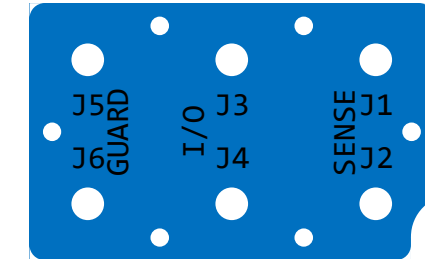
Machining of Case for attachment to back panel of Keithley 24XX Source Meter



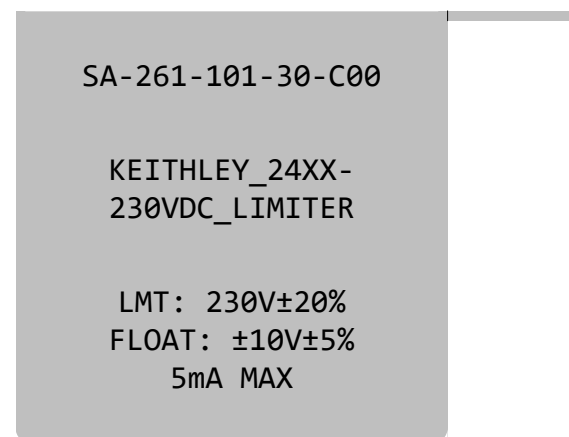
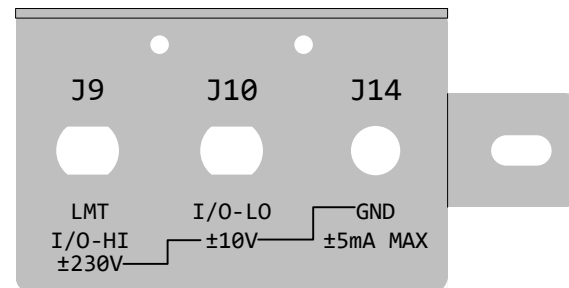
Scale 1:1		Units: mm		Print Size: B		1 of 4	
SLAC						KEITHLEY 24XX 230V±20% & 5mA(max) Current Limiter	
ENGR	Scott T. Block	DATE	2/13/2023	APPROVALS			
DRTS	Scott T. Block	DATE	2/13/2023				
CHKD	Mark Freytag	DATE	3/08/2023				
						SA-261-101-30-C00	

Silk Screen of panels attachment to back panel of Keithley 24XX Source Meter

LABEL CASE: FRONT PANEL (LID 1)



LABEL CASE: BACK PANEL



LABEL CASE: TOP PANEL (LID 2)

Print Size: B

2 of 4



U.S. DEPARTMENT OF ENERGY
Office of Science

KEITHLEY 24XX
230V±20% & 5mA(max)

Current Limiter

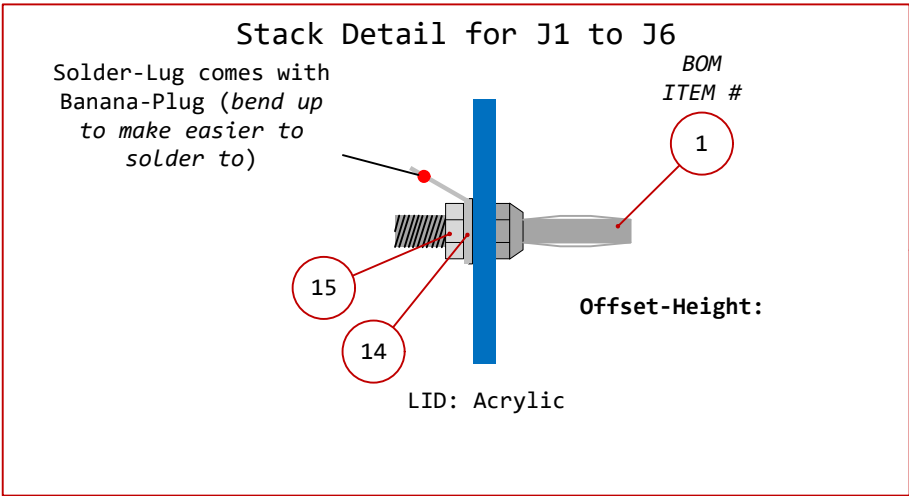
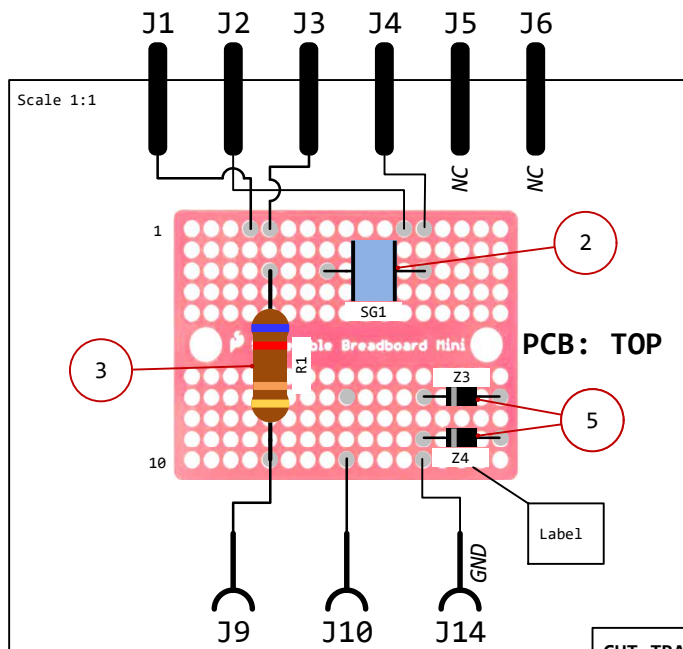
ENGR	DATE	APPROVALS
Scott T. Block	2/13/2023	_____
Scott T. Block	2/13/2023	_____
Mark Freytag	3/08/2023	_____

SA-261-101-30-C00

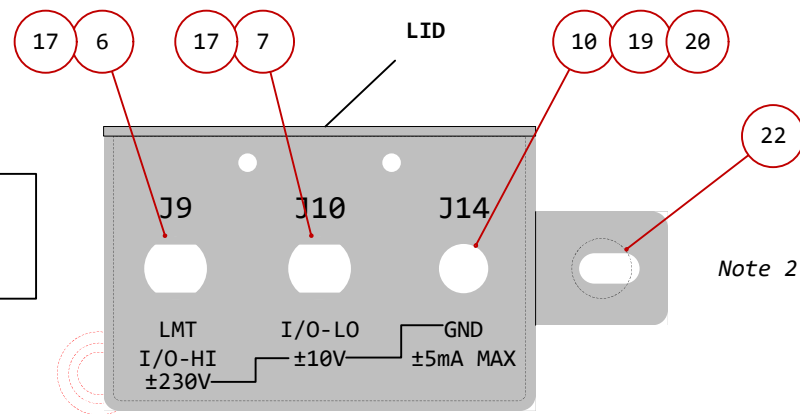
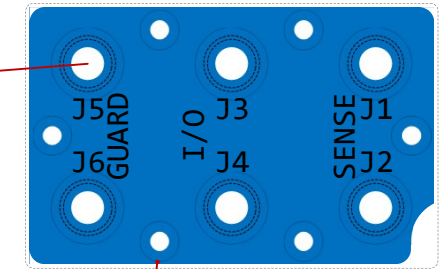
Mechanical Assembly attachment to back panel of Keithley 24XX Source Meter

NOTE(S):

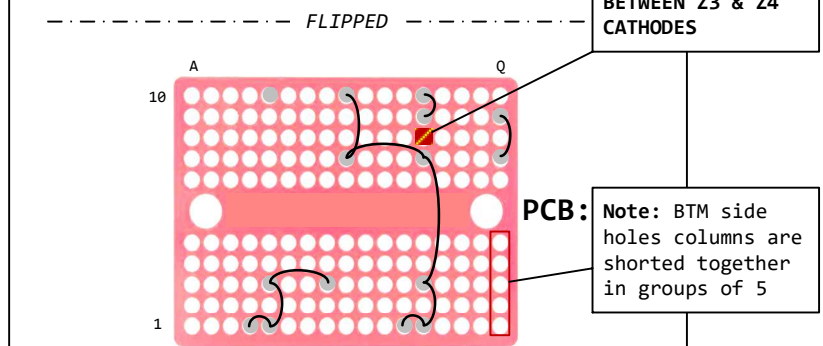
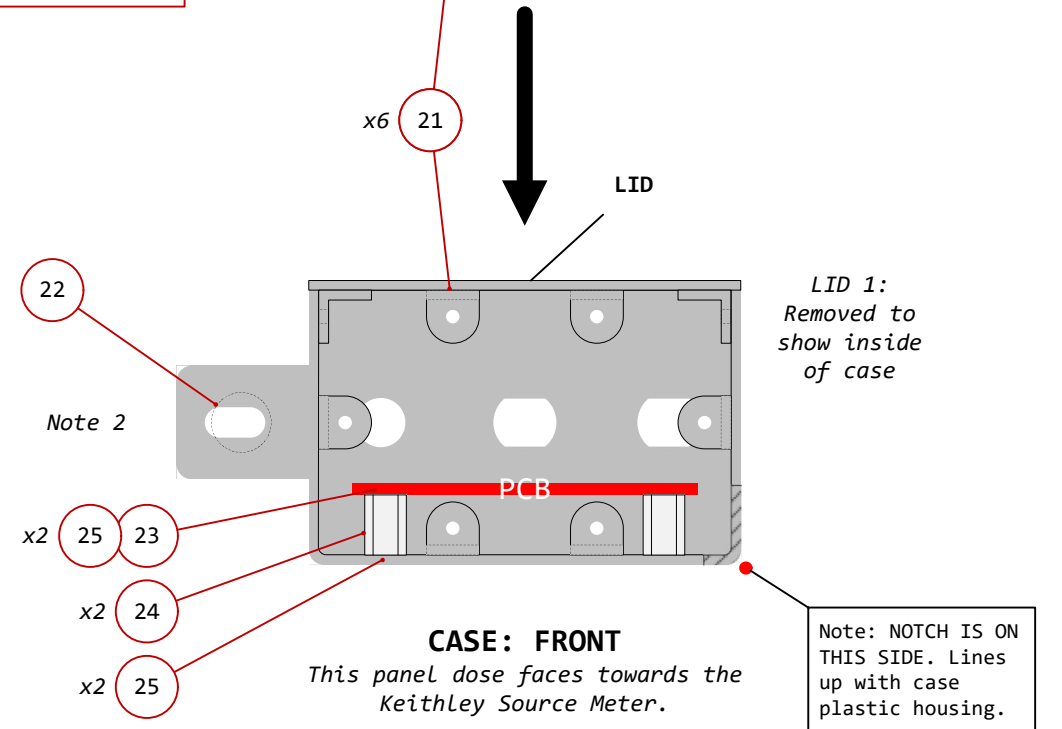
- 1.) BOM ITEM # 26 27 should be plugged into the front of the Keithley Source Meter to minimize accidental use of front BNC jacks.
- 2.) Use 6-32 screw attached to Keithley Source Meter to ground the case shell.



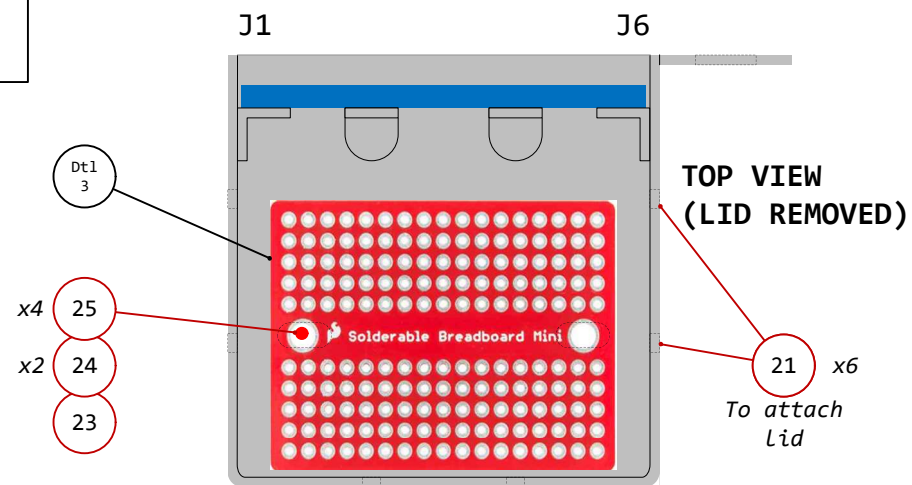
CASE: FRONT PANEL (LID 1)
This panel faces towards the Keithley Source Meter



This panel dose not faces towards the Keithley Source Meter.



Detail 3: Electrical part placement

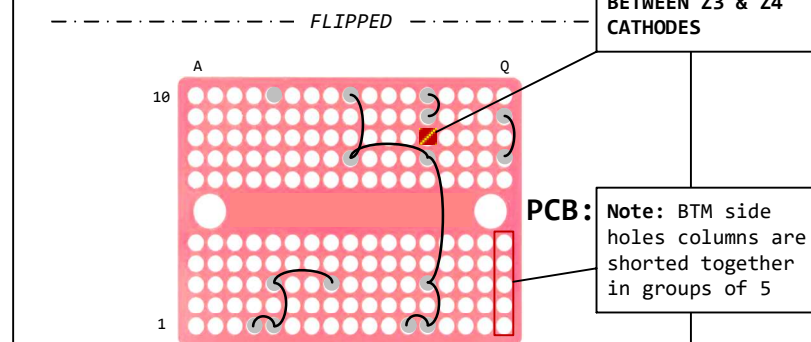
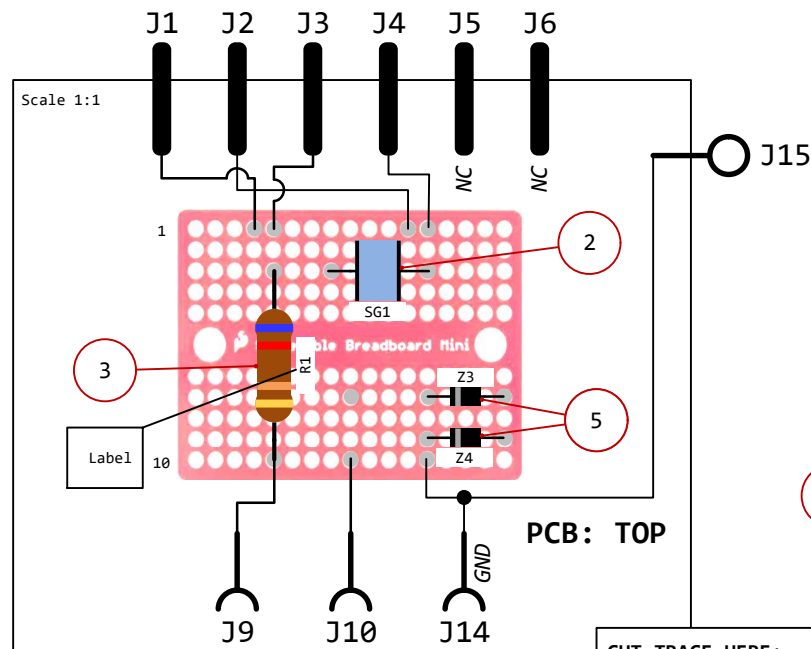


Scale 1:1		Units: mm		Print Size: B		3 of 4	
SLAC						KEITHLEY 24XX 230V±20% & 5mA(max) Current Limiter	
ENGR	Scott T. Block	DATE	2/13/2023	APPROVALS			
DRTS	Scott T. Block		2/13/2023	_____			
CHKD	Mark Freytag		3/08/2023	_____			
						SA-261-101-30-C00	

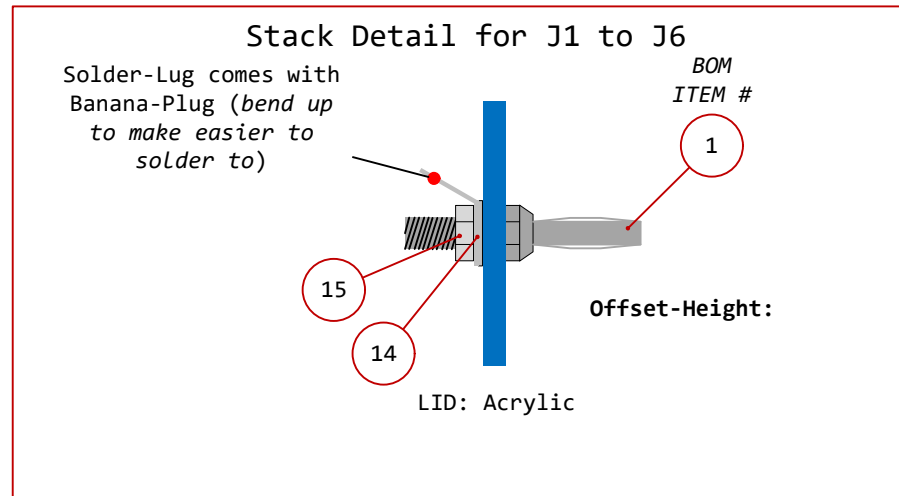
Scale 1:1

Mechanical Assembly attachment to back panel of Keithley 24XX Source Meter—3D-Printed

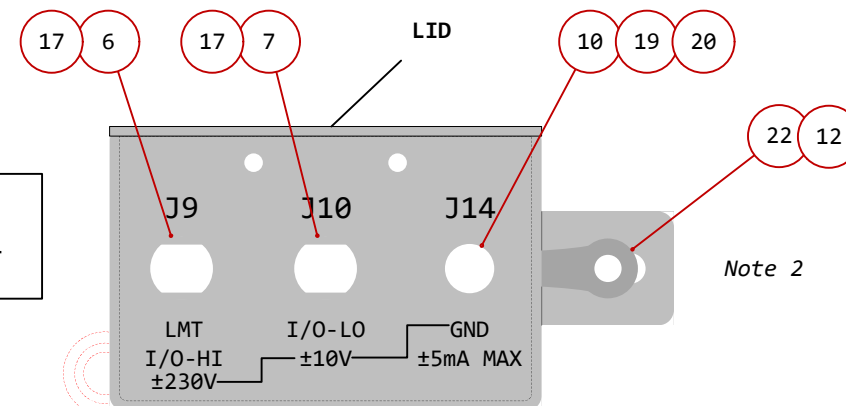
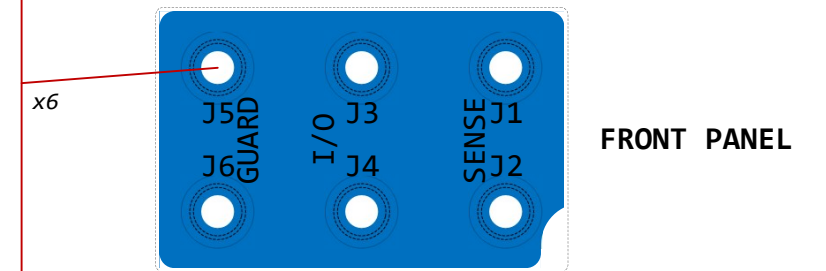
NOTE(S):
 1.) BOM ITEM # 26 27 should be plugged into the front of the Keithley Source Meter to minimize accidental use of front BNC jacks.
 2.) Use 6-32 screw attached to Keithley Source Meter to ground the case shell.



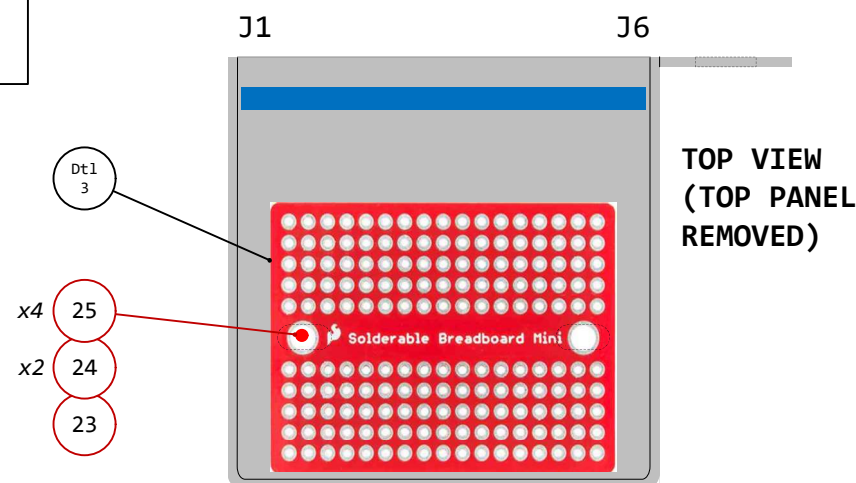
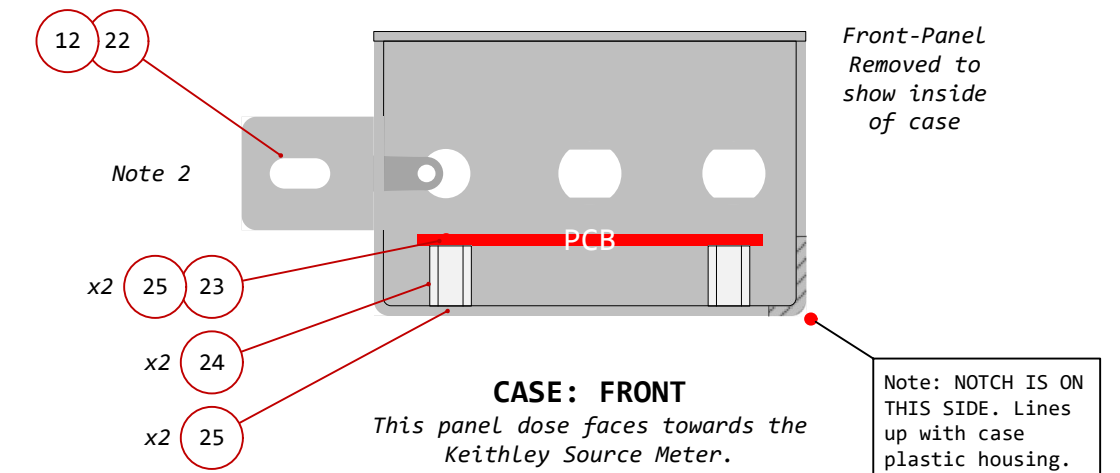
Detail 3: Electrical part placement



CASE: FRONT PANEL (LID 1)
 This panel faces towards the Keithley Source Meter



CASE: BACK PANEL
 This panel dose not faces towards the Keithley Source Meter.



Scale 1:1	Units: mm	Print Size: B	4 of 4
		KEITHLEY 24XX 230V±20% & 5mA(max) Current Limiter	
ENGR	Scott T. Block	DATE	2/13/2023
DRTS	Scott T. Block	APPROVALS	
CHKD	Mark Freytag		3/08/2023
			SA-261-101-30-C00