

REV

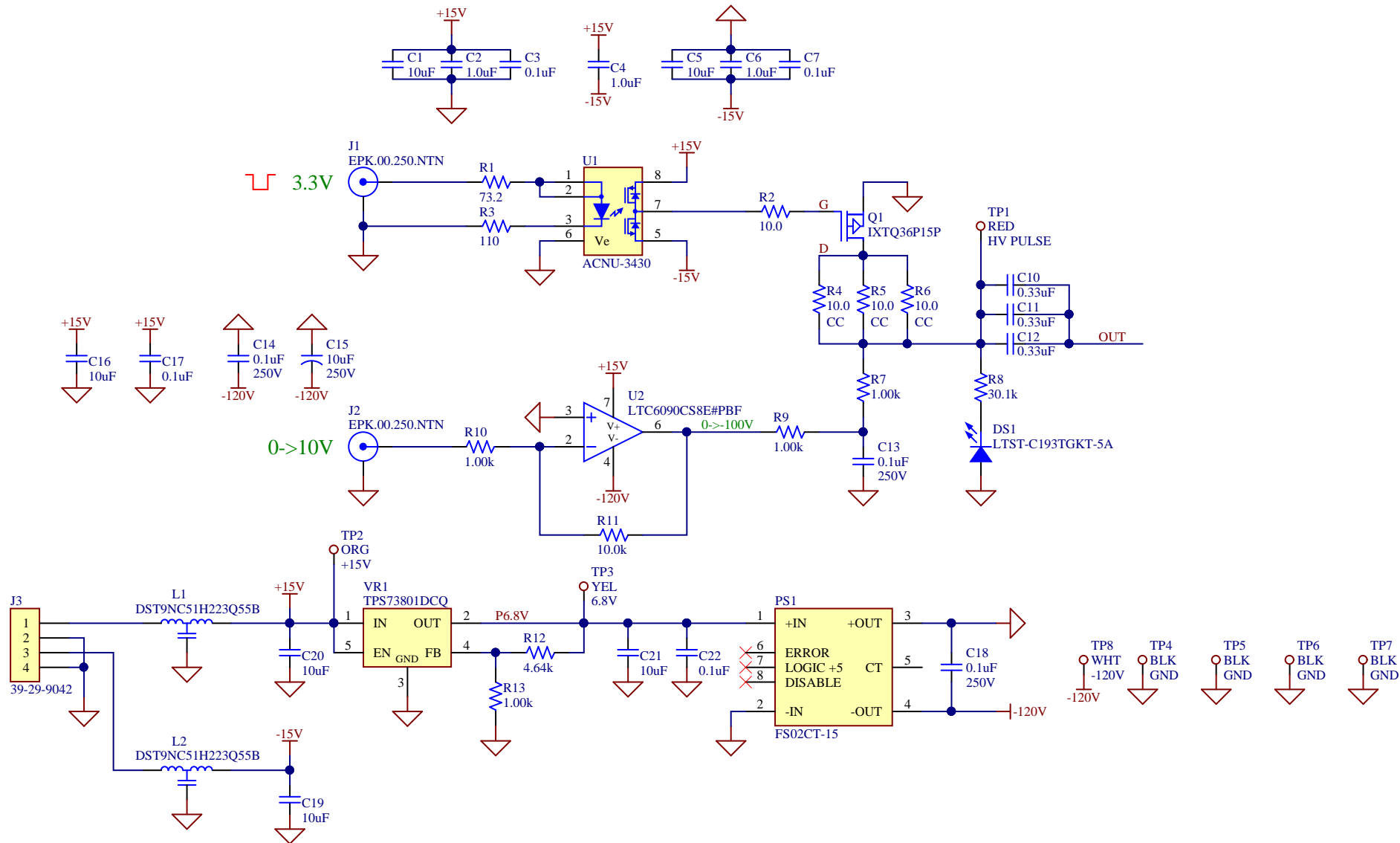
DESCRIPTION

DFTR

CHKR

ENGR

DATE



SPIRES: \_\_\_\_\_



U.S. DEPARTMENT OF  
**ENERGY**

CAD FILE NAME:Fast Pulse A-Sheet.SchDoc

SHEET 1 OF 1

ePIX HR  
FAST PULSE  
TEST BOARD

	DATE
ENGR: David Brown	JAN-18-2018
DRFT: Altium Designer 18	JAN-18-2018
CHKR: Joe Frisch	JAN-18-2018

THE DRAWINGS, SPECIFICATIONS AND OTHER DATA HEREIN PROVIDED SHALL NOT BE COPIED, PUBLISHED OR OTHERWISE FURTHER DISSEMINATED WITHOUT PRIOR WRITTEN PERMISSION OF STANFORD UNIVERSITY/SLAC

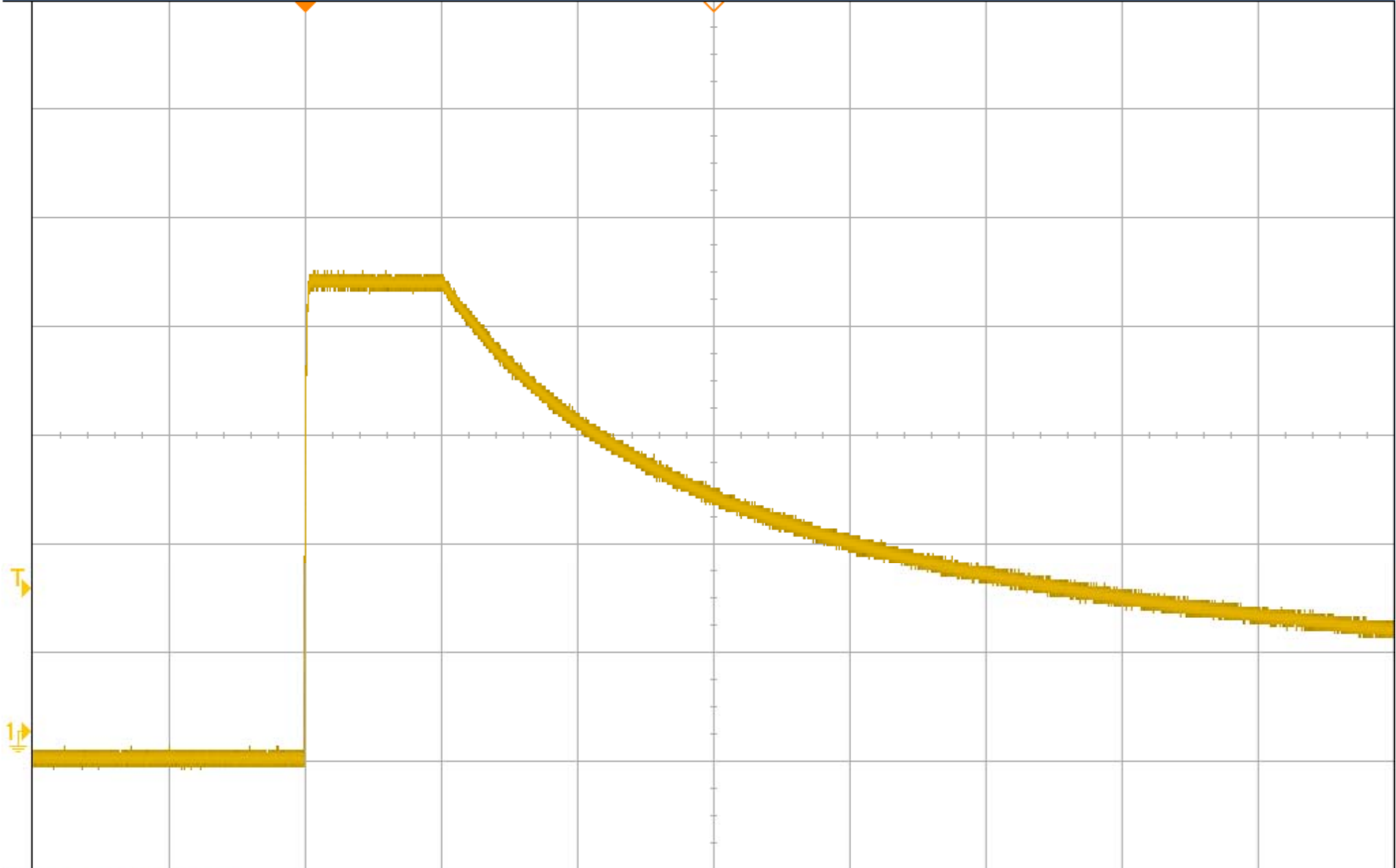
SD-144-174-04

REVISION

R0

A

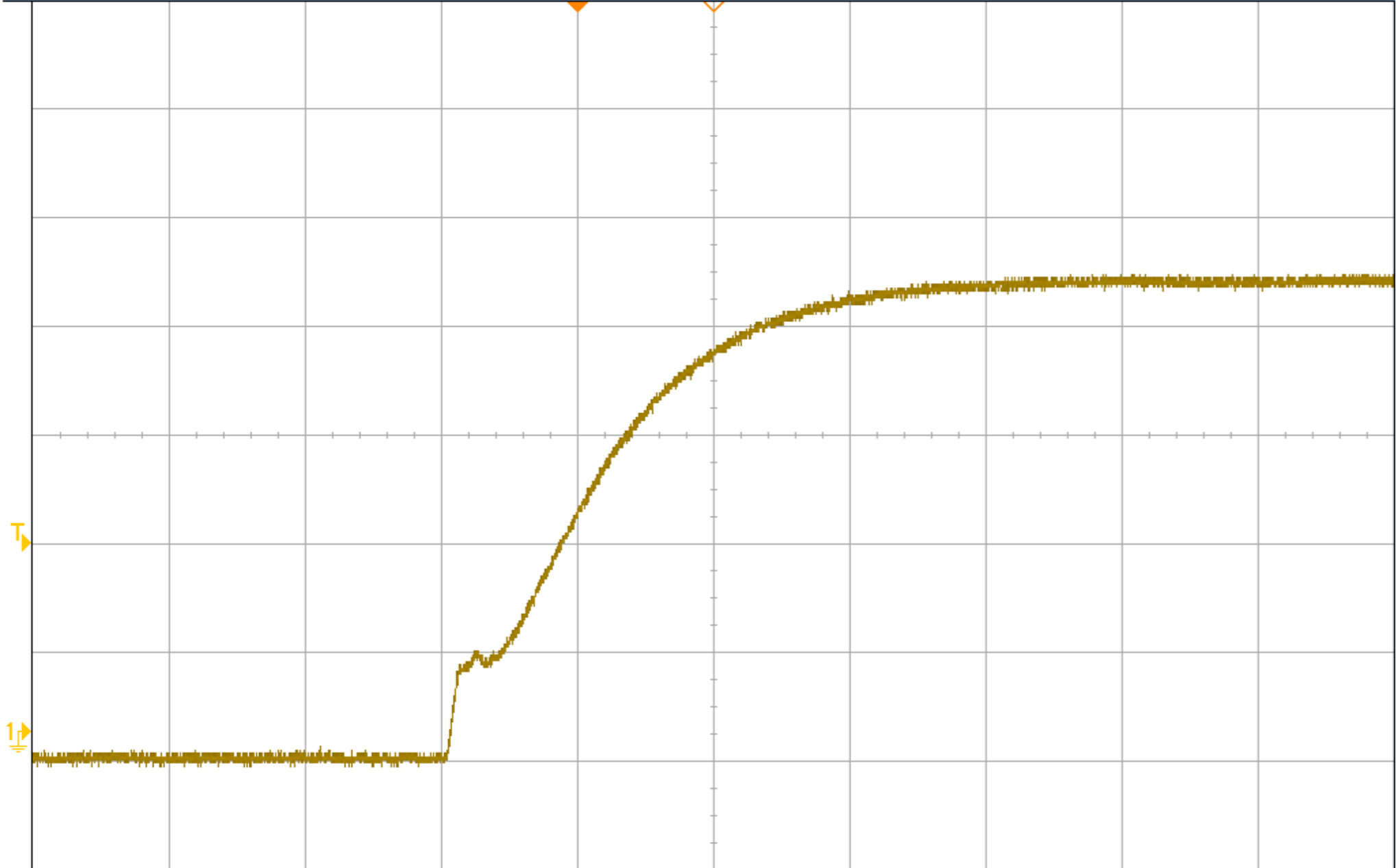
1 20.0V/ 2 3 4 30.00µs 10.00µs/ Trig'd f 1 26.3V



Channel 1 Menu

Coupling DC Imped 1M Ohm BW Limit Vernier Invert Probe

1 20.0V/ 2 3 4 100.0ns 100.0ns/ Trig'd f 1 34.8V



Channel 1 Menu

Coupling DC

Imped 1M Ohm

BW Limit

Vernier

Invert

Probe