

REV

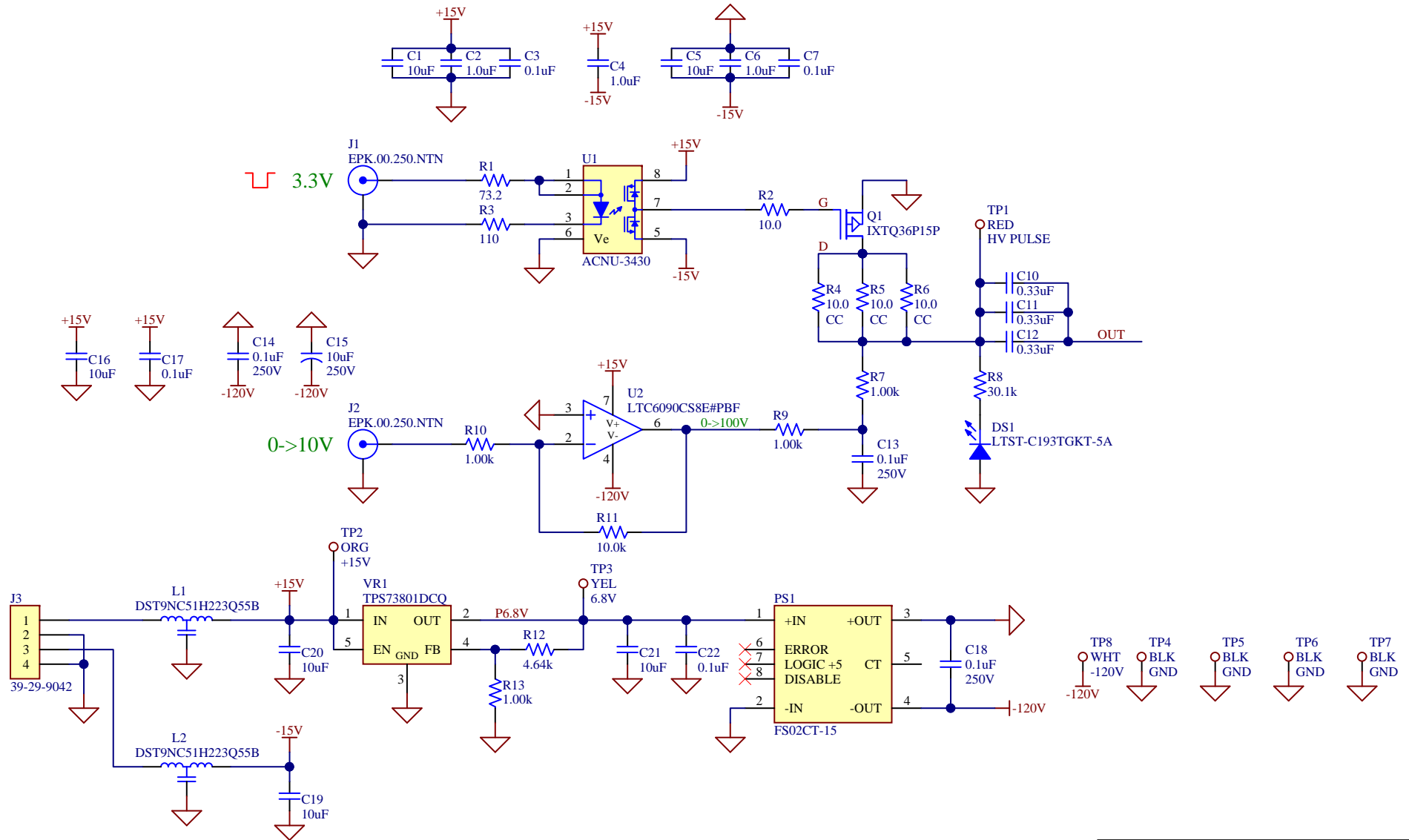
DESCRIPTION

DFTR

CHKR

ENGR

DATE



SPIRES: \_\_\_\_\_

**U.S. DEPARTMENT OF ENERGY**

ENGR:	DATE
David Brown	JAN-18-2018
Altium Designer 18	JAN-18-2018
Joe Frisch	JAN-18-2018

THE DRAWINGS, SPECIFICATIONS AND OTHER DATA HEREIN PROVIDED SHALL NOT BE COPIED, PUBLISHED OR OTHERWISE FURTHER DISSEMINATED WITHOUT PRIOR WRITTEN PERMISSION OF STANFORD UNIVERSITY/SLAC

CAD FILE NAME: Fast Pulse A-Sheet.SchDoc

SHEET 1 OF 1

**ePIX HR  
FAST PULSE  
TEST BOARD**

**SD-144-174-04**

REVISION	
R0	<b>A</b>