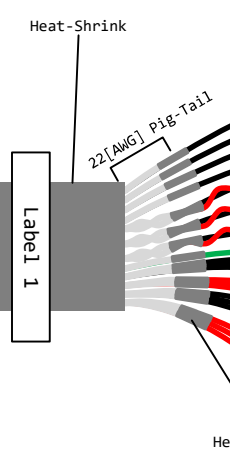
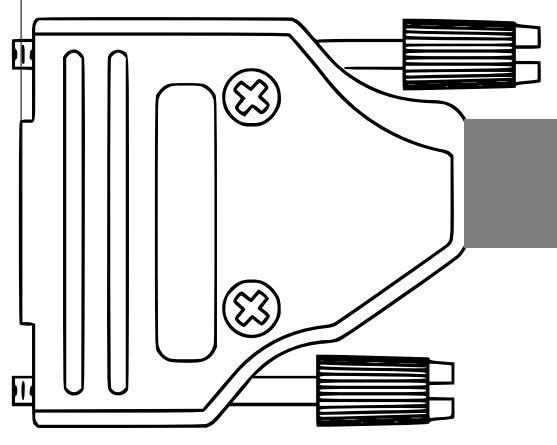
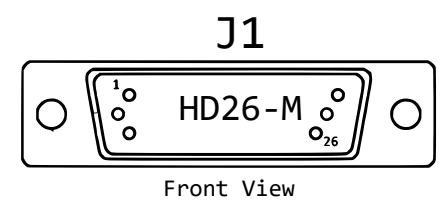


TO: CA-261-807-89



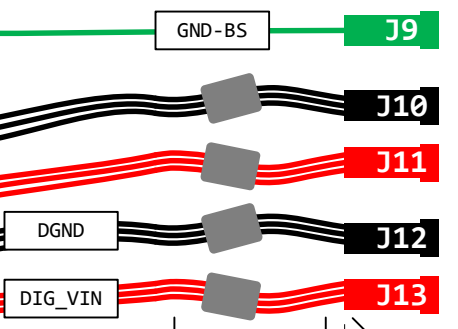
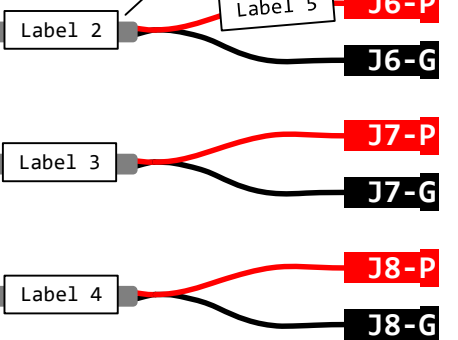
ALL SMA 6[in]

The length of SMA and Banana has been swapped from Breakout version to make for easy connecting

ALL Banana 3[in]

Isolate and Heat-Shrink

- MPS → J2 SMA-F
- TG_OUT → J3 SMA-F
- DAQ → J4 SMA-F
- RUN → J5 SMA-F



TO: ePix10kA Test-Cable 000

Female

Banana

Solder wires and Heat-Shrink to Banana

Pinout

Info for assembly

Signals	Volts	AMPS	HD26 Male (J1)	TO	Break Out J#	Colors	Cable/Wire
CONN_MPS	3.3 TTL		Pin 1		J2.1	-	RG176
DGND			Pin 2		J2.BS	-	RG176
CONN_TG_OUT	3.3 TTL		Pin 3		J3.1	-	RG176
DGND			Pin 4		J3.BS	-	RG176
CONN_DAQ	3.3 TTL		Pin 5		J4.1	-	RG176
DGND			Pin 6		J4.BS	-	RG176
CONN_RUN	3.3 TTL		Pin 7		J5.1	-	RG176
DGND			Pin 8		J5.BS	-	RG176
CONN_DET_BIAS	~100		Pin 9		J6-P	Pair 1-RED	22[AWG] Twisted
AGND			Pin 10		J10	Black	22[AWG]
DGND			Pin 11		J12	Black	22[AWG]
AGND			Pin 12		J10	Black	22[AWG]
DGND			Pin 13		J12	Black	22[AWG]
SPARE_GND			Pin 14		J7-G	Pair 2-BLK	22[AWG] Twisted
AGND			Pin 15		J10	Black	22[AWG]
DGND			Pin 16		J12	Black	22[AWG]
TEC_GND			Pin 17*		J8-G	Pair 3-BLK	22[AWG] Twisted
CONN_DET_GND			Pin 18		J6-G	Pair 1-BLK	22[AWG] Twisted
CONN_ANA_VIN	6	0.2	Pin 19		J11	Red	22[AWG]
CONN_DIG_VIN	6	0.5	Pin 20		J13	Red	22[AWG]
CONN_ANA_VIN	6	0.2	Pin 21		J11	Red	22[AWG]
CONN_DIG_VIN	6	0.5	Pin 22		J13	Red	22[AWG]
SPARE_PWR			Pin 23		J7-P	Pair 2-RED	22[AWG] Twisted
CONN_ANA_VIN	6	0.2	Pin 24		J11	Red	22[AWG]
CONN_DIG_VIN	6	0.5	Pin 25		J13	Red	22[AWG]
TEC_VIN			Pin 26*		J8-P	Pair 3-RED	22[AWG] Twisted
?			Shield to backshell*		J9	Green	22[AWG]

* Missing from LCLS builds of CA-261-807-89

Info for assembly

Cable Labels

#	Label
1	Breakout-Mating for CA-261-807-89
2	DET_BIAS
3	SPARE
4	TEC
5	Volt > 50 [V] Current < 1 [mA]

BOM

#	Description	P/N	Qty
1	HD26 Male Connector, Crimp	1757824-8	1
2	DB26 pos backshell	?	2
3	Red Wire 22 AWG	?	6[ft]
4	Black Wire 22 AWG	?	6[ft]
5	Green Wire 22 AWG	?	1[ft]
6	White Wire 22 AWG	?	13[ft]
6	RED & BLK Twisted Pair 22 AWG	?	3[ft]
7	RG176 Co-Axial Cable	?	4[ft]
8	Red Banana-F	?	5
9	Black Banana-F	?	5
10	Green Banana-F	?	1
11	SMA-F	?	4

NOT DRAWN TO SCALE

1 of 1



ePix10kA single (small)

Mating-Pigtail

ENGR	DATE	APPROVALS
Scott T. Block	2/10/2023	
Scott T. Block	2/10/2023	
Scott T. Block	2/10/2023	

ePix10kA Test-Cable 001