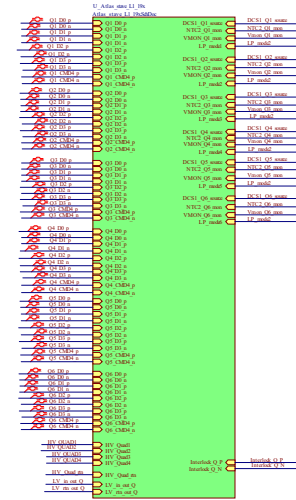
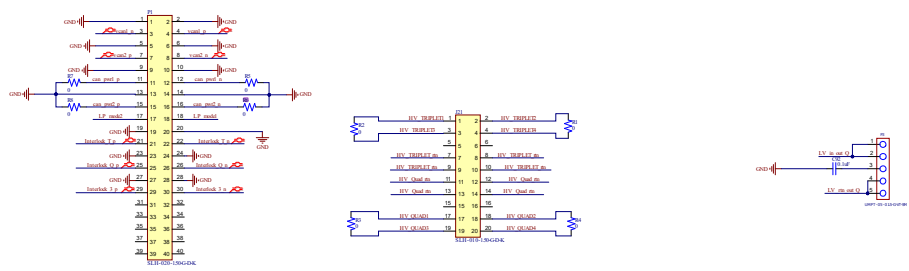
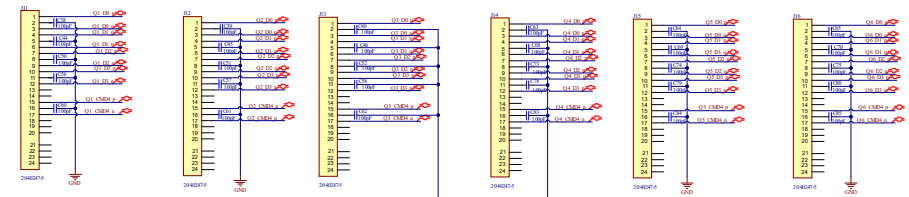
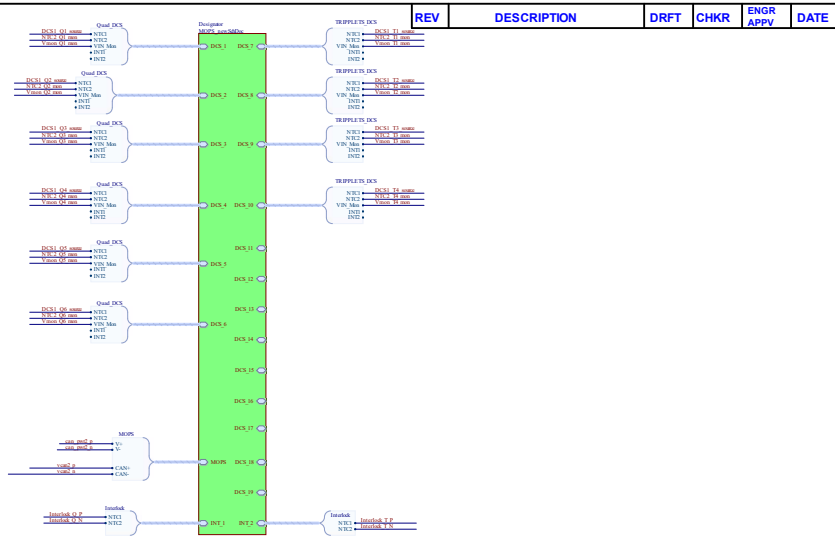


THE DRAWINGS, SPECIFICATIONS AND OTHER DATA HEREIN PROVIDED SHALL NOT BE COPIED, PUBLISHED OR OTHERWISE FURTHER DISSEMINATED WITHOUT PRIOR WRITTEN PERMISSION OF STANFORD UNIVERSITY/SLAC

C:\msdcs\slac\p01\proj\atlas\atlas_s\stave_pp0_1\11_j28\116.dwg

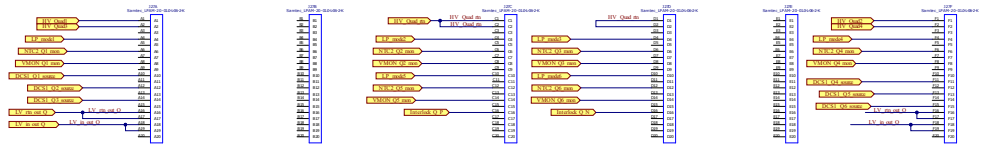
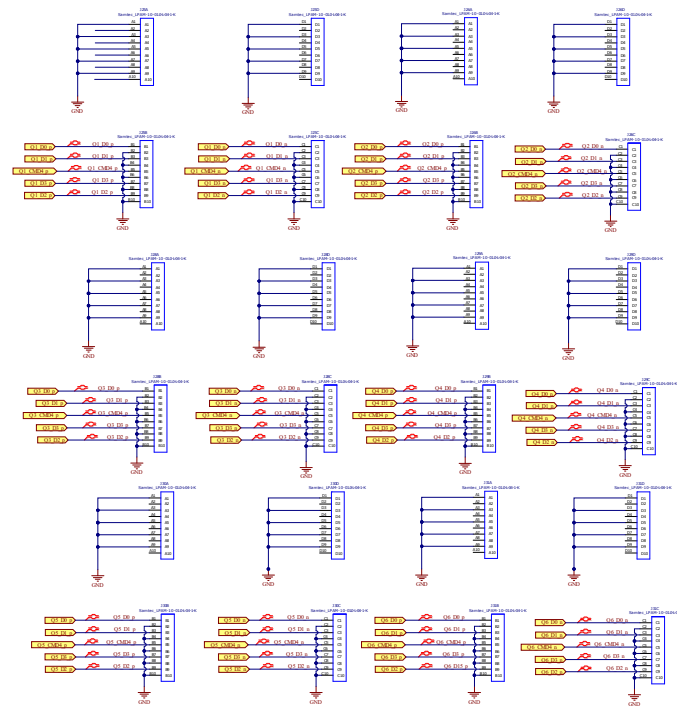
J31 J27 J30 J29 J28 J26 J25



C:\msdcs\slac\p01\proj\atlas\atlas_s\stave_pp0_1\11_j28\116.dwg

 NATIONAL ACCELERATOR LABORATORY		 U.S. DEPARTMENT OF ENERGY		CAD FILE: Atlas_stave_L1_SchDoc		SHEET 1 OF 3	
				ATLAS STAVE PP0 L1 Board			
THE DRAWINGS, SPECIFICATIONS AND OTHER DATA HEREIN PROVIDED SHALL NOT BE COPIED, PUBLISHED OR OTHERWISE FURTHER DISSEMINATED WITHOUT PRIOR WRITTEN PERMISSION OF STANFORD UNIVERSITY/SLAC							
ENGR: A. Young DRFT: A. Young CHKR: A. Young		DATE: 12/04/2003 12/04/2003 05/28/2002		APPROVALS		PROVISION: 02 D	
SD- 256-101-22				Atlas Stave PP0 L1 Board SLAC Release 19x_Stave_PP0_L1.P03b			

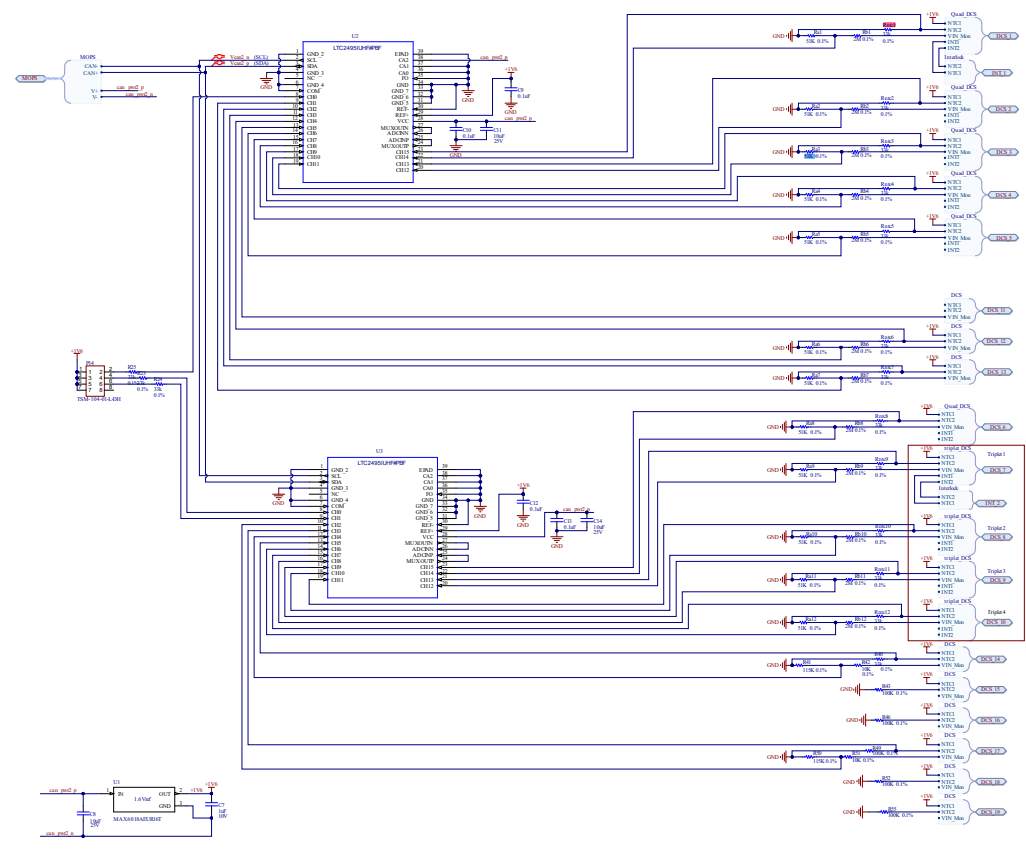
Note: Data2 and 3 are switch on LPAM to make type-0 easier to route



THE DRAWINGS, SPECIFICATIONS AND OTHER DATA HEREIN PROVIDED SHALL NOT BE COPIED, PUBLISHED OR OTHERWISE FURTHER DISSEMINATED WITHOUT PRIOR WRITTEN PERMISSION OF STANFORD UNIVERSITY/SLAC

 SLAC NATIONAL ACCELERATOR LABORATORY	 U.S. DEPARTMENT OF ENERGY	CAD FILE: Atlas_stave_L1_19x.SchDoc		SHEET 2 OF 3
		ATLAS STAVE PP0 L1 Board		
<small>THE DRAWINGS, SPECIFICATIONS AND OTHER DATA HEREIN PROVIDED SHALL NOT BE COPIED, PUBLISHED OR OTHERWISE FURTHER DISSEMINATED WITHOUT PRIOR WRITTEN PERMISSION OF STANFORD UNIVERSITY/SLAC</small>		DATE 12/04/2020	APPROVALS	
ENGR: A. Young	12/04/2020			
DRFT: A. Young	12/04/2020			
CHKR: A. Young	05/28/2022			



REV	DESCRIPTION	DRFT	CHKR	ENGR APPV	DATE
-----	-------------	------	------	-----------	------

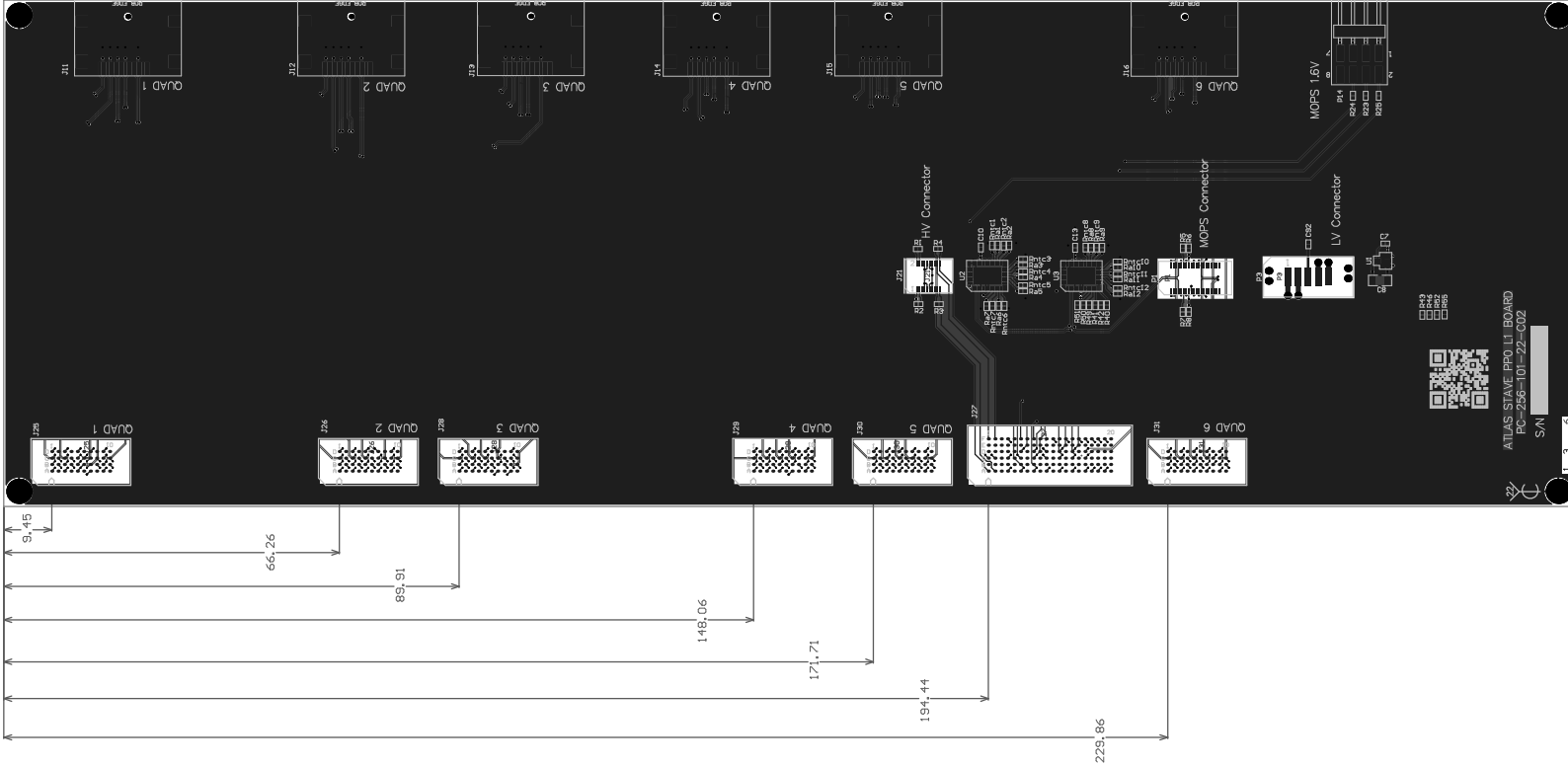


ATLAS Stave-PP0
Stave-PP0 L1 Board

MAXIMUM POWER
LIMITATION

THE DRAWINGS, SPECIFICATIONS AND OTHER DATA HEREIN PROVIDED SHALL NOT BE COPIED, PUBLISHED OR OTHERWISE FURTHER DISSEMINATED WITHOUT PRIOR WRITTEN PERMISSION OF STANFORD UNIVERSITY / SLAC

 		CAD FILE: MOPS_new.SchDoc		SHEET 3 OF 3	
ATLAS STAVE PP0 L1 Board					
THE DRAWINGS, SPECIFICATIONS AND OTHER DATA HEREIN PROVIDED SHALL NOT BE COPIED, PUBLISHED OR OTHERWISE FURTHER DISSEMINATED WITHOUT PRIOR WRITTEN PERMISSION OF STANFORD UNIVERSITY / SLAC					
		DATE 12/04/2020		APPROVALS	
ENGR: A. Young					
DRFT: A. Young					
CHKR: A. Young					
SD- 256-101-22				02 D	



(VIEWED FROM TOP)

 U.S. DEPARTMENT OF ENERGY NATIONAL ACCELERATOR LABORATORY		http://slac.stanford.edu	SHEET: 01 OF 10
ENGR: A. Young DATE: 12/04/2020		ATLAS STAVE PRO L1 BOARD	
DESG: C. Yee DATE: 06/28/2022		REVISION: 02	
PC-256-101-22		Alter Shove PPO L1 Board	



ATLAS STAVE PRO L1 BOARD
 PC-256-101-22-002

S/N