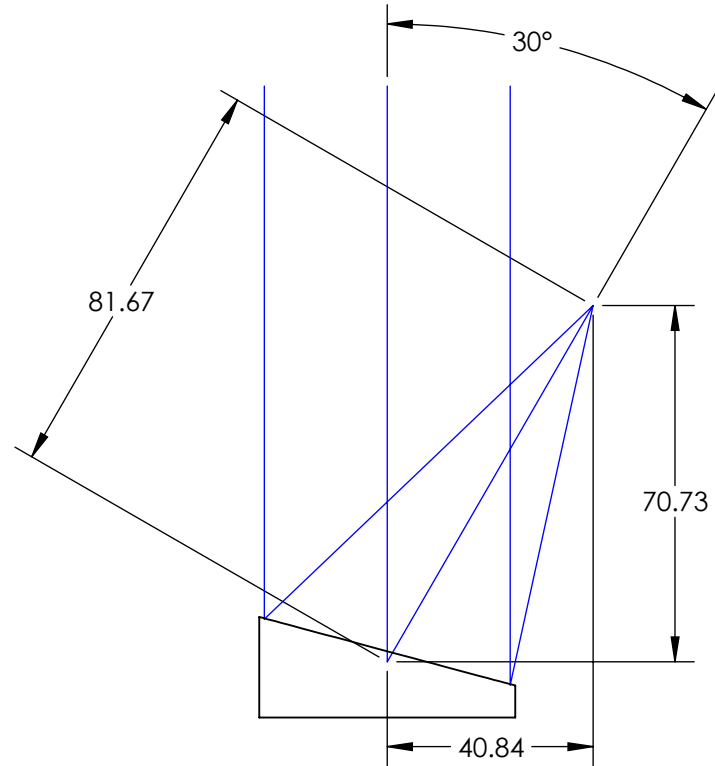
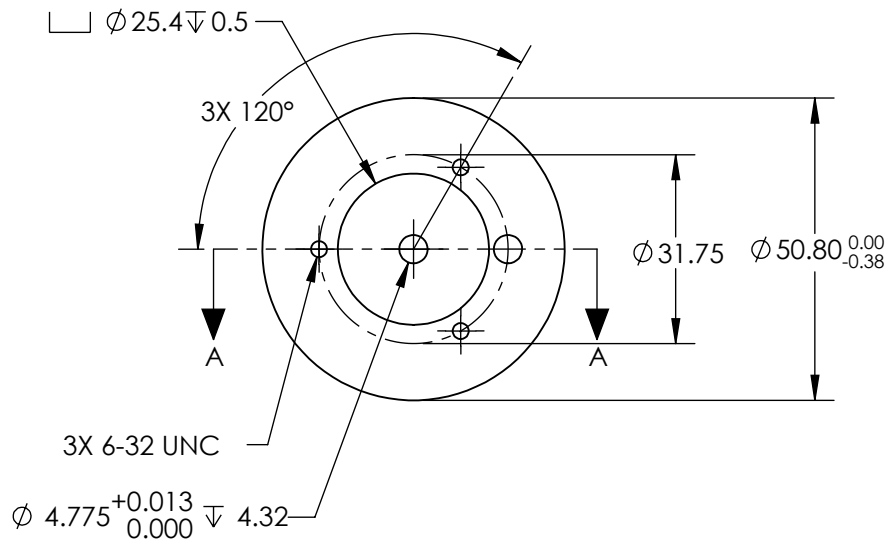
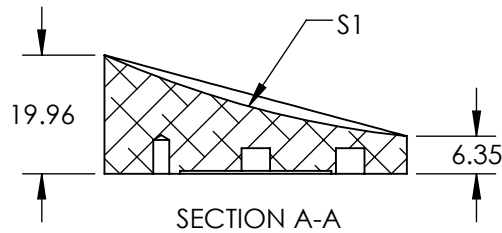
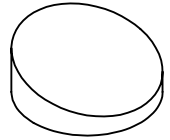


NOTES:

1. SUBSTRATE MATERIAL:  
ALUMINIUM
2. FINISH (EXCEPT SURFACE S1):  
BLACK ANODIZED
3. COATING (APPLY ACROSS CLEAR APERTURE)  
S1: PROTECTED GOLD  
R(AVG) >94% @ 0.7-0.8µm  
R(AVG) >97% @ 0.8-2.0µm  
R(AVG) >98% @ 2-12µm
- SURFACE ROUGHNESS: <100 Å RMS
4. FOCAL LENGTH TOLERANCE: ±1%
5. ROHS COMPLIANT

FOR INFORMATION ONLY:  
DO NOT MANUFACTURE  
PARTS TO THIS DRAWING



SPECIFICATIONS SUBJECT TO CHANGE WITHOUT NOTICE  
DIMENSIONS ARE FOR REFERENCE ONLY

REV. A	S1	EFL	81.67		<b>Edmund Optics®</b>
SHAPE	PARABOLIC	PFL	76.20		
REFLECTIVE WAVEFRONT DISTORTION AT 632.8nm (RMS)	1λ	THIRD ANGLE PROJECTION	TITLE	Ø50.8 X 81.67mm EFL 30° OAP PROTECTED GOLD MIRROR 100Å	
SURFACE FIGURE AT 632.8nm (RMS)	λ/2				
CLEAR APERTURE	90%	ALL DIMS IN	mm	DWG NO	35618
BEVEL	PROTECTIVE AS NEEDED				SHEET 1 OF 1