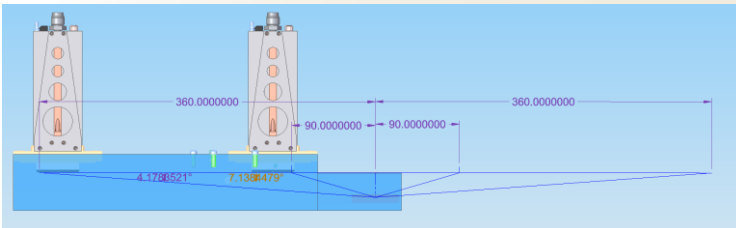
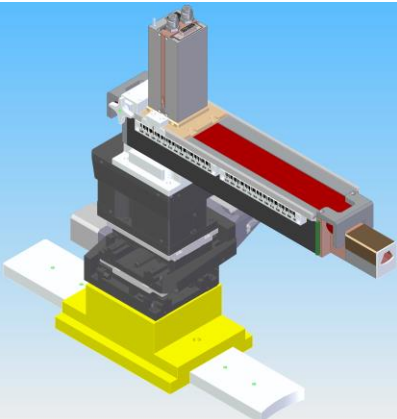
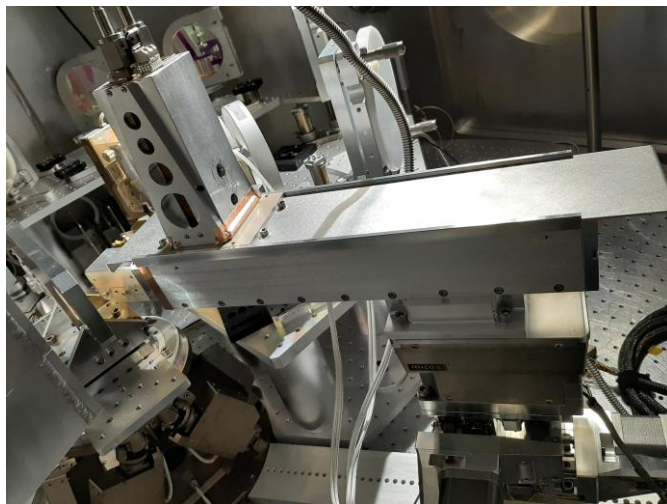
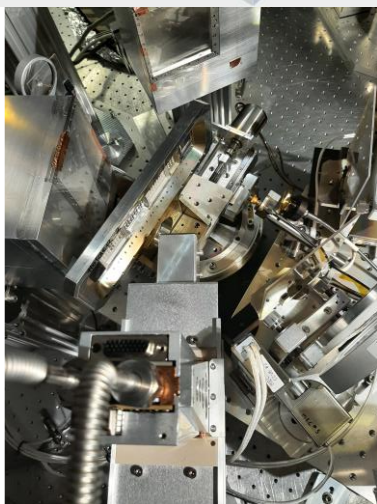
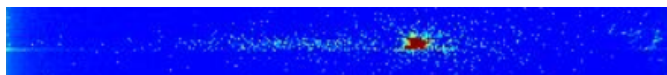


# Compact HAPG spectrometer



Ex: Compton feature under shock at 8.8 keV



Original version of HAPG spectrometer is available for the X-ray energy range from 4 keV to 8 keV

## New Compact HAPG spectrometer Concept

- extend spectral range from 8 to 25 keV
- compact and versatile
- ROC of HAPG crystal: 26.4 mm

## Capabilities

- Spectral energy by changing distance (d)
  - Min: 6.6 keV (d~90 mm)
  - Max: 25.3 keV (d~360 mm)
- manual adjustment of the X-ray photon energy range but motorized fine alignment of the spectrometer to TCC is available

## Compatibilities:

- XRD standard configuration: colinear
- XRD standard configuration : perpendicular
- MXI
- non-standard setups