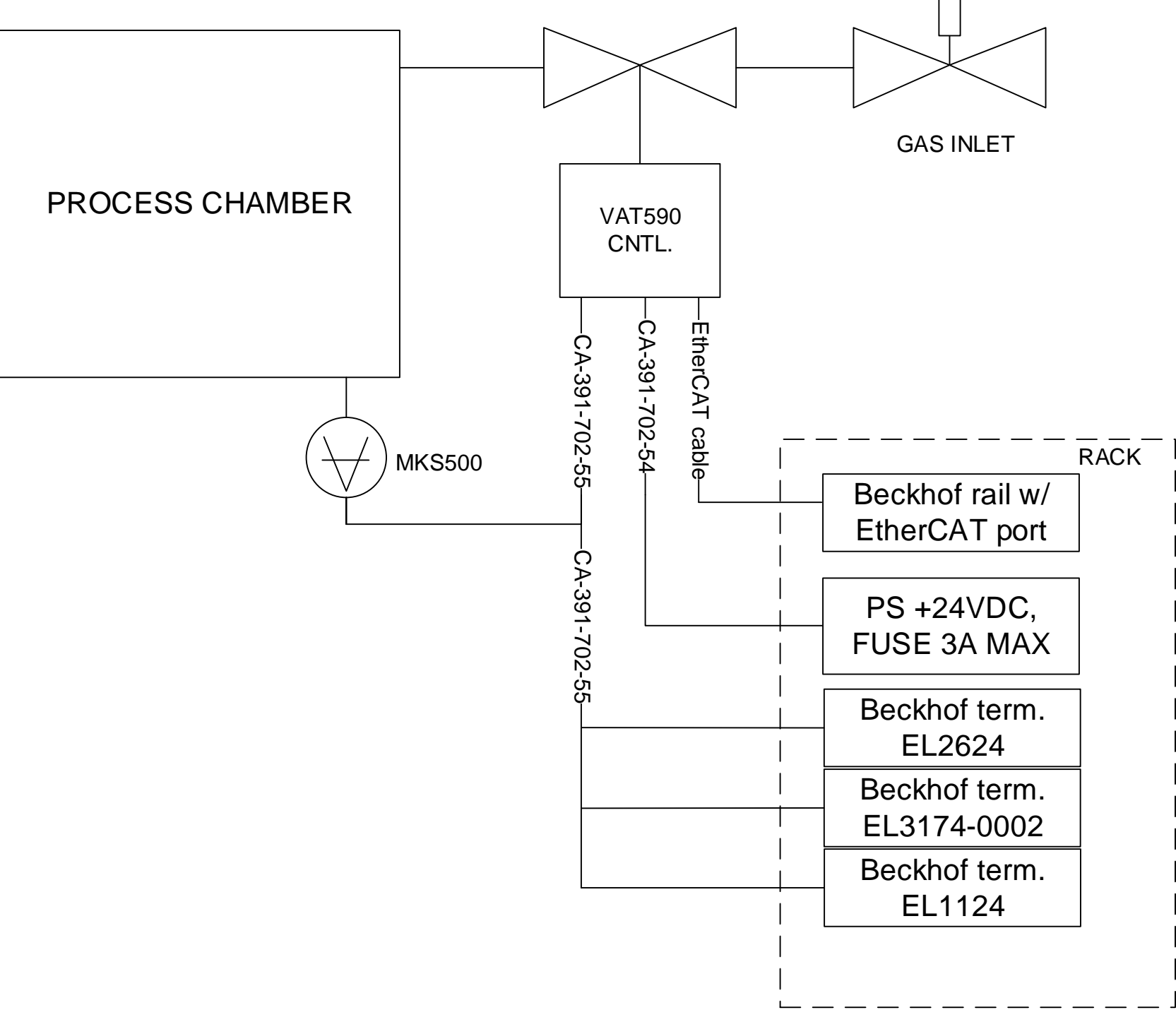




| REV | DESCRIPTION | DWN | CHKR | APVD | DATE |
|-----|-----------------|-----|------|------|------------|
| 0 | Initial release | JG | | | 10/12/2021 |

VAT590 SCHEMATIC



| | | |
|---|-------------------------|-------------------------------|
| SCALE 1:1 | VAT590 Schematic_EL.vsd | 1 of 1 |
|   | | VAT590 Schematic |
| ENGR J. Govednik | DATE 10/21/2021 | APPROVALS L. Salgado X/X/2021 |
| DRTS J. Govednik | DATE 10/21/2021 | |
| CHKD J. Yin | DATE X/X/2021 | |
| CA | XXXXXXXXXX | 00 |