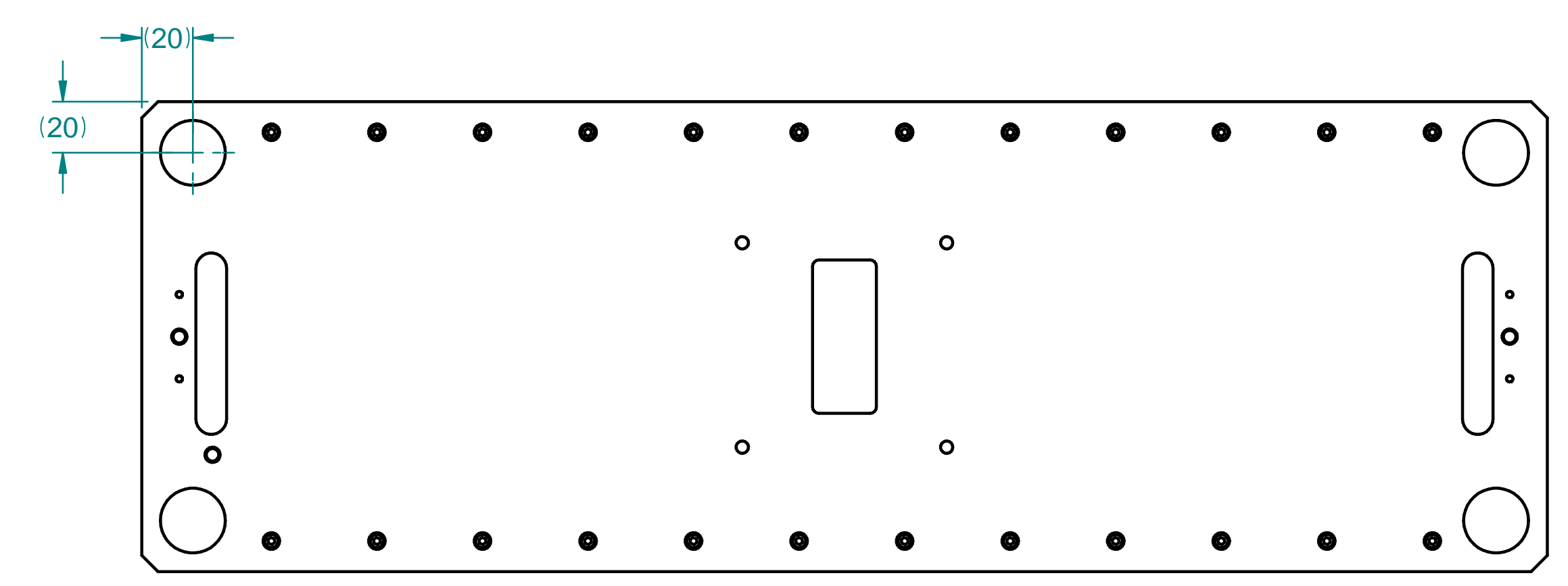
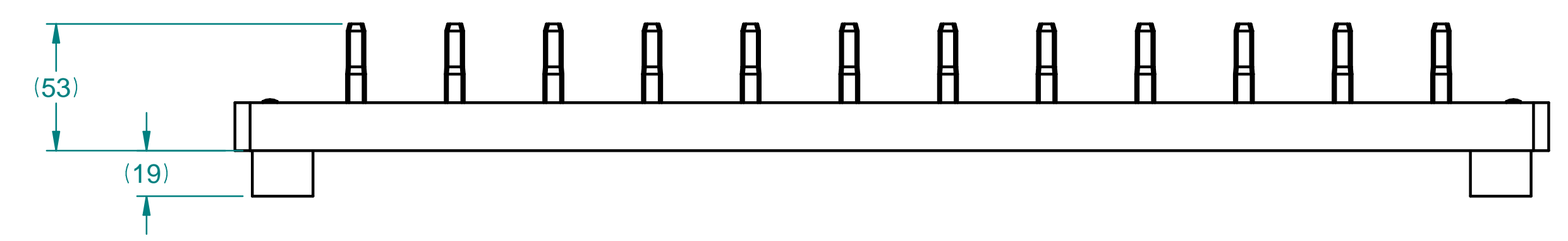
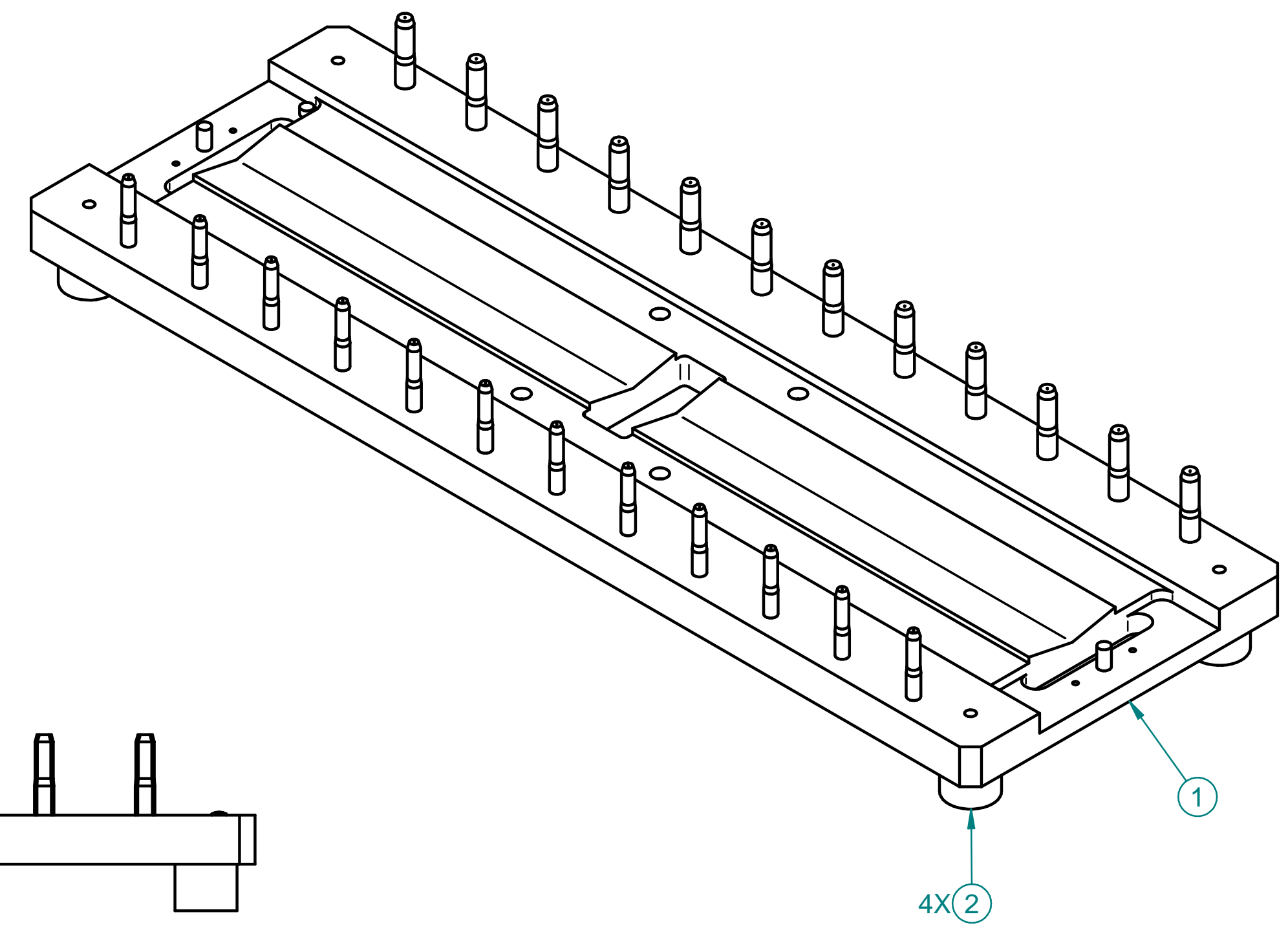


NOTES:
 1. INSTALL ITEM 2 (FEET) AS SHOWN, 4 PLACES.
 PROTECT ITEM 1 (BASEPLATE) PINS DURING HANDLING.

CHECK-PRINT
 newbry
 02-23-2022 03:30:39 PM



2	MCMASTER 8926T87	BUMPER, SILICONE, M6 POST	4
1	REF-000203575	BASEPLATE AND PINS, LOADING FIXTURE, OB STAVE 19-1	1
ITEM NUMBER	DESCRIPTION		QTY

---	DIMENSIONING AND TOLERANCING IS IN ACCORDANCE WITH ASME Y14.5-2009							
---	UNLESS OTHERWISE SPECIFIED DIMENSIONS ARE IN MILLIMETERS							
---	TOLERANCES: BREAK EDGES 0.13 - 0.4 INTERNAL CORNERS R 0.4 MAX							
---	ANGLE ± 1° ALL SURF 125							
REF-000202041	NEXT ASSEMBLIES:							
	DIMENSIONS	< 6	> 6	> 30	> 120	> 315	> 1000	> 2000
	GENERAL TOLERANCES	± 0.1	± 0.2	± 0.3	± 0.5	± 0.8	± 1.2	± 2

SCALE: 1:2 DO NOT SCALE DRAWING ESTIMATED MASS: 4.93 kg DWG TYPE: ASSY

SLAC NATIONAL ACCELERATOR LABORATORY **U.S. DEPARTMENT OF ENERGY**

ATLAS ITk LOADING FIXTURE, 19-1 OB STAVE, BASEPLATE AND FEET

THE DRAWINGS, SPECIFICATIONS AND OTHER DATA HEREIN PROVIDED SHALL NOT BE COPIED, PUBLISHED OR OTHERWISE FURTHER DISSEMINATED WITHOUT PRIOR WRITTEN PERMISSION OF STANFORD UNIVERSITY/SLAC

ENGR S. NEWBRY DATE 20220223 APPROVALS
 DWN S. NEWBRY
 CHKR ---

DRAWING NUMBER REF-000205009 REVISION NUMBER A D

CAD FILE NAME: Draft2