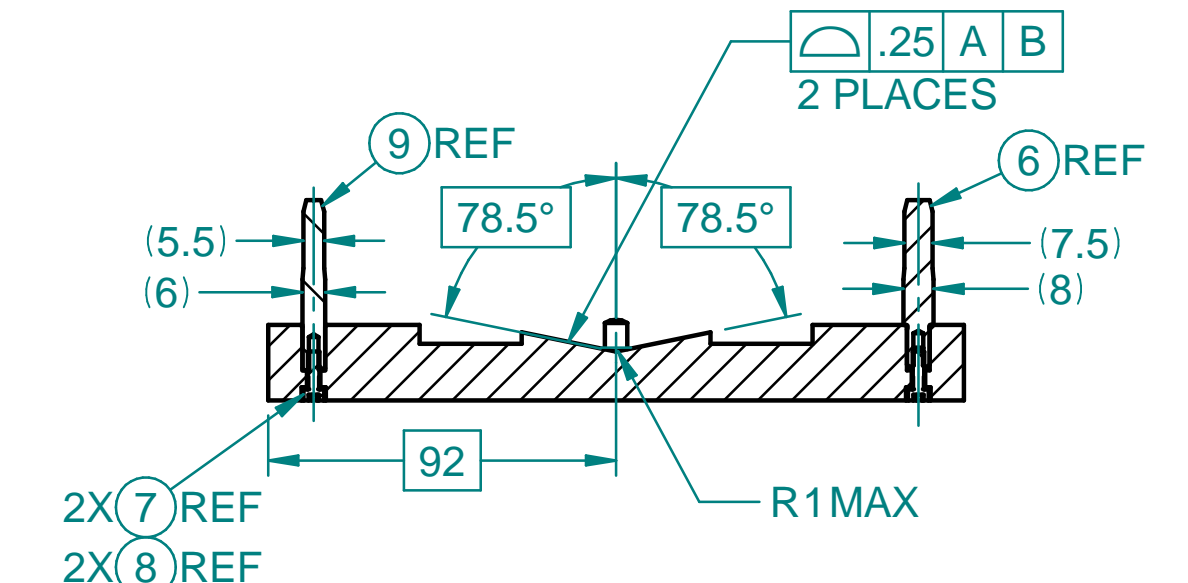
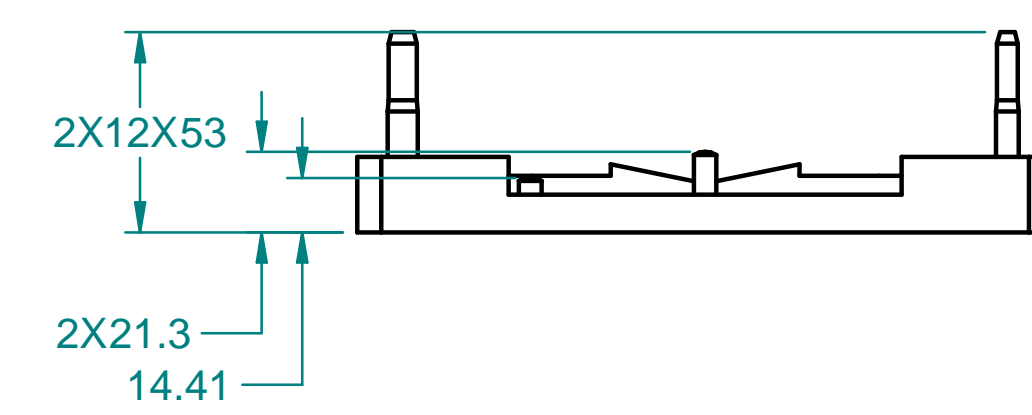
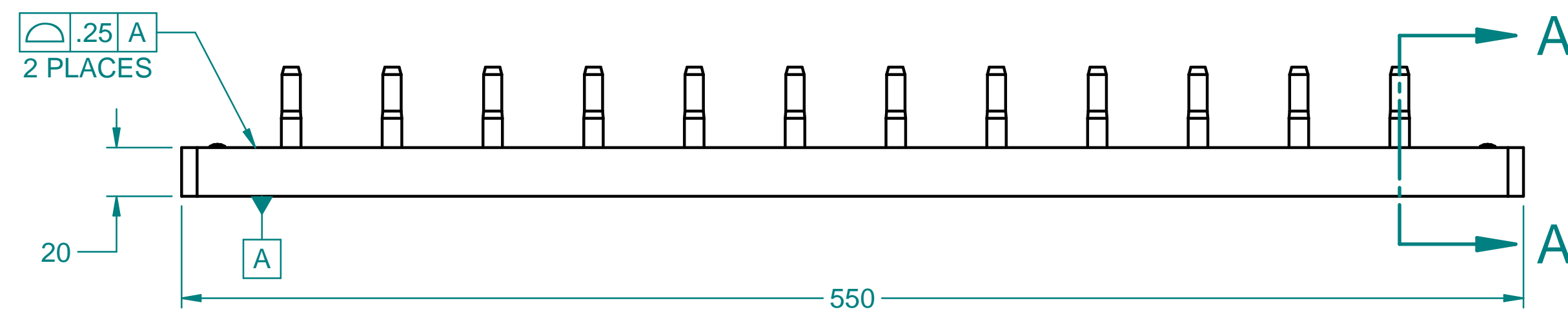
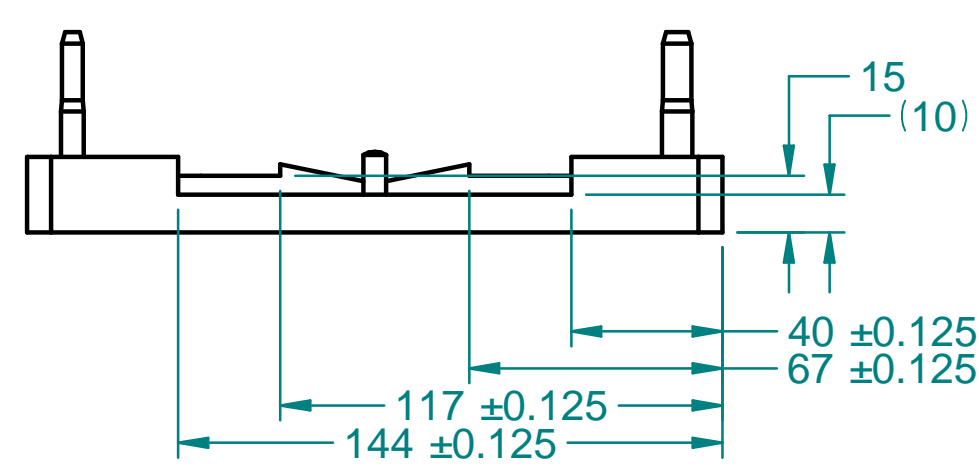
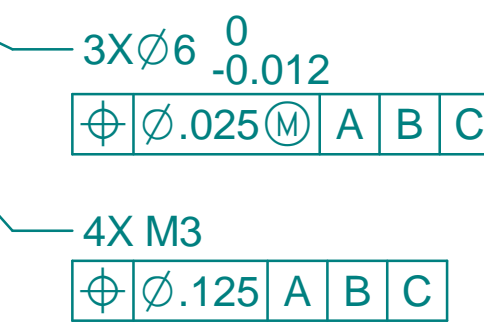
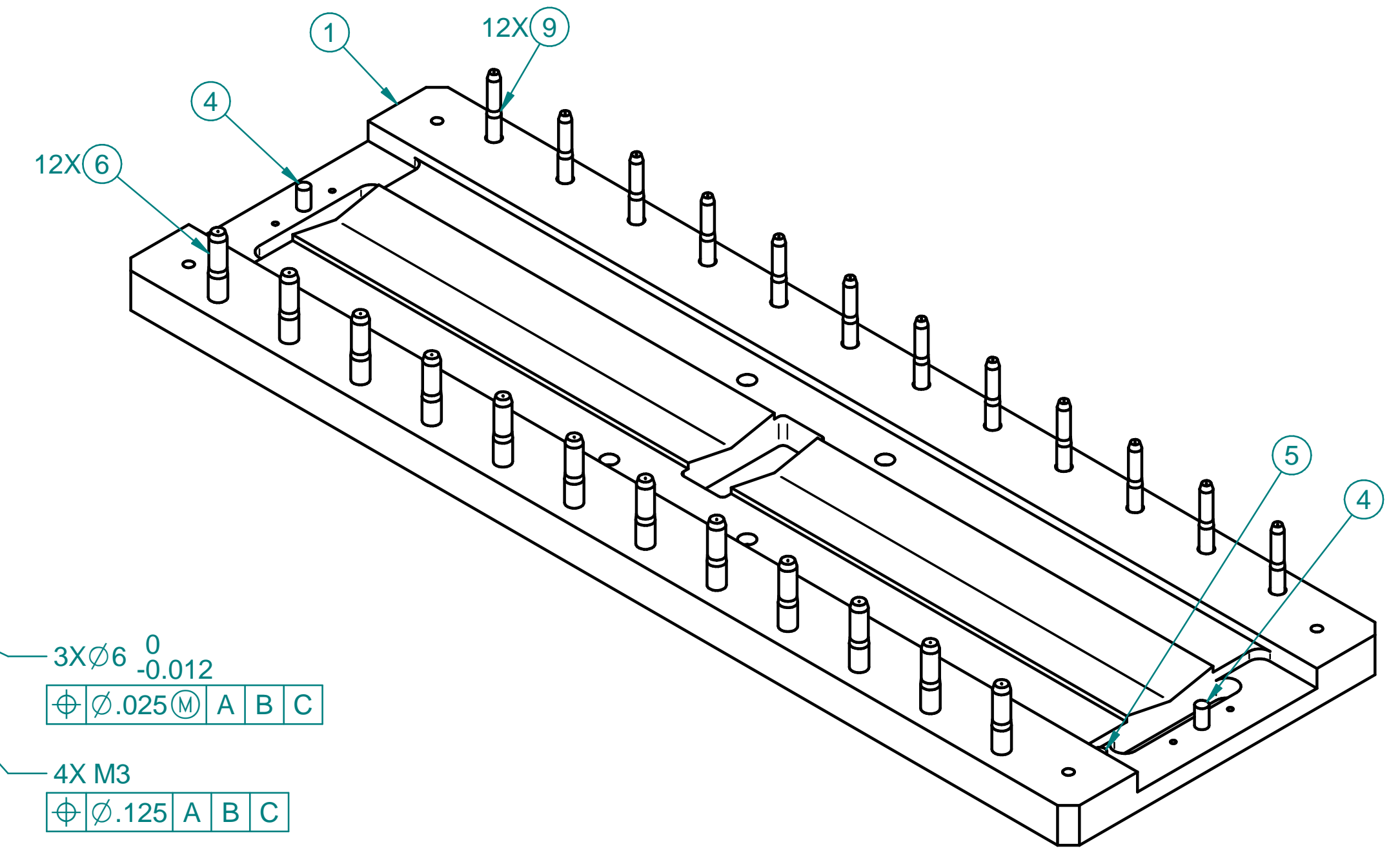
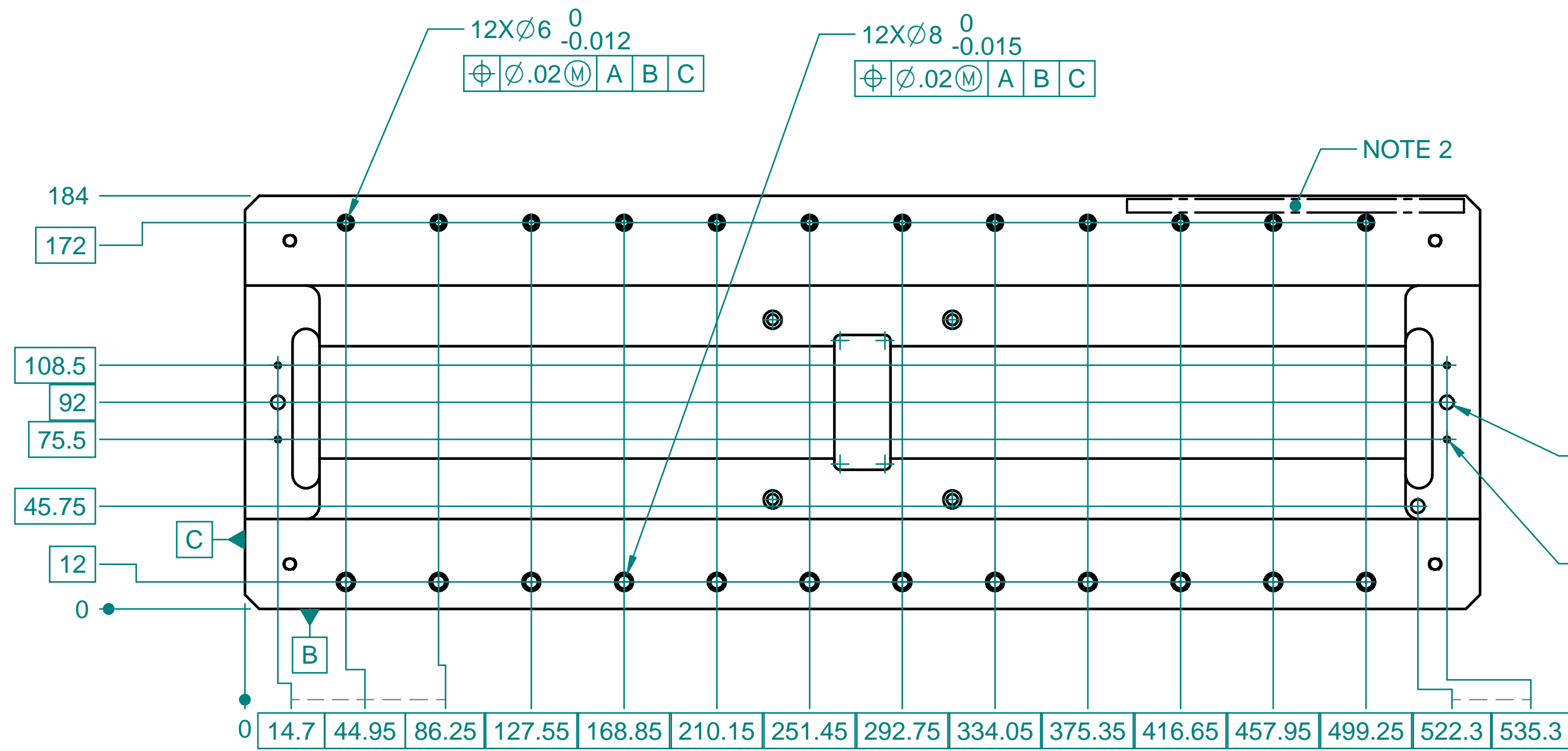


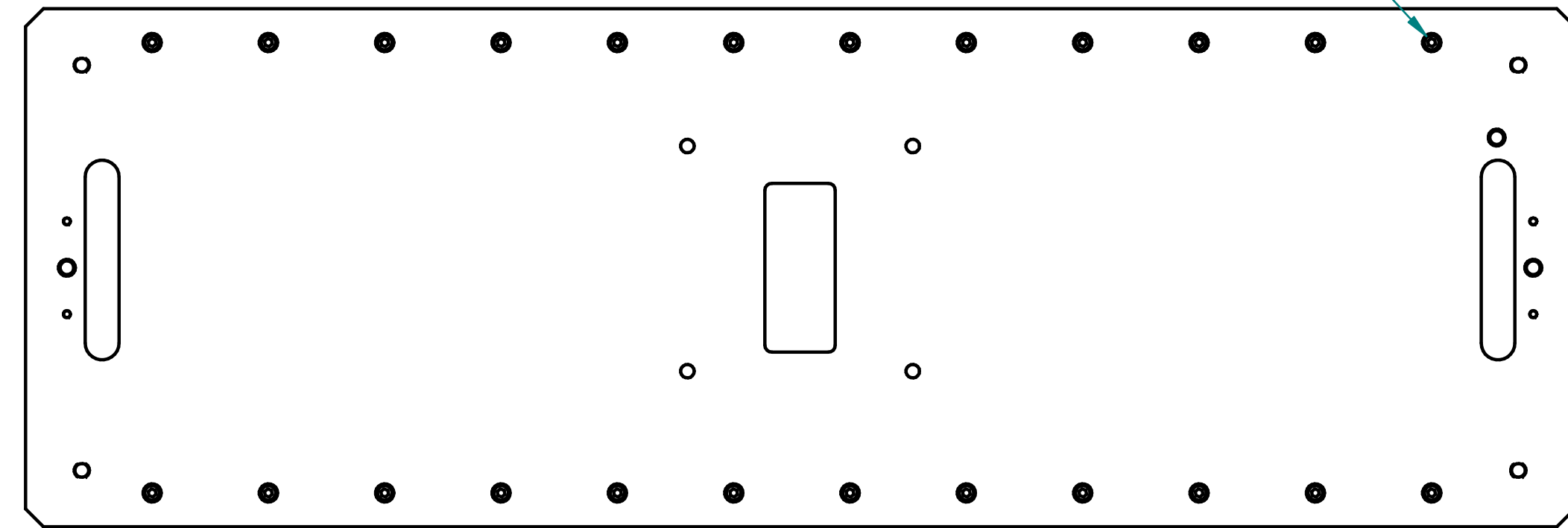
NOTES UNLESS OTHERWISE SPECIFIED:

1. MATERIAL: SEE TABLE. DO NOT SUBSTITUTE.
2. EMBOSS OR ENGRAVE PART AND REVISION NUMBER APPROX. WHERE SHOWN.
3. DEGREASE WITH ALCOHOL AND CUSHION TO PROTECT FROM HANDLING DAMAGE.

**CHECK-PRINT**  
 newbry  
 03-03-2022 02:53:03 PM

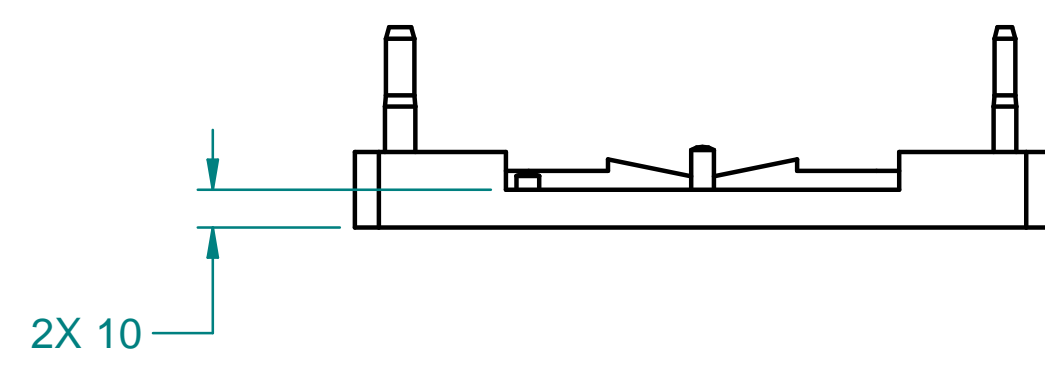
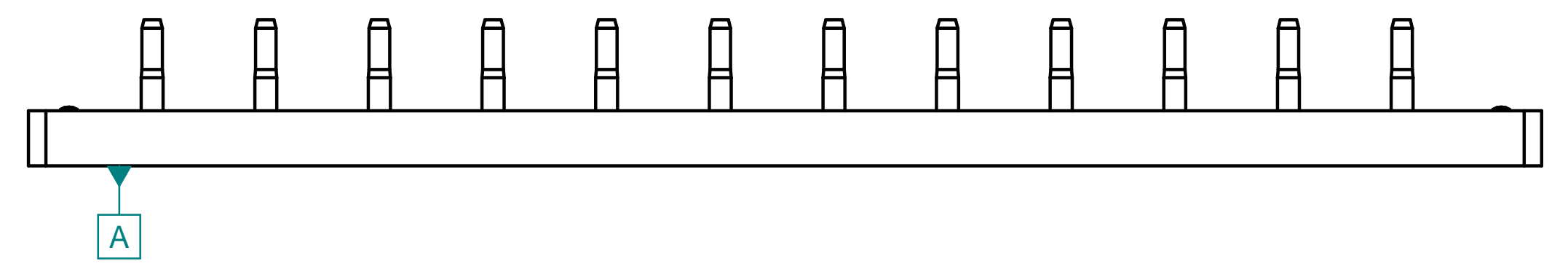
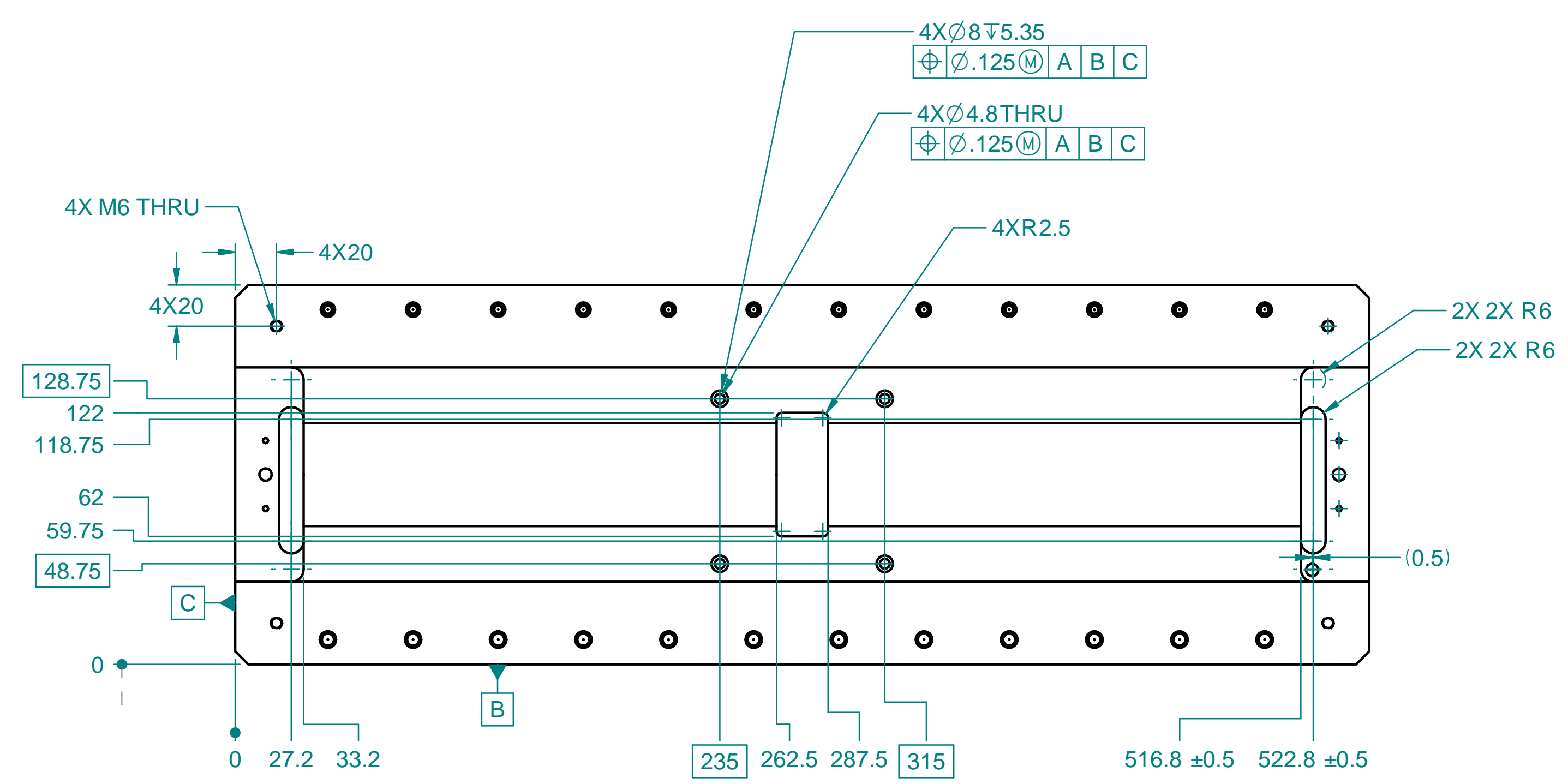


**SECTION A-A**



ITEM	NUMBER	DESCRIPTION	QTY
9	MISUMI SWPG6-P6.00-Q5.50-L12-B12.0-E3.0-F15.0	DOWEL PIN, STEPPED, 6 OD, H7 TOL., SST	12
8		WASHER, FLAT, NAR, M3, SST	24
7	UC COMPONENTS MC -310-NW	SCREW, CAP, SKT HD, M3X0.5 X 10mm, SST 316, COATED WS2	24
6	MISUMI HWP6-P8.00-Q7.50-L11-B12.0-E3.0-F15.0	DOWEL PIN, STEPPED, 8 OD, H7 TOL., SST	12
5	MISUMI MSH6-30	DOWEL PIN, UNDERSIZED, 6 DIA, 30 LG, SST	1
4	MISUMI MSH6-30	DOWEL PIN, UNDERSIZED, 6 DIA, 30 LG, SST	2
1	DSG-000008292	PLATE, STAVE HANDLING, 19-0	1

DIMENSIONING AND TOLERANCING IS IAW ASME Y14.5-2009  UNLESS OTHERWISE SPECIFIED DIMENSIONS ARE IN MILLIMETERS TOLERANCES: BREAK EDGES 0.13 - 0.4 INTERNAL CORNERS R 0.4 MAX ANGLE ± 1° ALL SURF REF-000202041 NEXT ASSEMBLIES:	SCALE: 1:2 DO NOT SCALE DRAWING ESTIMATED MASS: 4.934 kg DWG TYPE: ASSY	U.S. DEPARTMENT OF <b>SLAC</b> <b>ENERGY</b> NATIONAL ACCELERATOR LABORATORY THE DRAWINGS, SPECIFICATIONS AND OTHER DATA HEREIN PROVIDED SHALL NOT BE COPIED, PUBLISHED OR OTHERWISE FURTHER DISSEMINATED WITHOUT PRIOR WRITTEN PERMISSION OF STANFORD UNIVERSITY/SLAC	<b>ATLAS ITk LOADING FIXTURE, 19-1 OB STAVE, BASEPLATE AND PINS</b>
	ENGR S. NEWBRY DWN S. NEWBRY CHKR ---	DATE 20220214 APPROVALS --- --- ---	DRAWING NUMBER <b>REF-000203575</b>



---	DIMENSIONING AND TOLERANCING IS IN ACCORDANCE WITH ASME Y14.5-2009	SCALE: 1:2 DO NOT SCALE DRAWING	ESTIMATED MASS: 4.934 kg	DWG TYPE: ASSY
---	UNLESS OTHERWISE SPECIFIED DIMENSIONS ARE IN MILLIMETERS	<b>SLAC</b> NATIONAL ACCELERATOR LABORATORY	<b>U.S. DEPARTMENT OF ENERGY</b>	<b>ATLAS ITk LOADING FIXTURE, 19-1 OB STAVE, BASEPLATE AND PINS</b>
---	TOLERANCES: BREAK EDGES 0.13 - 0.4 INTERNAL CORNERS R 0.4 MAX	THE DRAWINGS, SPECIFICATIONS AND OTHER DATA HEREIN PROVIDED SHALL NOT BE COPIED, PUBLISHED OR OTHERWISE FURTHER DISSEMINATED WITHOUT PRIOR WRITTEN PERMISSION OF STANFORD UNIVERSITY/SLAC		
---	ANGLE ± 1° ALL SURF	APPROVALS		
REF-00202041	125	ENGR S. NEWBRY	DATE 20220214	---
NEXT ASSEMBLIES:	DIMENSIONS	DWN S. NEWBRY	---	DRAWING NUMBER
	GENERAL TOLERANCES	CHKR ---	---	REF-00203575
				REVISION NUMBER
				A
				D

CAD FILE NAME: REF-00203575.dft