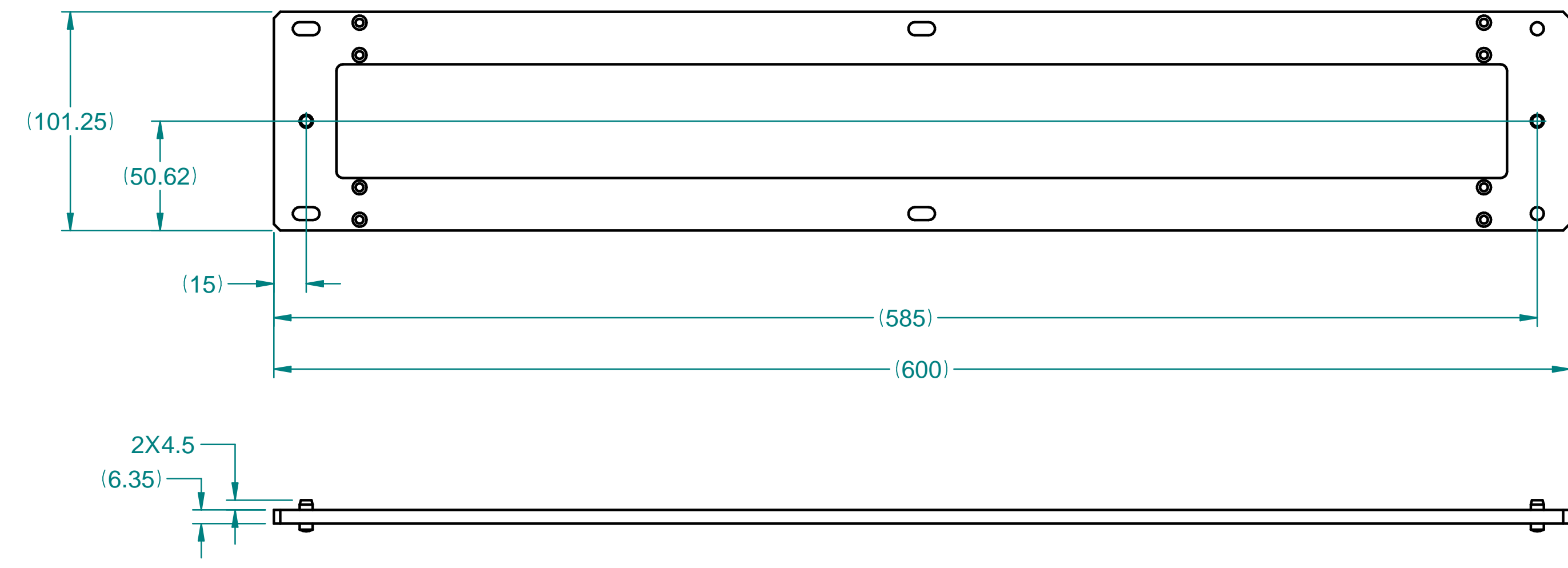
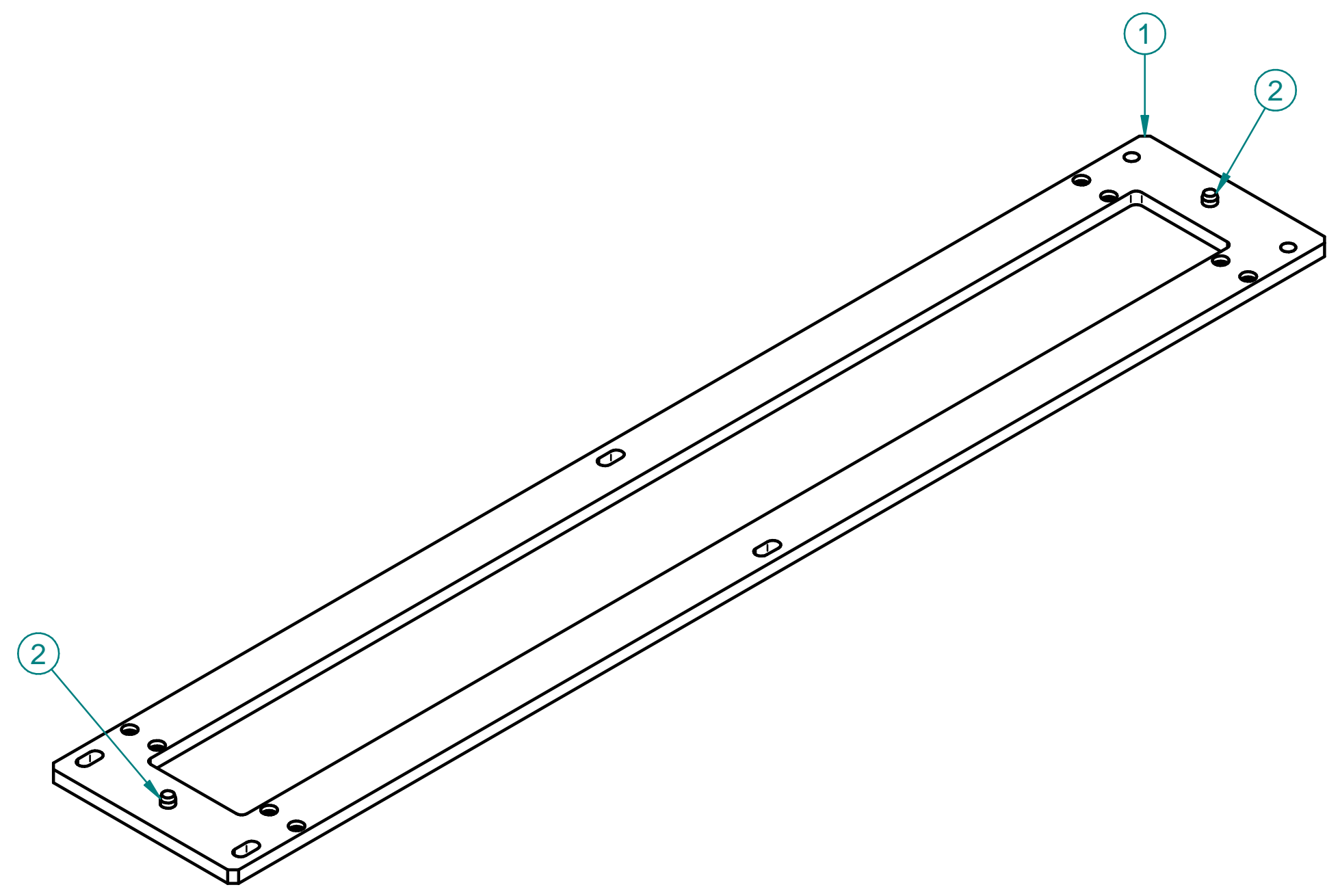


REF-000203572	1				
REV	DESCRIPTION	DWN	CHKR	APVD	DATE

NOTES UNLESS OTHERWISE SPECIFIED:
 1. MATERIAL: SEE TABLE
 2. APPLY ITEM 3 (ADHESIVE) TO JOIN ITEMS 1 AND 2

CHECK-PRINT
 newbry
 02-13-2022 04:07:41 PM



ITEM	PART NO	TITLE OR DESCRIPTION	MATERIAL	QTY
3		LOCTITE 422	ADHESIVE, 1 OZ.	1
2		MISUMI MSH6-12	SST	2
1	REF-000202292	HANDLING PLATE, LOADING, 19-1 OB STAVE	CARBON FIBER, 0/90DEG LAYUP	1

DIMENSIONING AND TOLERANCING IS IAW ASME Y14.5-2009		SCALE: 1:2 DO NOT SCALE DRAWING	ESTIMATED MASS: 0 kg	DWG TYPE: ASSY																	
UNLESS OTHERWISE SPECIFIED DIMENSIONS ARE IN MILLIMETERS			ATLAS ITK CONTAINER, 19-1 OB STAVE HANDLING FRAME AND PINS																		
TOLERANCES: BREAK EDGES 0.13 - 0.4 INTERNAL CORNERS R 0.4 MAX ANGLE ± 1° ALL SURF 125																					
REF-000202479		ENGR S. NEWBRY DWN S. NEWBRY CHKR ---	DATE 20220212	APPROVALS																	
NEXT ASSEMBLIES:	<table border="1"> <tr> <th>DIMENSIONS</th> <th>< 6</th> <th>> 6</th> <th>> 30</th> <th>> 120</th> <th>> 315</th> <th>> 1000</th> <th>> 2000</th> </tr> <tr> <th>GENERAL TOLERANCES</th> <td>± 0.1</td> <td>± 0.2</td> <td>± 0.3</td> <td>± 0.5</td> <td>± 0.8</td> <td>± 1.2</td> <td>± 2</td> </tr> </table>	DIMENSIONS	< 6	> 6	> 30	> 120	> 315	> 1000	> 2000	GENERAL TOLERANCES	± 0.1	± 0.2	± 0.3	± 0.5	± 0.8	± 1.2	± 2	DRAWING NUMBER REF-000203572		REVISION NUMBER A	D
DIMENSIONS	< 6	> 6	> 30	> 120	> 315	> 1000	> 2000														
GENERAL TOLERANCES	± 0.1	± 0.2	± 0.3	± 0.5	± 0.8	± 1.2	± 2														