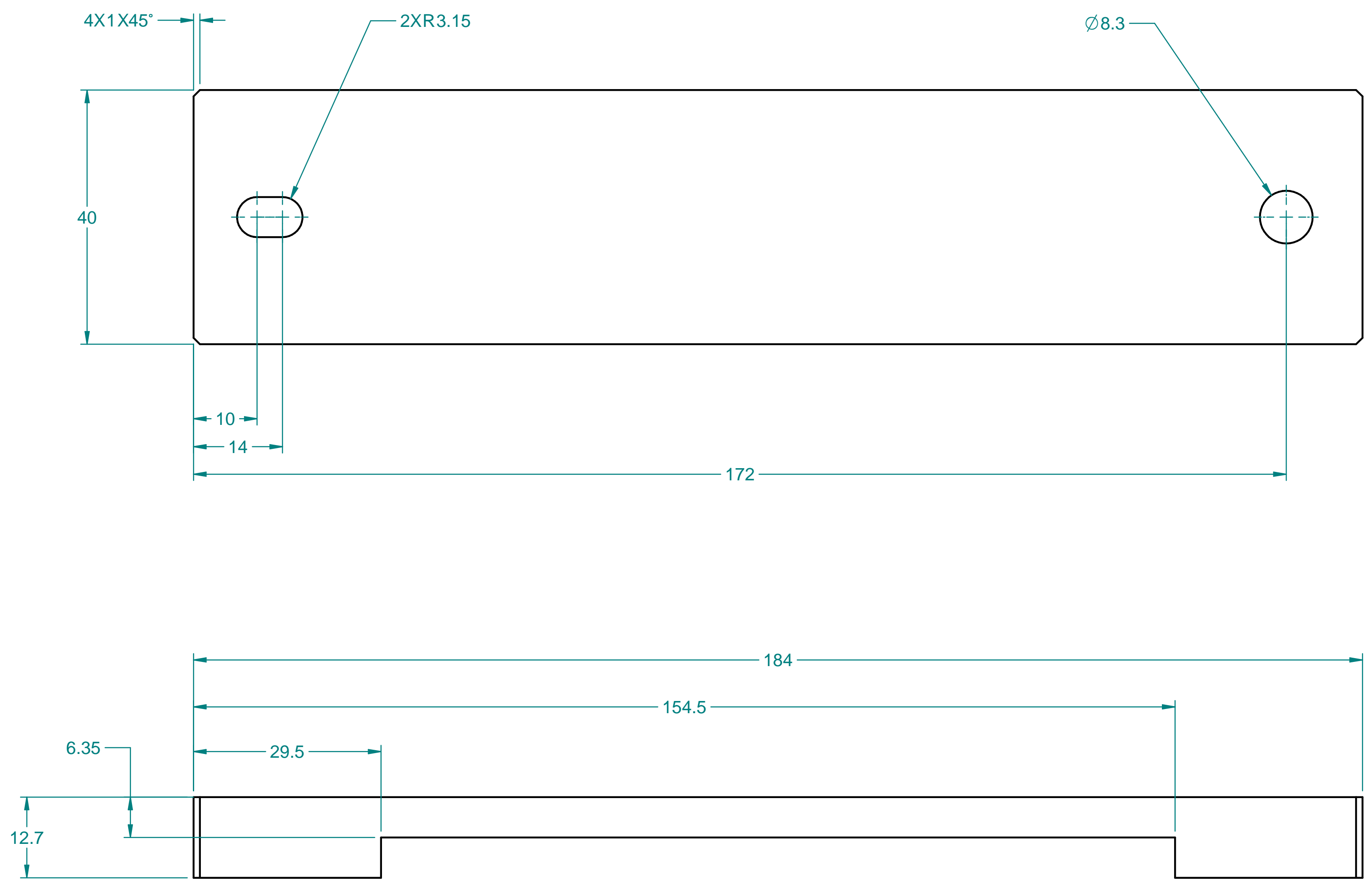
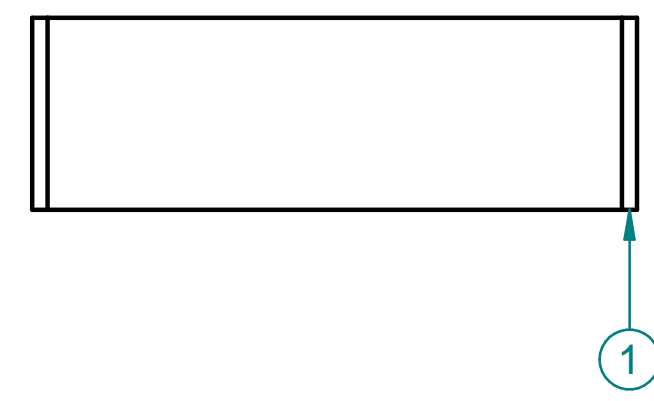
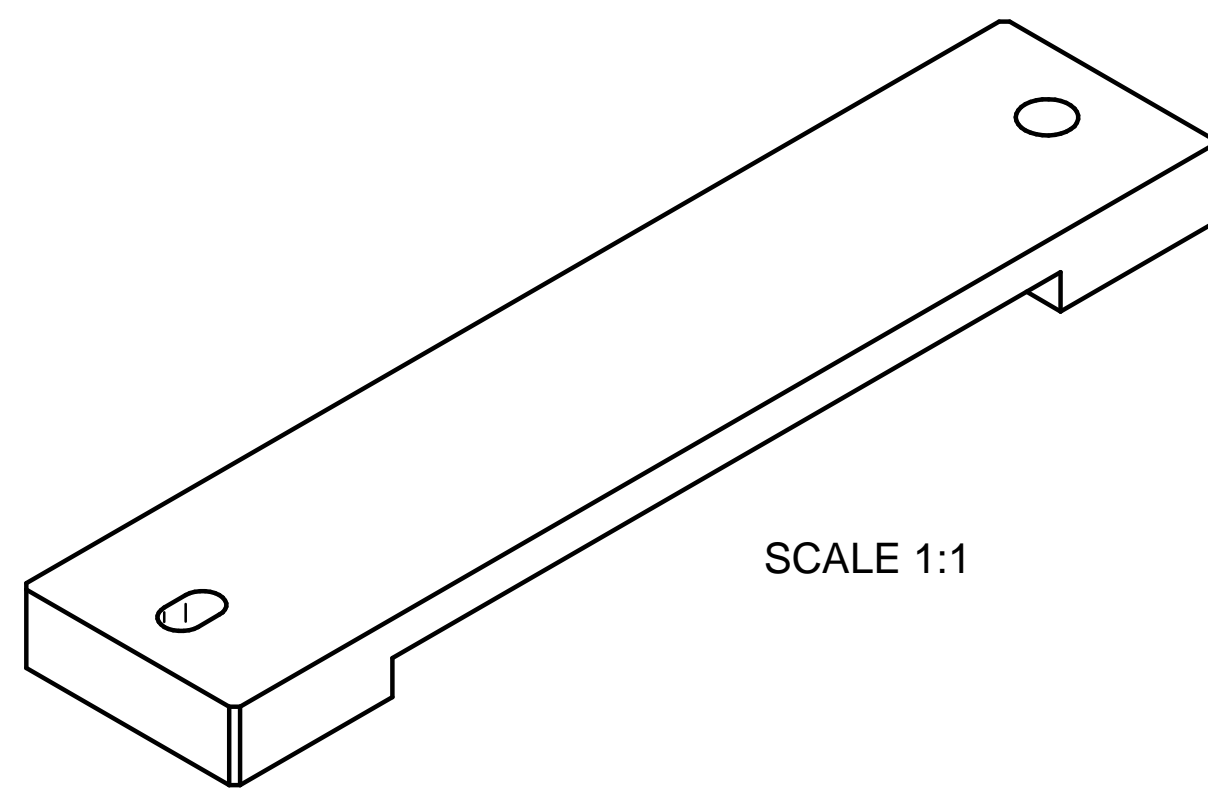


REF-000202337	1
REV	DESCRIPTION
DWN	CHKR
APV	DATE

CHECK-PRINT
newbry
02-24-2022 12:43:29 PM



1	POLYETHYLENE, STATIC DISSIPATIVE	1
ITEM	MATERIAL	QTY

---	DIMENSIONING AND TOLERANCING IS IAW ASME Y14.5-2009	SCALE: 2:1 DO NOT SCALE DRAWING	ESTIMATED MASS: 0.065 kg	DWG TYPE: ASSY
---	UNLESS OTHERWISE SPECIFIED DIMENSIONS ARE IN MILLIMETERS	SLAC NATIONAL ACCELERATOR LABORATORY	U.S. DEPARTMENT OF ENERGY	ATLAS INNER PIXEL MECH LOADING TOOLING, 19-1 OB STAVE, COVER SECTION
---	TOLERANCES: BREAK EDGES 0.13 - 0.4 INTERNAL CORNERS R 0.4 MAX	THE DRAWINGS, SPECIFICATIONS AND OTHER DATA HEREIN PROVIDED SHALL NOT BE COPIED, PUBLISHED OR OTHERWISE FURTHER DISSEMINATED WITHOUT PRIOR WRITTEN PERMISSION OF STANFORD UNIVERSITY/SLAC		
---	ANGLE ± 0.5 ALL SURF 1.6	ENGR NEWBRY	DATE 20220224	APPROVALS
---	---	DWN NEWBRY	---	---
---	---	CHKR ---	---	---
DSG-000202041	DIMENSIONS <6 ±0.1 >6 ±0.2 >30 ±0.3 >120 ±0.5 >315 ±0.8 >1000 ±1.2 >2000 ±2	DRAWING NUMBER REF-000202337		
NEXT ASSEMBLIES:	GENERAL TOLERANCES	REVISION NUMBER A		
		D		