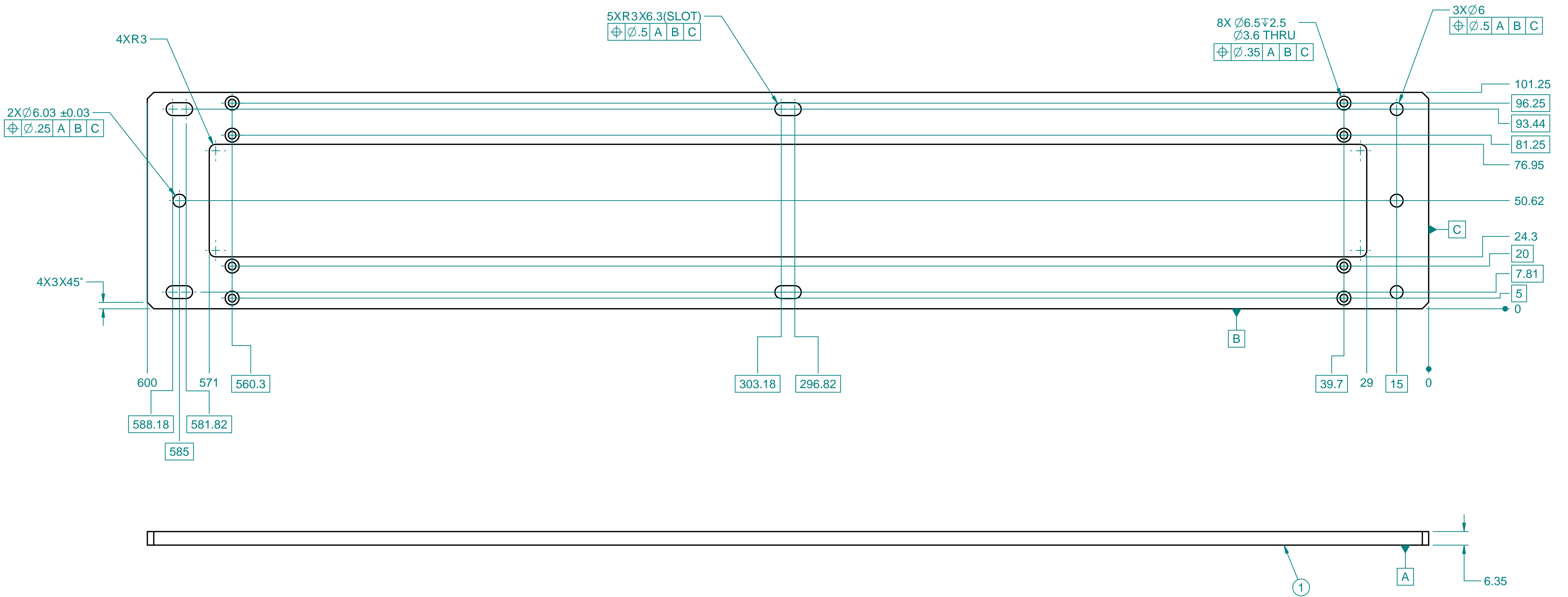


**CHECK-PRINT**  
newbry  
02-13-2022 03:46:51 PM

| REV | DESCRIPTION | DWN | CHKR | APVD | DATE |
|-----|-------------|-----|------|------|------|
| 1   |             |     |      |      |      |



|      |                             |
|------|-----------------------------|
| 1    | CARBON FIBER, 0/90DEG LAYUP |
| ITEM | MATERIAL                    |

| ---                | DIMENSIONING AND TOLERANCING IS IN ACCORDANCE WITH ASME Y14.5-2009  |       |            |       |       |        |        |       |        |        |                    |       |       |       |       |       |       |     |
|--------------------|---|-------|------------|-------|-------|--------|--------|-------|--------|--------|--------------------|-------|-------|-------|-------|-------|-------|-----|
| ---                | UNLESS OTHERWISE SPECIFIED DIMENSIONS ARE IN MILLIMETERS  |       |            |       |       |        |        |       |        |        |                    |       |       |       |       |       |       |     |
| ---                | TOLERANCES:   |       |            |       |       |        |        |       |        |        |                    |       |       |       |       |       |       |     |
| ---                | BREAK EDGES 0.13 - 0.4  |       |            |       |       |        |        |       |        |        |                    |       |       |       |       |       |       |     |
| ---                | INTERNAL CORNERS R 0.4 MAX  |       |            |       |       |        |        |       |        |        |                    |       |       |       |       |       |       |     |
| ---                | ANGLE ± 1° ALL SURF   |       |            |       |       |        |        |       |        |        |                    |       |       |       |       |       |       |     |
| REF-000203023      |   |       |            |       |       |        |        |       |        |        |                    |       |       |       |       |       |       |     |
| NEXT ASSEMBLIES:   | <table border="1"> <tr> <th>DIMENSIONS</th> <th>&lt; 6</th> <th>&gt; 6</th> <th>&gt; 30</th> <th>&gt; 120</th> <th>&gt; 315</th> <th>&gt; 1000</th> <th>&gt; 2000</th> </tr> <tr> <th>GENERAL TOLERANCES</th> <td>± 0.1</td> <td>± 0.2</td> <td>± 0.3</td> <td>± 0.5</td> <td>± 0.8</td> <td>± 1.2</td> <td>± 2</td> </tr> </table> |       | DIMENSIONS | < 6   | > 6   | > 30   | > 120  | > 315 | > 1000 | > 2000 | GENERAL TOLERANCES | ± 0.1 | ± 0.2 | ± 0.3 | ± 0.5 | ± 0.8 | ± 1.2 | ± 2 |
| DIMENSIONS         | < 6   | > 6   | > 30       | > 120 | > 315 | > 1000 | > 2000 |       |        |        |                    |       |       |       |       |       |       |     |
| GENERAL TOLERANCES | ± 0.1   | ± 0.2 | ± 0.3      | ± 0.5 | ± 0.8 | ± 1.2  | ± 2    |       |        |        |                    |       |       |       |       |       |       |     |

|   |                         |                |
|---|-------------------------|----------------|
| SCALE: 1:1<br>DO NOT SCALE DRAWING  | ESTIMATED MASS: 0.39 kg | DWG TYPE: PART |
|   |                         |                |
| THE DRAWINGS, SPECIFICATIONS AND OTHER DATA HEREIN PROVIDED SHALL NOT BE COPIED, PUBLISHED OR OTHERWISE FURTHER DISSEMINATED WITHOUT PRIOR WRITTEN PERMISSION OF STANFORD UNIVERSITY/SLAC |                         |                |
| ENGR S. NEWBRY  | DATE 20220211           | APPROVALS      |
| DWN S. NEWBRY   |                         | ---            |
| CHKR ---  |                         | ---            |

|  |                      |
|--|----------------------|
| ATLAS ITk<br>RD53a, 19-1 OB STAVE<br>HANDLING PLATE, LOADING |                      |
| DRAWING NUMBER<br>REF-000202292                              | REVISION NUMBER<br>A |