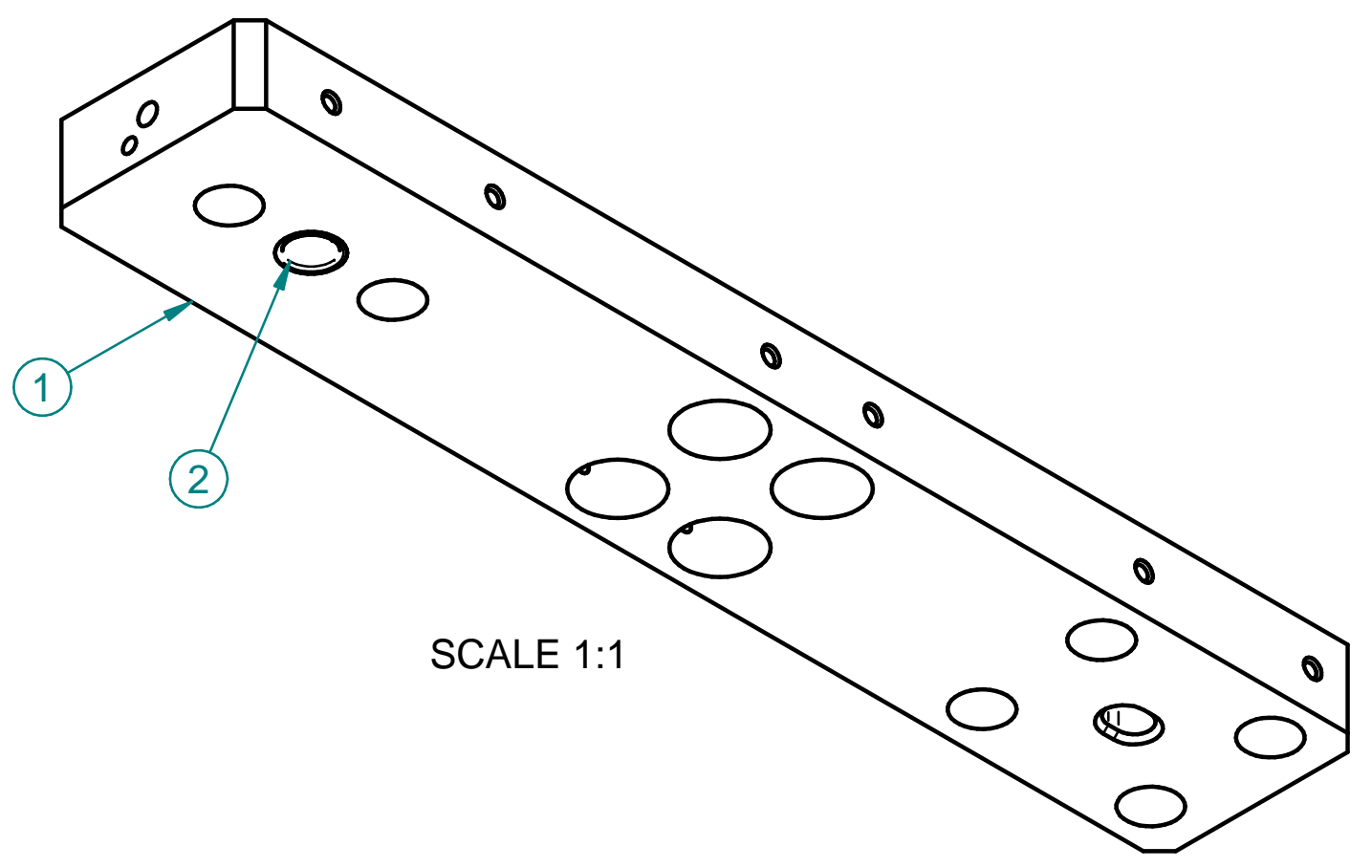
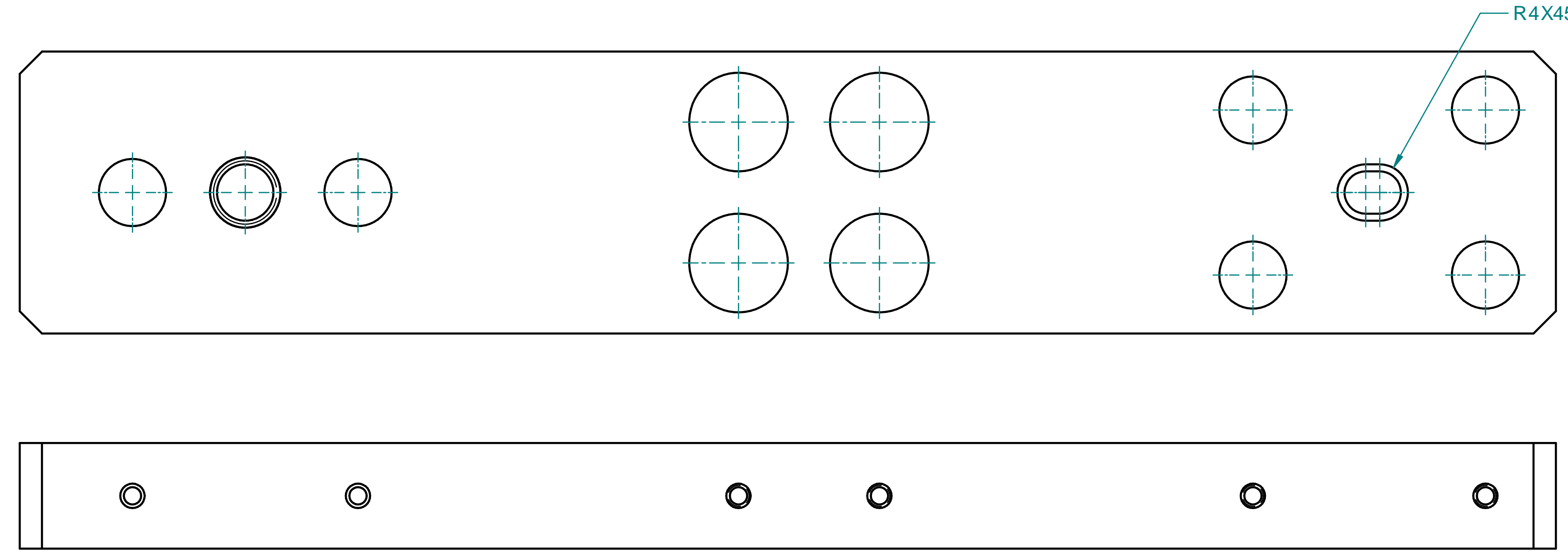
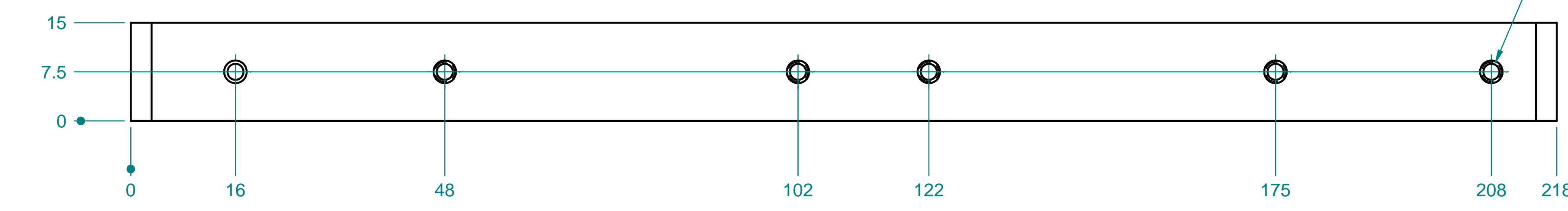
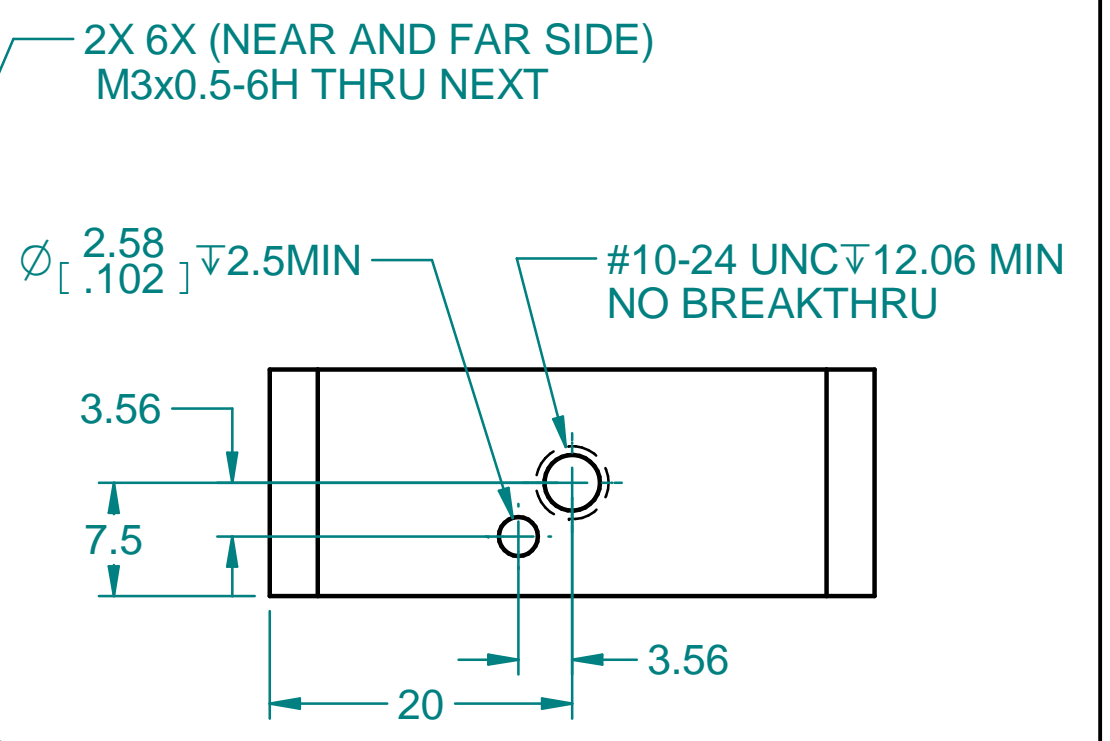
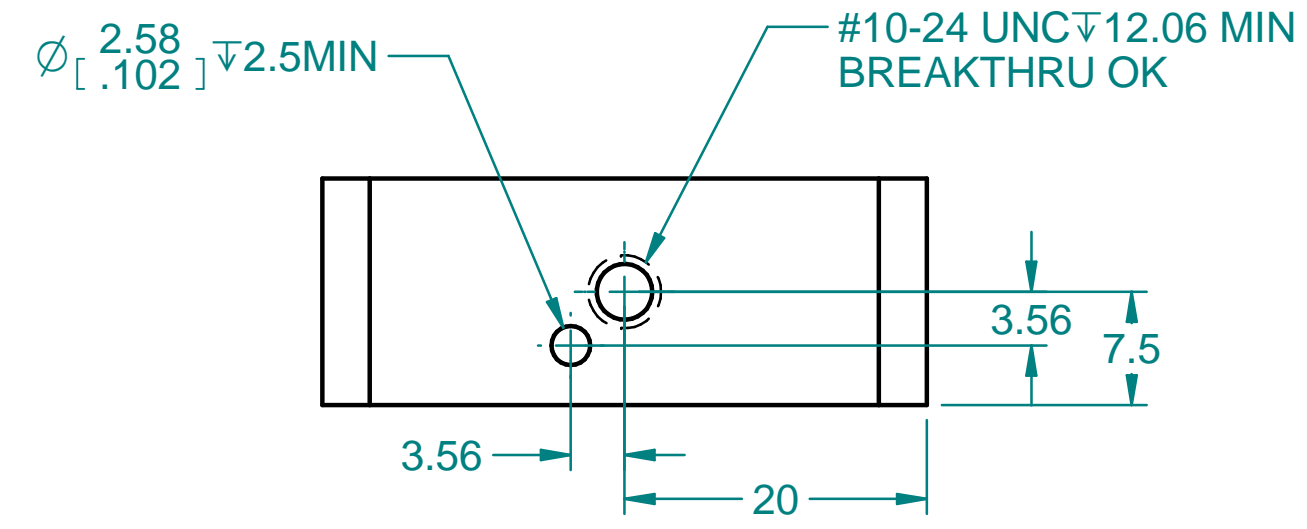
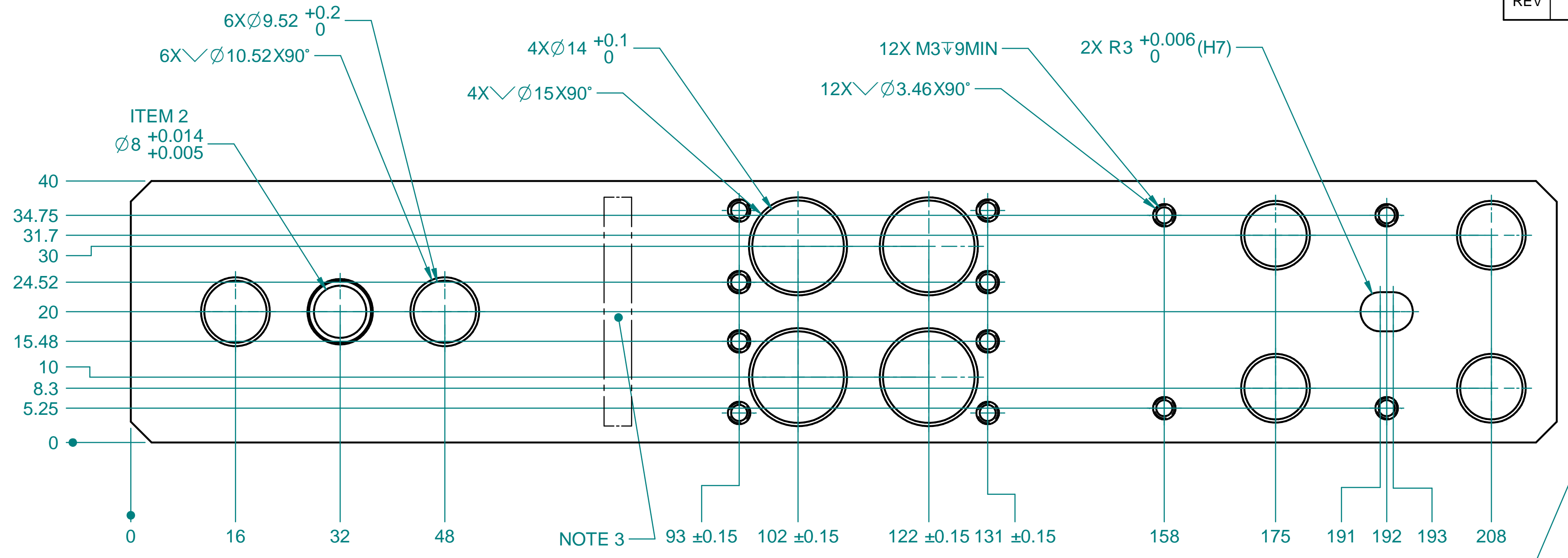


NOTES UNLESS OTHERWISE SPECIFIED:

1. MATERIAL: SEE TABLE.
2. APPLY CHEMICAL CONVERSION COATING (ALODINE) MIL-DTL-5541 TYPE I, CLASS 1A, COLOR GOLD.
3. EMBOSS OR ENGRAVE PART AND REVISION NUMBER APPROX. WHERE SHOWN.
4. INSTALL ITEM 2 (BUSHING) AS SHOWN. ALL DIMENSIONS APPLY AFTER PLATING AND BUSHING INSTALLED.

CHECK-PRINT
newbry
03-03-2022 03:44:29 PM



ITEM	TITLE OR DESCRIPTION	QTY
2	MISUMI JBAUN6-15 (BUSHING, 6ID X 15LG, NI PLATED)	1
1	MATERIAL: ALUMINUM MIC-6	1

---	DIMENSIONING AND TOLERANCING IS IN ACCORDANCE WITH ASME Y14.5-2009	SCALE: 2:1 DO NOT SCALE DRAWING	ESTIMATED MASS: 0.327 kg	DWG TYPE: PART
---	UNLESS OTHERWISE SPECIFIED DIMENSIONS ARE IN MILLIMETERS	SLAC NATIONAL ACCELERATOR LABORATORY	U.S. DEPARTMENT OF ENERGY	
---	TOLERANCES: BREAK EDGES 0.13 - 0.4 INTERNAL CORNERS R 0.4 MAX	THE DRAWINGS, SPECIFICATIONS AND OTHER DATA HEREIN PROVIDED SHALL NOT BE COPIED, PUBLISHED OR OTHERWISE FURTHER DISSEMINATED WITHOUT PRIOR WRITTEN PERMISSION OF STANFORD UNIVERSITY/SLAC		
---	ANGLE ± 0.5 ALL SURF 1.6	APPROVALS		
---	DSG-000014490	ENGR NEWBRY DWN NEWBRY CHKR ---	DATE 20200610	---
---	NEXT ASSEMBLIES:	ATLAS INNER PIXEL MECH LOADING TOOLING LOADING BRIDGE, OB 19-1		
	DIMENSIONS <6 >6 >30 >120 >315 >1000 >2000	DRAWING NUMBER REF-000202289		
	GENERAL TOLERANCES ±0.1 ±0.2 ±0.3 ±0.5 ±0.8 ±1.2 ±2	REVISION NUMBER A D		