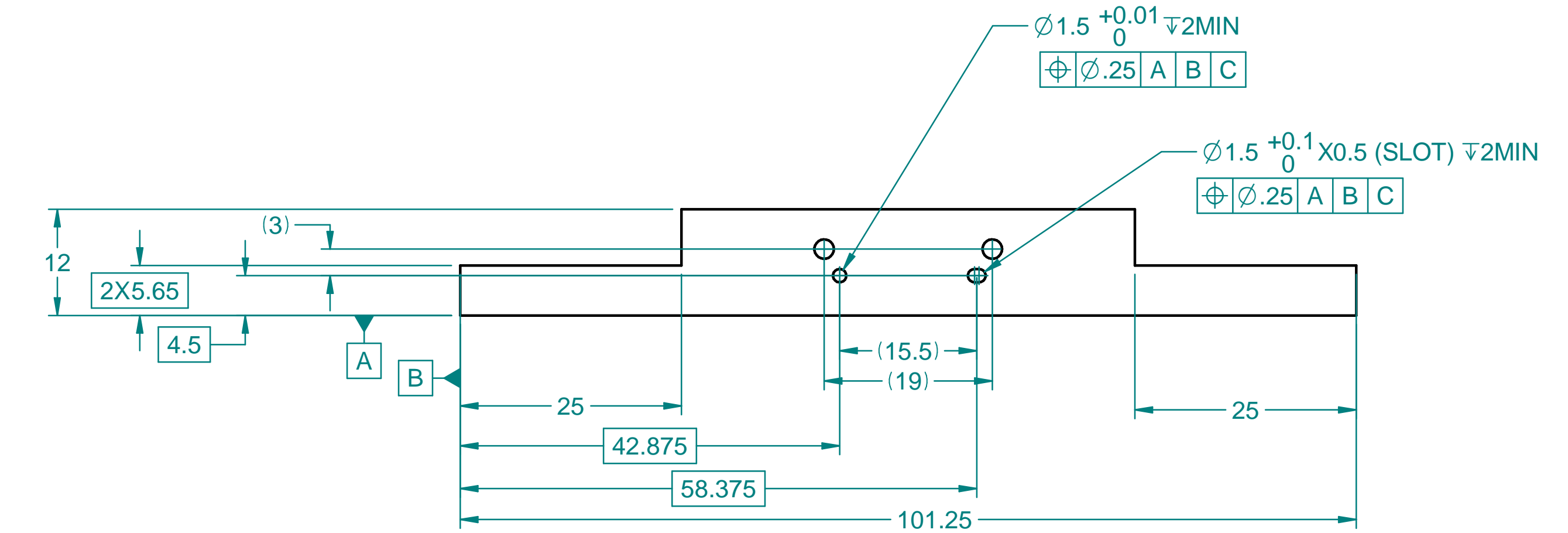
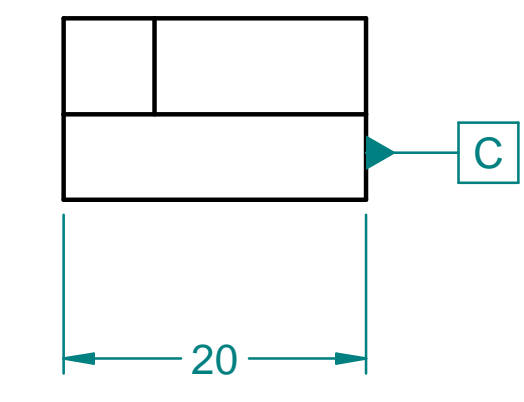
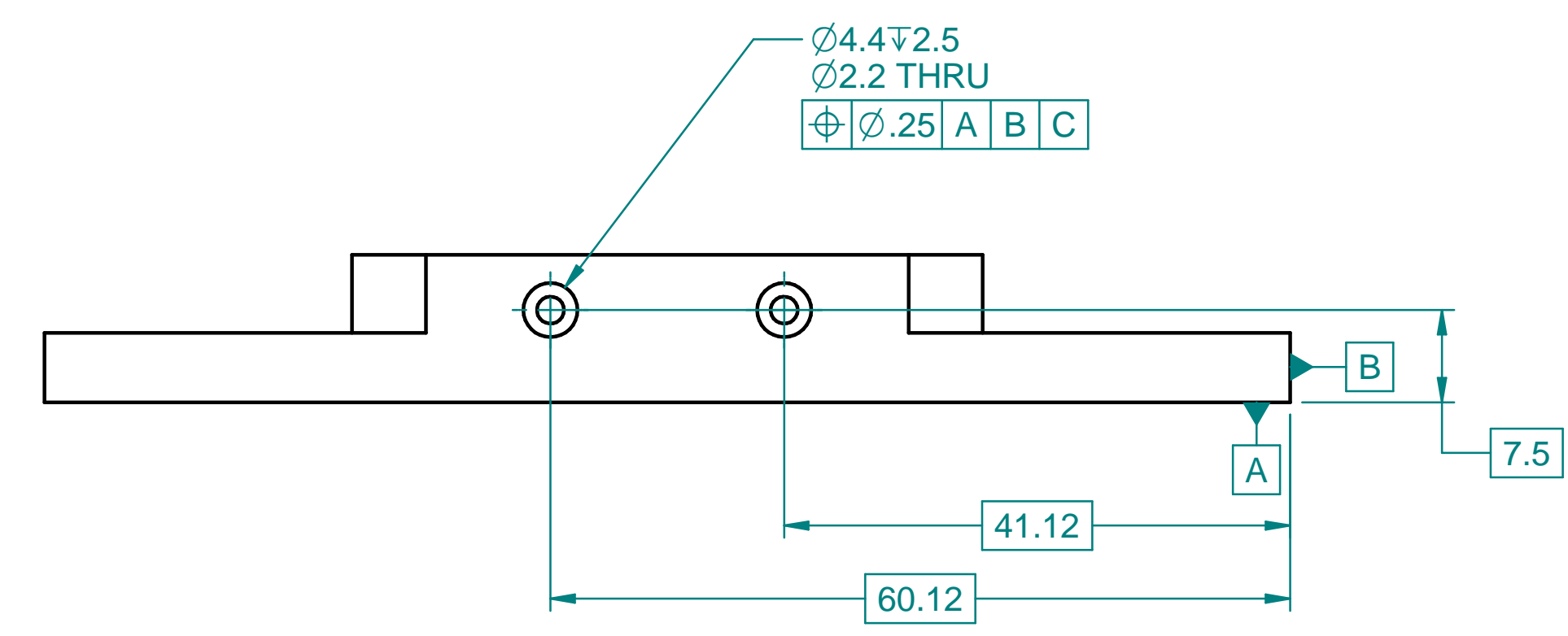
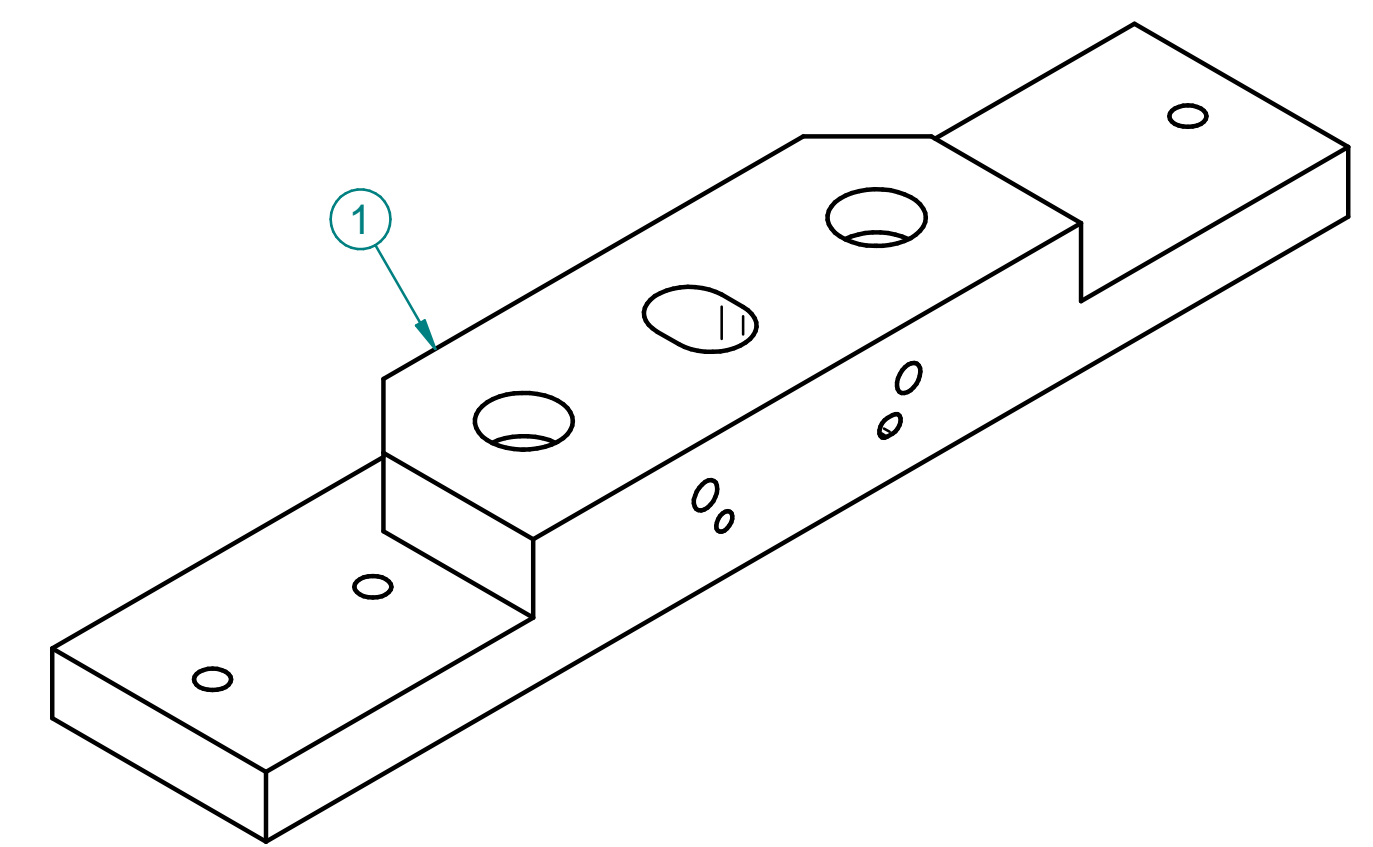
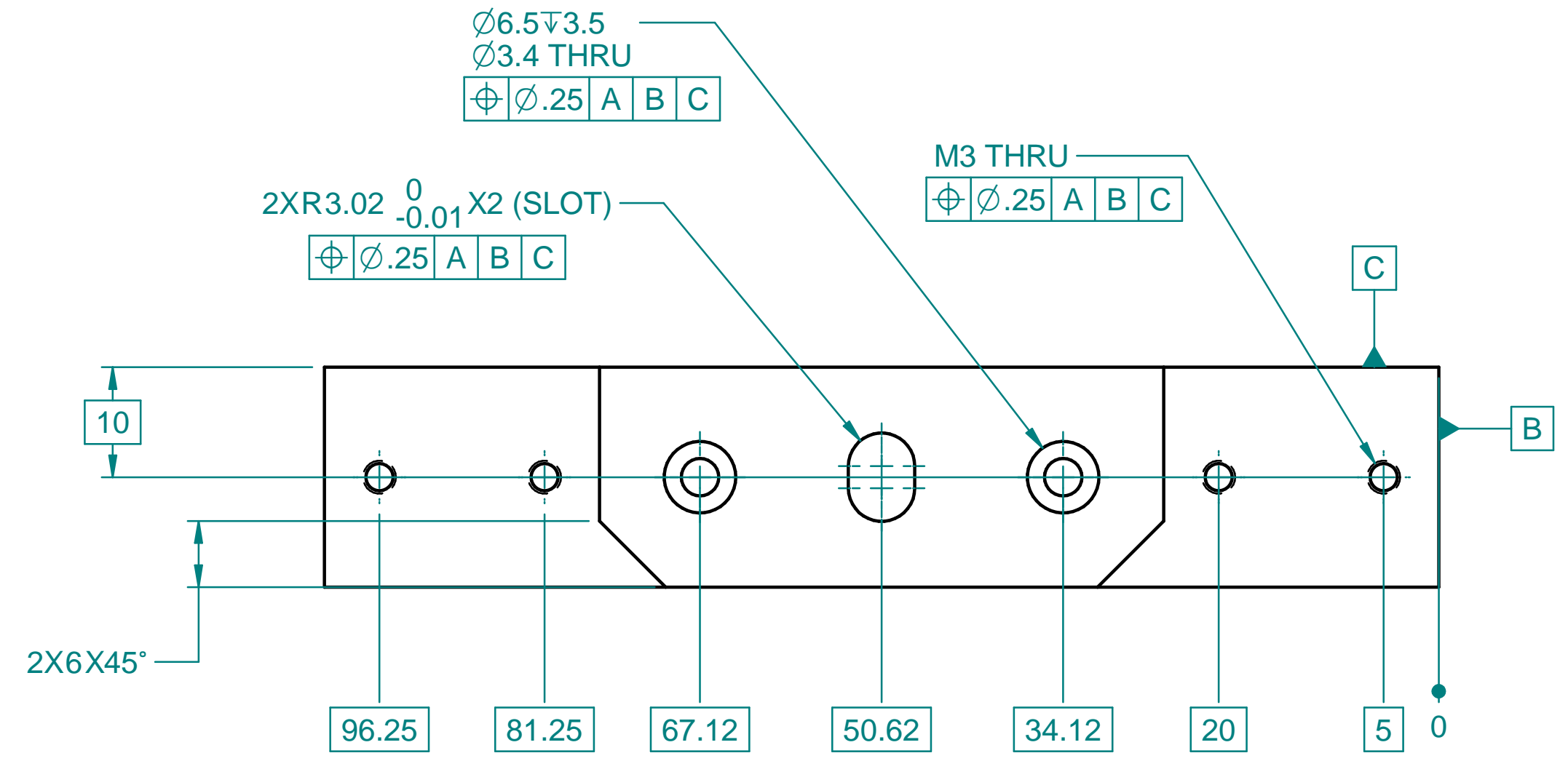


NOTES UNLESS OTHERWISE SPECIFIED:
 1. FINAL PROTECTIVE FINISH PER MIL-DTL-5541 TYPE II CLASS 3 (CLEAR ALODINE)

CHECK-PRINT
 newbry
 03-09-2022 10:36:20 AM



1	ALUMINUM ALLOY 6061-T6
ITEM	MATERIAL

---	DIMENSIONING AND TOLERANCING IS IN ACCORDANCE WITH ASME Y14.5-2009	SCALE: 2:1 DO NOT SCALE DRAWING	ESTIMATED MASS: 0.045 kg	DWG TYPE: PART
---	UNLESS OTHERWISE SPECIFIED DIMENSIONS ARE IN MILLIMETERS	SLAC NATIONAL ACCELERATOR LABORATORY	U.S. DEPARTMENT OF ENERGY	ATLAS ITk RD53a, 19-1 OB STAVE MOUNTING, STAVE TO HF
---	TOLERANCES: BREAK EDGES 0.13 - 0.4 INTERNAL CORNERS R 0.4 MAX	THE DRAWINGS, SPECIFICATIONS AND OTHER DATA HEREIN PROVIDED SHALL NOT BE COPIED, PUBLISHED OR OTHERWISE FURTHER DISSEMINATED WITHOUT PRIOR WRITTEN PERMISSION OF STANFORD UNIVERSITY/SLAC		
---	ANGLE ± 1° ALL SURF 125	ENGR S. NEWBRY DWN S. NEWBRY CHKR ---	DATE 20220211	APPROVALS ---
REF-000203023	DIMENSIONS <6 ±0.1 >6 ±0.2 >30 ±0.3 >120 ±0.5 >315 ±0.8 >1000 ±1.2 >2000 ±2	DRAWING NUMBER REF-000130209		
NEXT ASSEMBLIES:	GENERAL TOLERANCES	REVISION NUMBER A D		