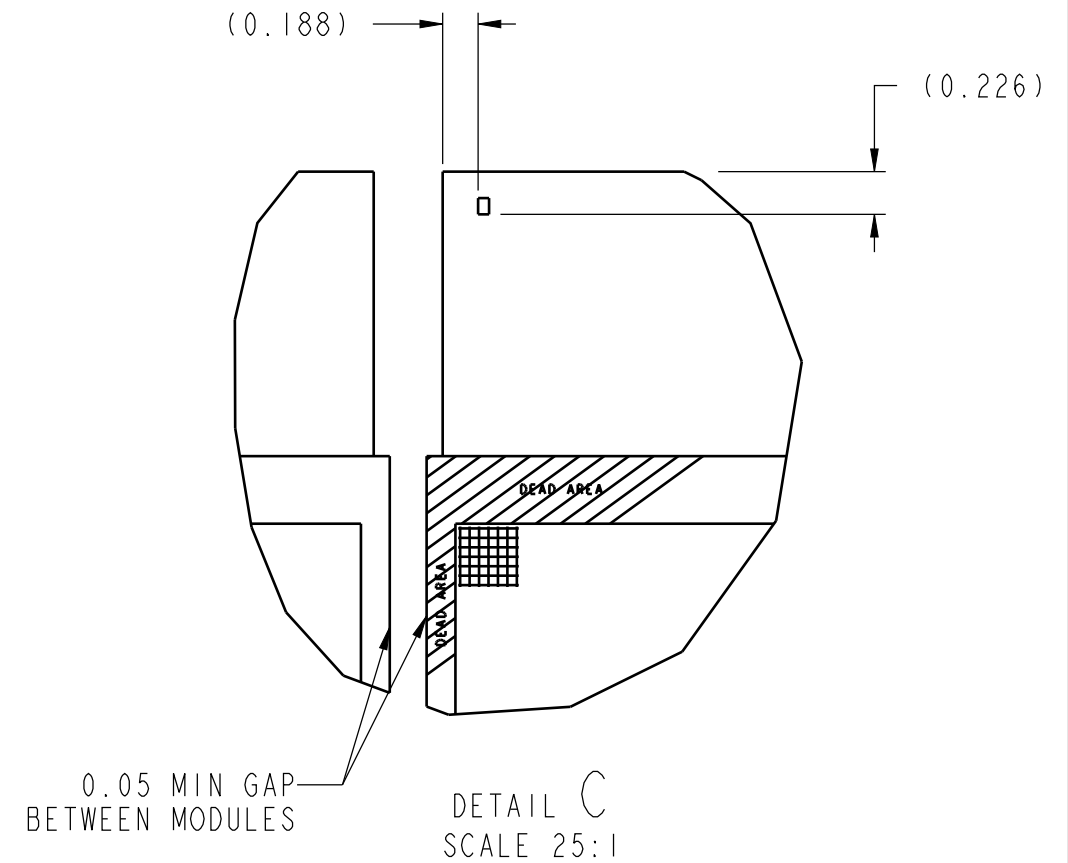
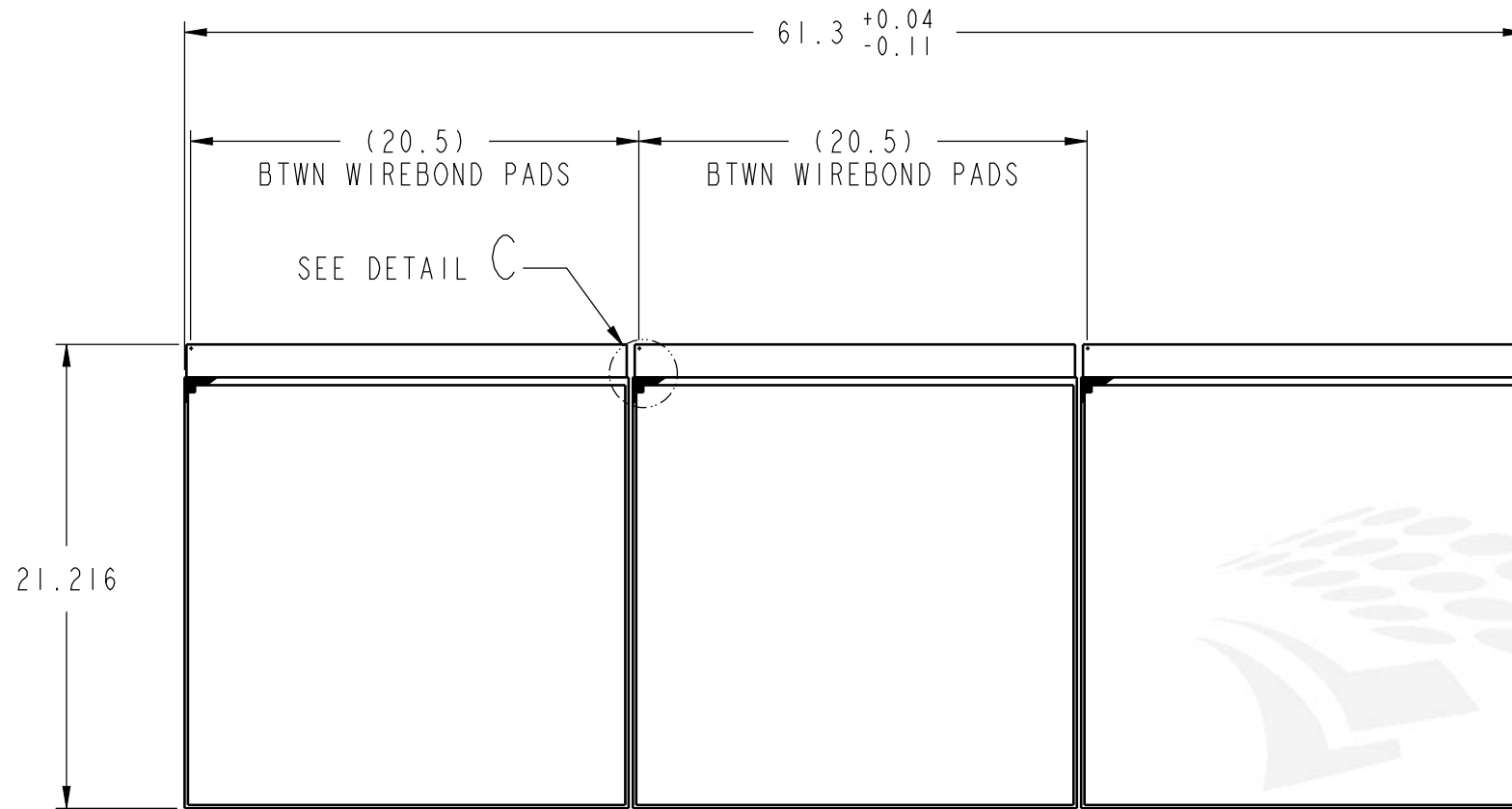


NOTES:
1. ALL DIMENSIONS ARE IN MM



ALIGN EDGES TO ± 0.025

CHANGE DESCRIPTION (SEE LBNL PDM FOR REV HISTORY)

INITIAL RELEASE

STATE Released

AUTHOR Claybaugh, Todd

CHECKED BY elisabetta.pianori AT Oct 31 2020 10:36:00 AM PDT

RELEASED BY elisabetta.pianori AT Oct 31 2020 10:36:00 AM PDT

THIS DRAWING IS THE PROPERTY OF ERNEST ORLANDO LAWRENCE BERKELEY NATIONAL LABORATORY (LBNL) AND ANYTHING PRODUCED FROM THESE DRAWINGS IS SUBJECT TO LBNL'S INTELLECTUAL PROPERTY RIGHTS. THIS DRAWING IS LOANED ON A CONFIDENTIAL BASIS SUBJECT TO RETURN ON DEMAND AND NOTHING HEREIN MAY BE REPRODUCED, USED OR DISCLOSED IN WHOLE OR PART WITHOUT PRIOR WRITTEN PERMISSION OF LBNL. - DO NOT MANUFACTURE ANYTHING ON THIS DRAWING UNLESS STATE FIELD IS RELEASED AND RELEASED BY AND RELEASED AT FIELDS ARE POPULATED WITH VALUES.

UNLESS OTHERWISE SPECIFIED

ESTIMATED WEIGHT
0.005 KG (0.01 LBM)

TOLERANCE
X. ± 1.0 .X ± 0.1 .XX ± 0.05
FRACTIONS: \pm - / - -
ANGLES: $\pm 1.0^\circ$
MACH. SURFS.: 3.2um \checkmark or better

REFERENCE
- THREADS ARE CLASS G or H
- BREAK EDGES 0.5 MAX, ON MACHINED WORK
- REMOVE BURRS, WELD SPLATTER & LOOSE SCALE

PROJECT NAME

ATLAS HL-LHC

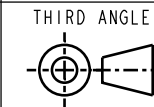
DRW REF DOC
ASME
Y14.5-2009

SCALE
3:1

PRINT NOT TO SCALE

SHEET SIZE
B

DRAWING UNITS
mm-kg-s



SHEET
1 OF 3

ERNEST ORLANDO LAWRENCE
BERKELEY NATIONAL LABORATORY
UNIVERSITY OF CALIFORNIA



ATLAS HL-LHC PIXEL I
MODULES
ITK PIXEL LINEAR RD53A TRIPLET ASM

CATEGORY CODE
AU1005

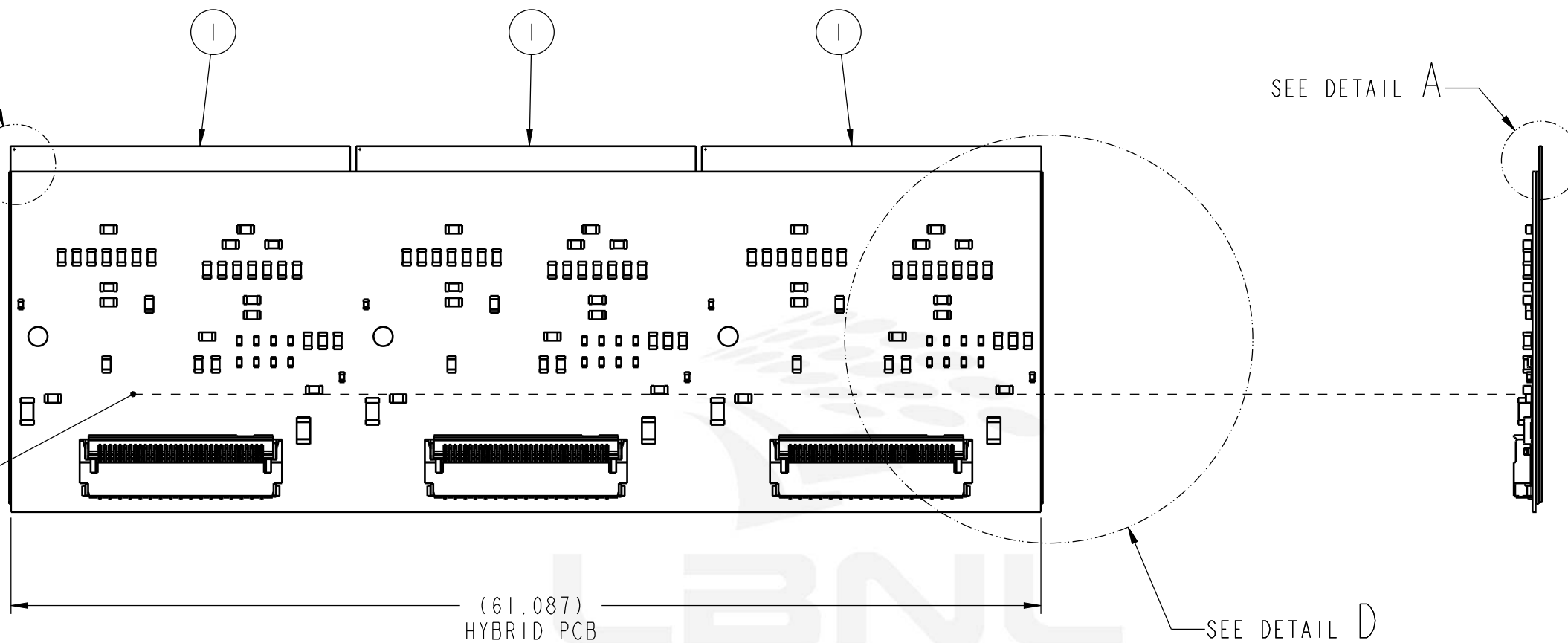
ITEM NUMBER
AU-1012-2244

REV
A

NOTES:
1. ALL DIMENSIONS ARE IN MM

SEE DETAIL B

SEE DETAIL A



(61.087)
HYBRID PCB

SEE DETAIL D

Document Control Center

ITEM	QTY	ITEM NO.	DESCRIPTION	MATERIAL
3	1	AU-1012-2212	ITK PIXEL LINEAR HYBRID PCB RD53A ASM	NA
2	3	AU-1012-2130	ADHESIVE, ARALDITE 2011 STRUCTURAL	ARALDITE_2011
1	3	AU-1012-2177	ITK PIXEL BARE SINGLE MODULE RD53A	NA

CHANGE DESCRIPTION (SEE LBNL PDM FOR REV HISTORY)			
INITIAL RELEASE			
STATE	Released		
AUTHOR	Claybaugh, Todd		
CHECKED BY	elisabetta.pianori	AT	Oct 31 2020 10:36:00 AM PDT
RELEASED BY	elisabetta.pianori	AT	Oct 31 2020 10:36:00 AM PDT
THIS DRAWING IS THE PROPERTY OF ERNEST ORLANDO LAWRENCE BERKELEY NATIONAL LABORATORY (LBNL) AND ANYTHING PRODUCED FROM THESE DRAWINGS IS SUBJECT TO LBNL'S INTELLECTUAL PROPERTY RIGHTS. THIS DRAWING IS LOANED ON A CONFIDENTIAL BASIS SUBJECT TO RETURN ON DEMAND AND NOTHING HEREIN MAY BE REPRODUCED, USED OR DISCLOSED IN WHOLE OR PART WITHOUT PRIOR WRITTEN PERMISSION OF LBNL. - DO NOT MANUFACTURE ANYTHING ON THIS DRAWING UNLESS STATE FIELD IS RELEASED AND RELEASED BY AND RELEASED AT FIELDS ARE POPULATED WITH VALUES.			

UNLESS OTHERWISE SPECIFIED	
ESTIMATED WEIGHT 0.005 KG (0.01 LBM)	
TOLERANCE X.±1.0 .X±0.1 .XX±0.05 FRACTIONS: ± -/-- ANGLES: ±1.0° MACH. SURFS.: 3.2um ✓ or better	
REFERENCE - THREADS ARE CLASS G or H - BREAK EDGES 0.5 MAX, ON MACHINED WORK - REMOVE BURRS, WELD SPLATTER & LOOSE SCALE	

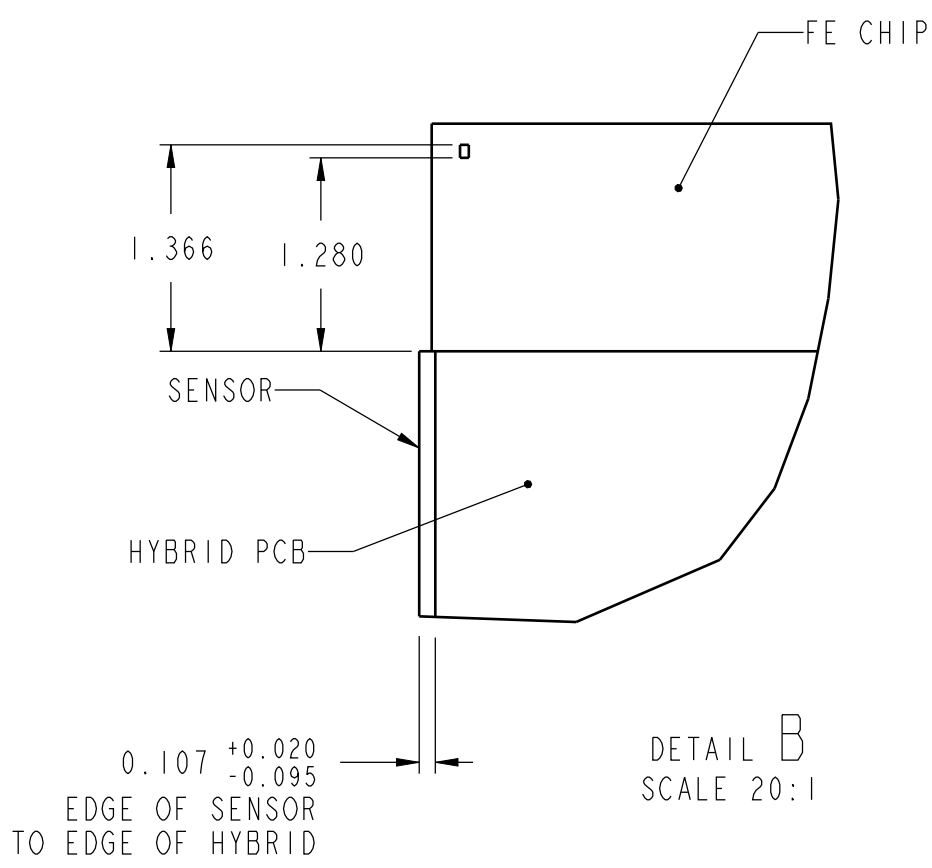
PROJECT NAME ATLAS HL-LHC	
DRW REF DOC ASME Y14.5-2009	DRAWING UNITS mm-kg-s
SCALE 3:1 PRINT NOT TO SCALE	THIRD ANGLE
SHEET SIZE B	SHEET 2 OF 3

ERNEST ORLANDO LAWRENCE BERKELEY NATIONAL LABORATORY UNIVERSITY OF CALIFORNIA 	
ATLAS HL-LHC PIXEL I MODULES ITK PIXEL LINEAR RD53A TRIPLET ASM	
CATEGORY CODE AU1005	ITEM NUMBER AU-1012-2244
REV A	

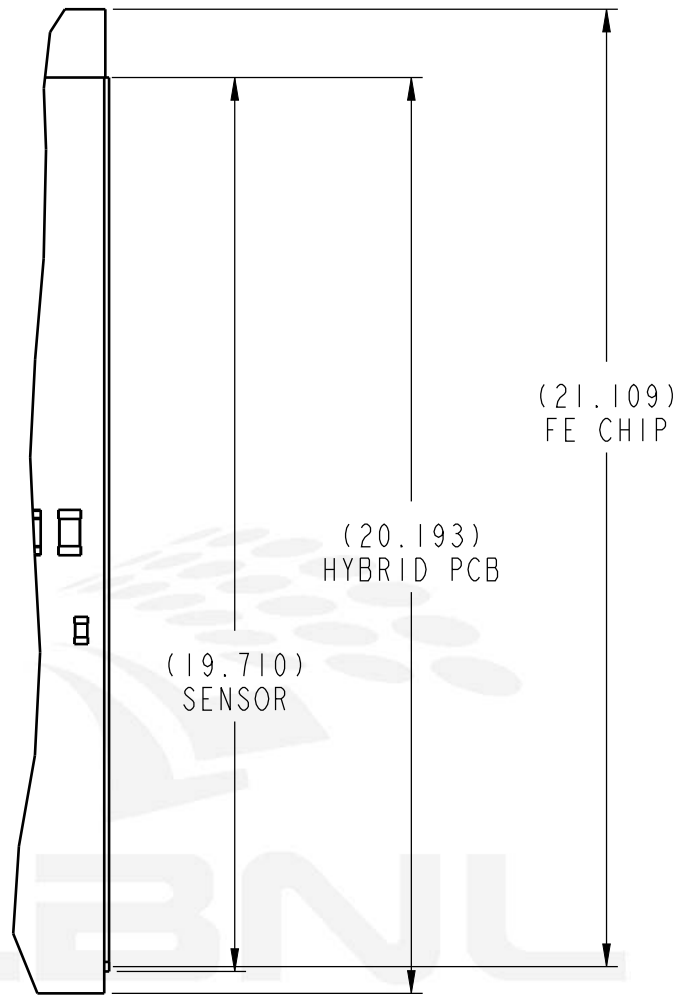
Officially Released to the LBNL Document Control Center
Released: October 31st, 2020 DCC Auth Key: YOZIQR44
CHERO Parameffice

2

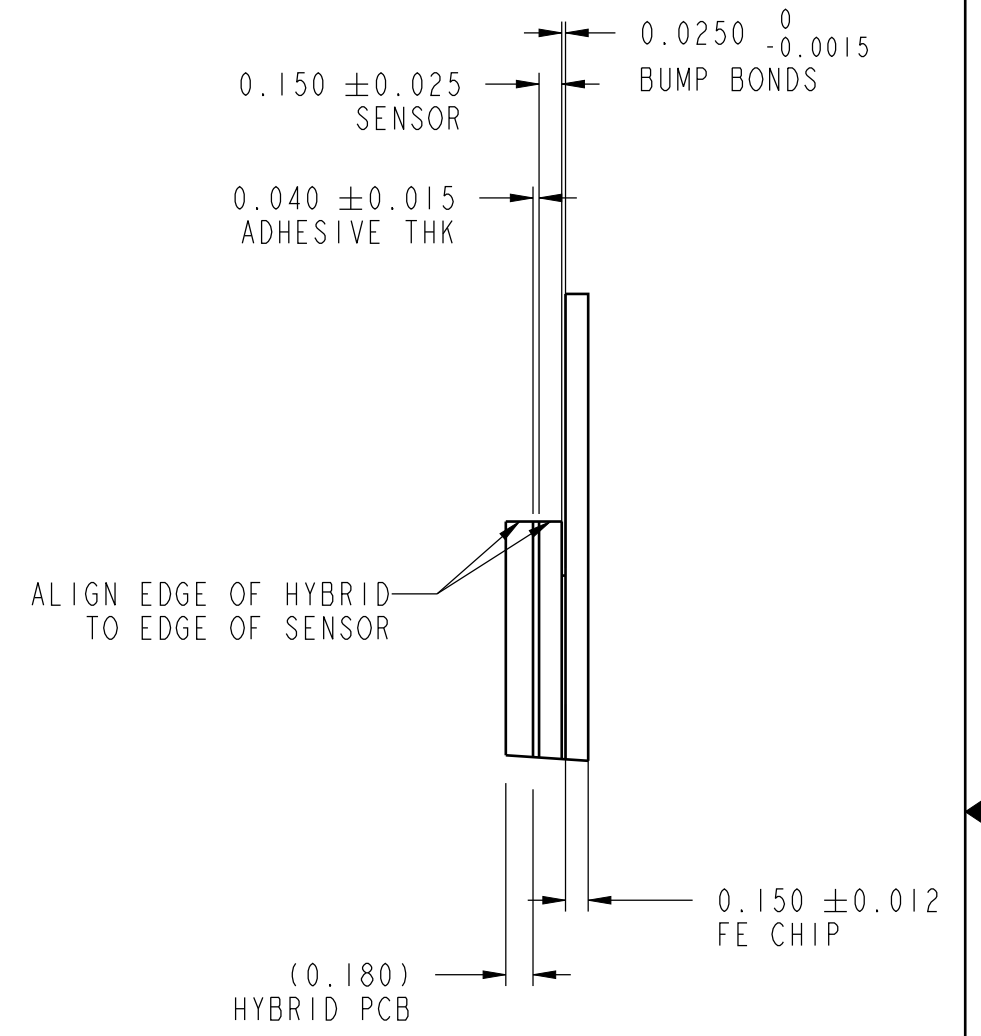
1



DETAIL B
SCALE 20:1



DETAIL D
SCALE 6:1



DETAIL A
SCALE 20:1

Document Control Center

CHANGE DESCRIPTION (SEE LBNL PDM FOR REV HISTORY)			
INITIAL RELEASE			
STATE	Released		
AUTHOR	Claybaugh, Todd		
CHECKED BY	elisabetta.pianori	AT	Oct 31 2020 10:36:00 AM PDT
RELEASED BY	elisabetta.pianori	AT	Oct 31 2020 10:36:00 AM PDT
THIS DRAWING IS THE PROPERTY OF ERNEST ORLANDO LAWRENCE BERKELEY NATIONAL LABORATORY (LBNL) AND ANYTHING PRODUCED FROM THESE DRAWINGS IS SUBJECT TO LBNL'S INTELLECTUAL PROPERTY RIGHTS. THIS DRAWING IS LOANED ON A CONFIDENTIAL BASIS SUBJECT TO RETURN ON DEMAND AND NOTHING HEREIN MAY BE REPRODUCED, USED OR DISCLOSED IN WHOLE OR PART WITHOUT PRIOR WRITTEN PERMISSION OF LBNL. - DO NOT MANUFACTURE ANYTHING ON THIS DRAWING UNLESS STATE FIELD IS RELEASED AND RELEASED BY AND RELEASED AT FIELDS ARE POPULATED WITH VALUES.			

UNLESS OTHERWISE SPECIFIED	
ESTIMATED WEIGHT 0.005 KG (0.01 LBM)	
TOLERANCE X.±1.0 .X±0.1 .XX±0.05 FRACTIONS: ± -/-- ANGLES: ±1.0° MACH. SURFS.: 3.2um ✓ or better	
REFERENCE - THREADS ARE CLASS G or H - BREAK EDGES 0.5 MAX, ON MACHINED WORK - REMOVE BURRS, WELD SPLATTER & LOOSE SCALE	

PROJECT NAME ATLAS HL-LHC	
DRW REF DOC ASME Y14.5-2009	DRAWING UNITS mm-kg-s
SCALE 2:1 PRINT NOT TO SCALE	THIRD ANGLE
SHEET SIZE B	SHEET 3 OF 3

ERNEST ORLANDO LAWRENCE BERKELEY NATIONAL LABORATORY UNIVERSITY OF CALIFORNIA 	
ATLAS HL-LHC PIXEL I MODULES ITK PIXEL LINEAR RD53A TRIPLET ASM	
CATEGORY CODE AU1005	ITEM NUMBER AU-1012-2244
REV A	

2

1

Officially Released to the LBNL Document Control Center
Released: October 31st, 2020 DCC Auth Key: YOZIQRE4
CHEO Parame ffic