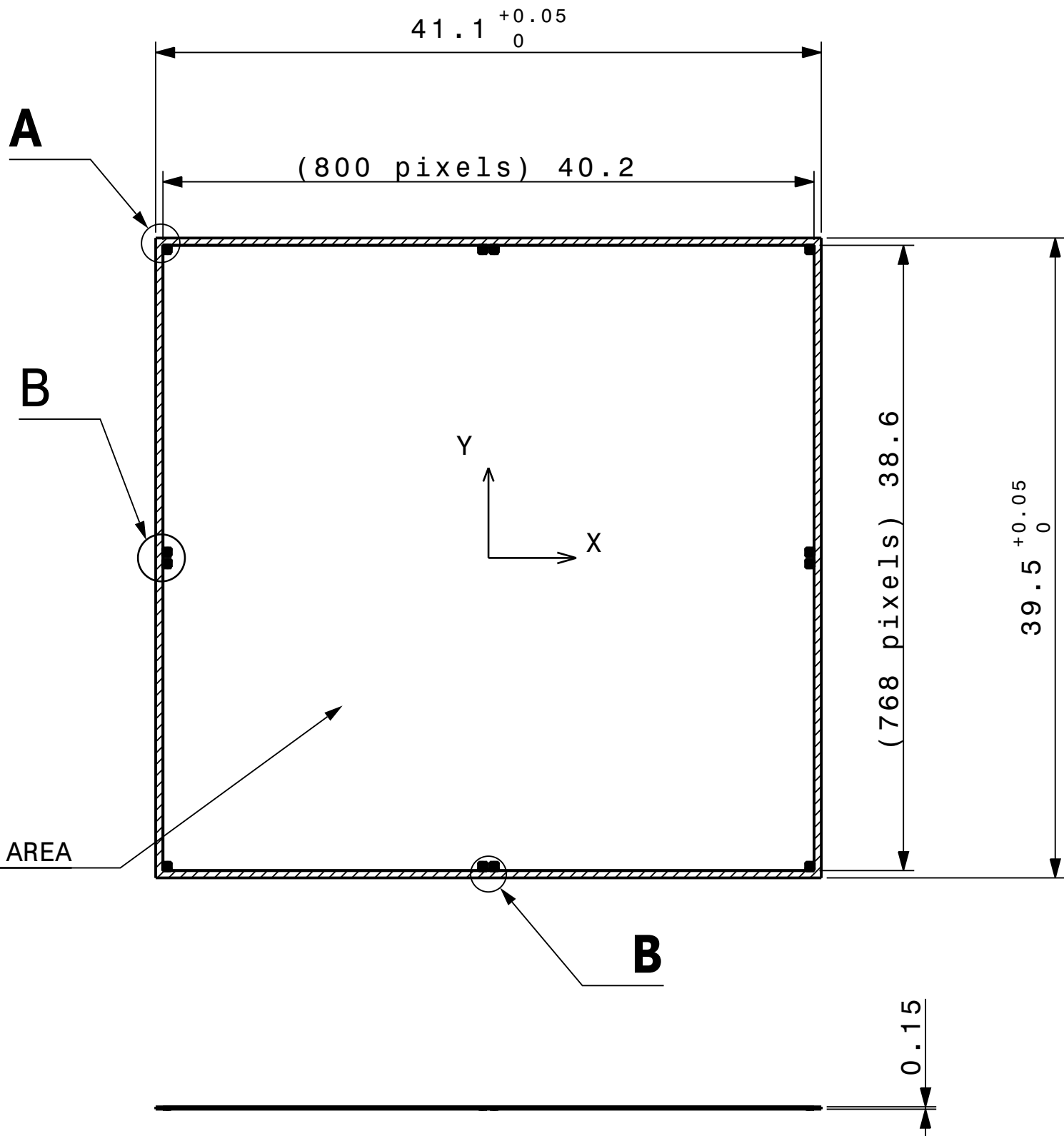
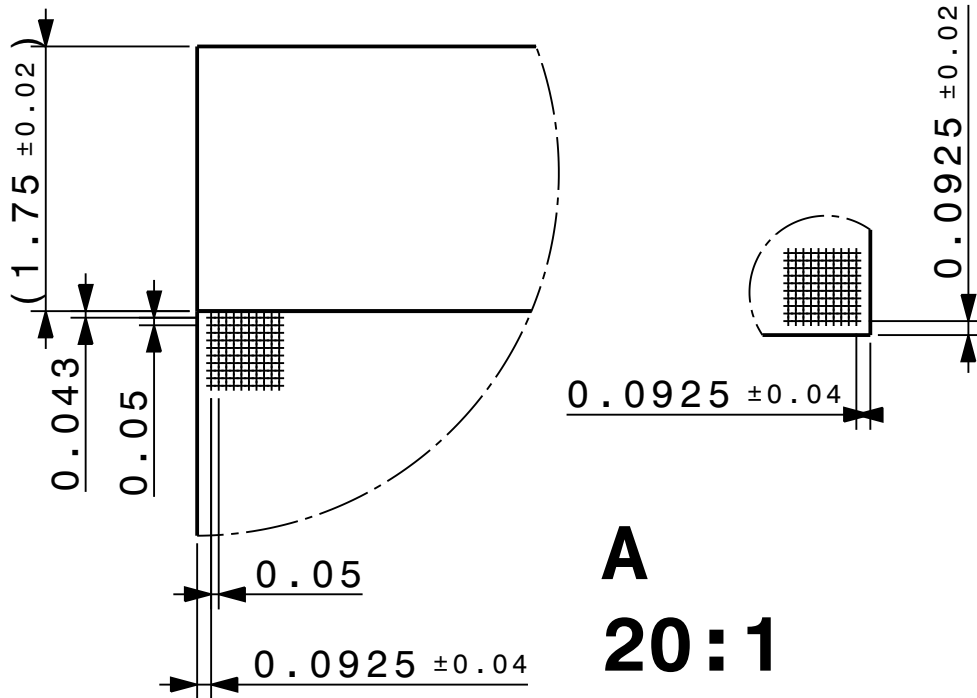


B
50:1

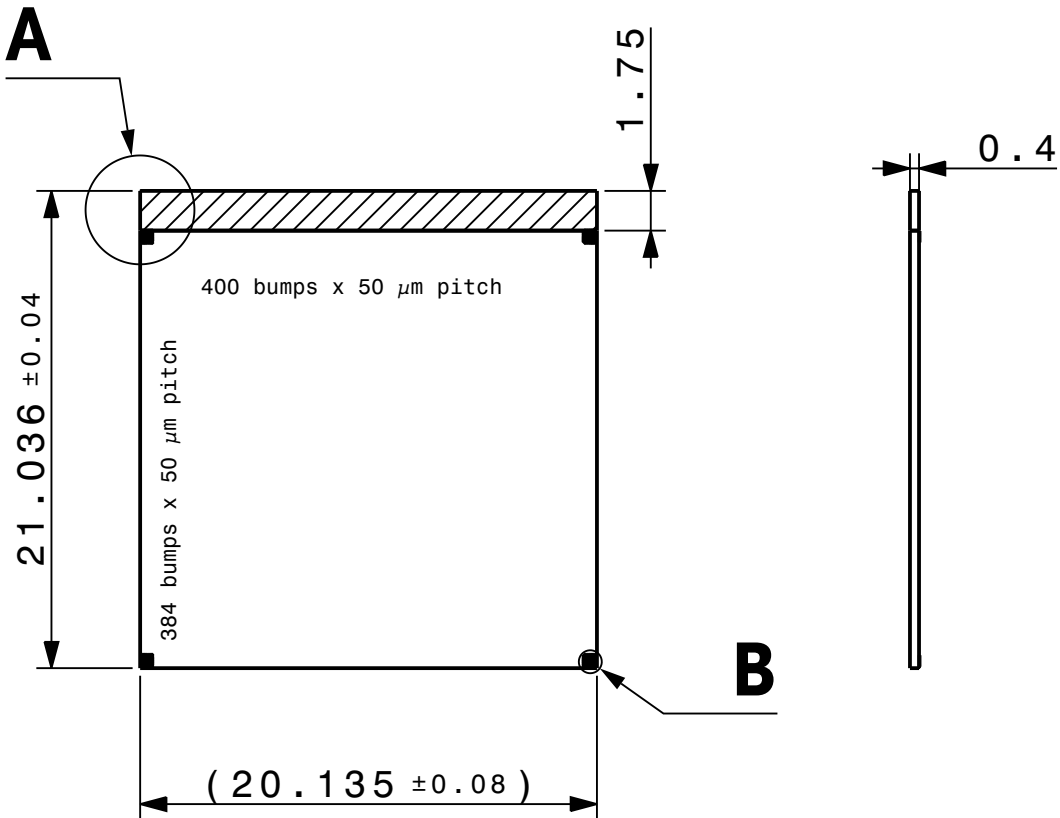


DESIGNATION ITk Pixel Quad Sensor 150um	DESIGNED	M.JANDA	FORMAT	A3
	CHECKED		SCALE	3:1
	RELEASED			
	APPROVED			
EQUIPMENT CODE	DESIGNED 2019-03-13			
REFERENCES	Doc No: ST1040097_02	INDEX	LABEL	QAC
AT2-IP-ED-0002			NOT VALID FOR EXECUTION	SHEET 1/1



B
20:1

A
20:1

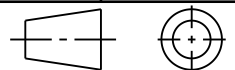


DESIGNATION
ITk Pixel FE Chip RD53A 400um

DESIGNED	M. JANDA	FORMAT	A4
CHECKED		SCALE	3:1
RELEASED			
APPROVED			

EQUIPMENT CODE

DESIGNED
2019-03-13



REFERENCES

Doc No: ST1040101_02

INDEX

LABEL

QAC

SHEET

AT2 - IP - ED - 0002

NOT VALID FOR EXECUTION

1/1