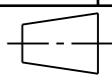

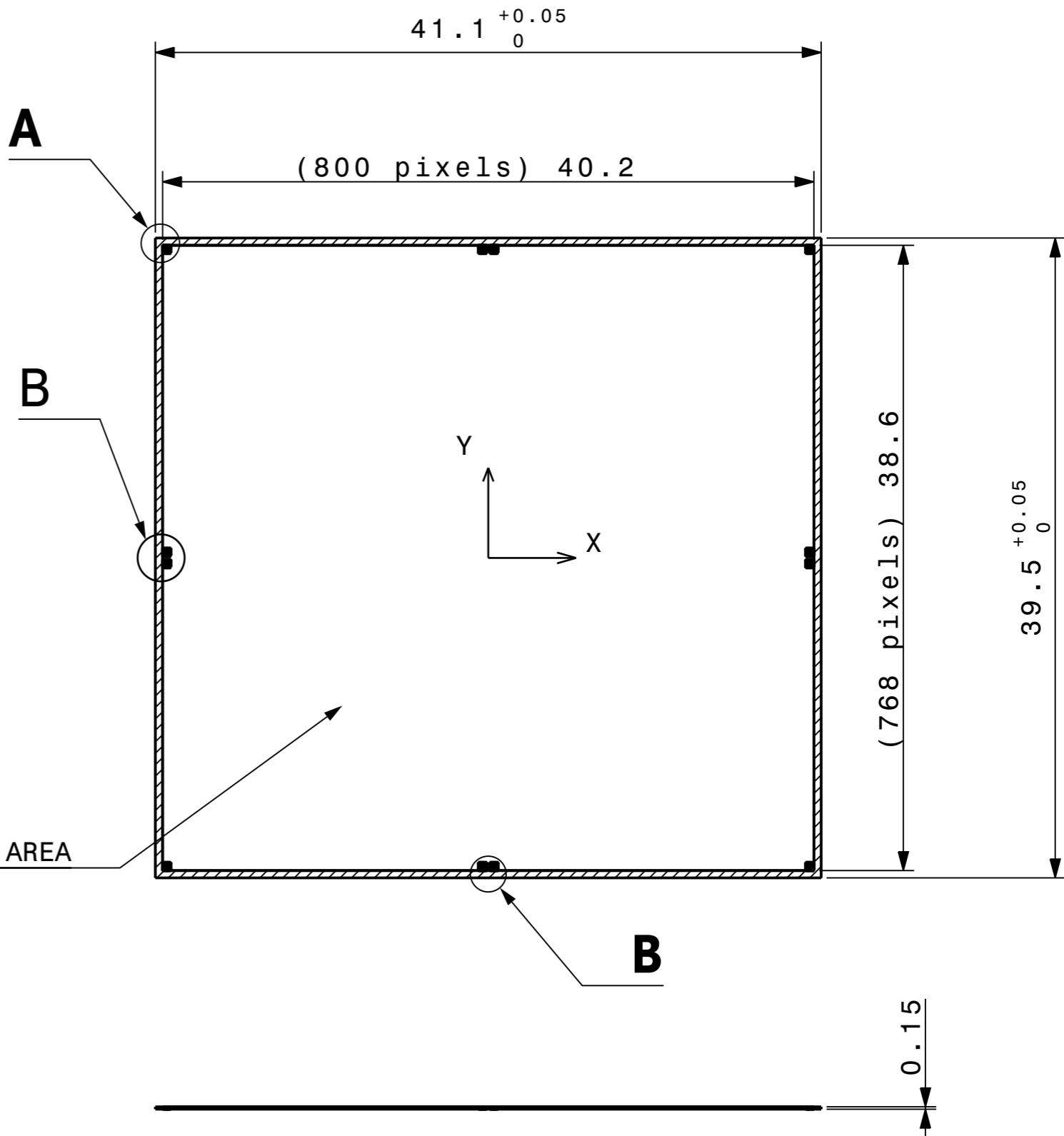
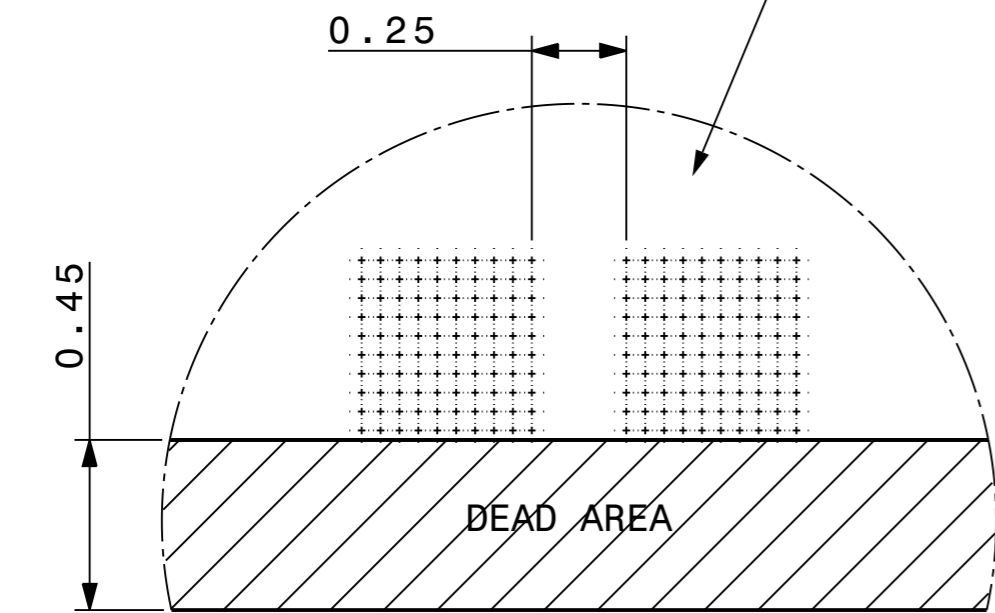
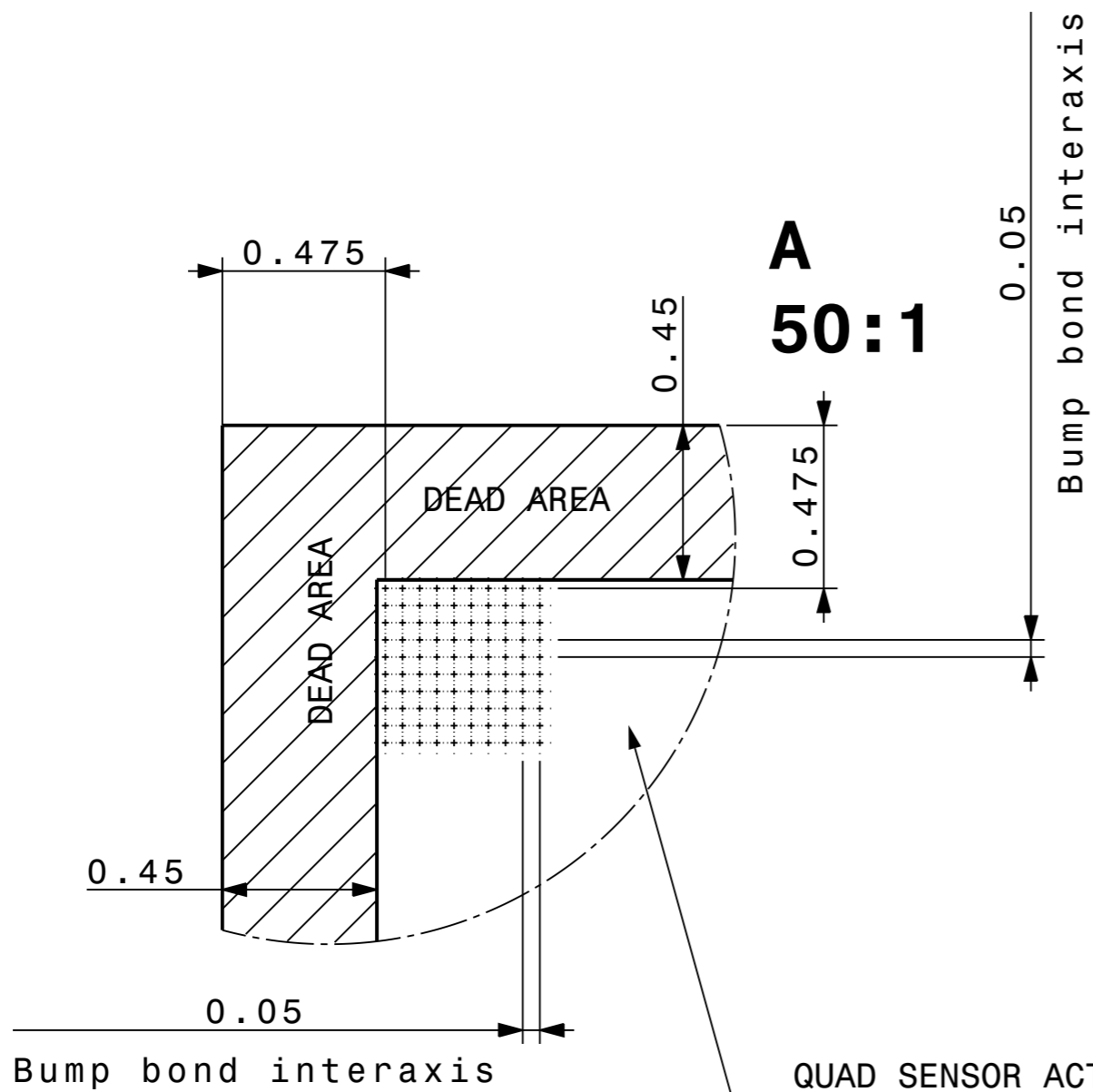


A
30:1

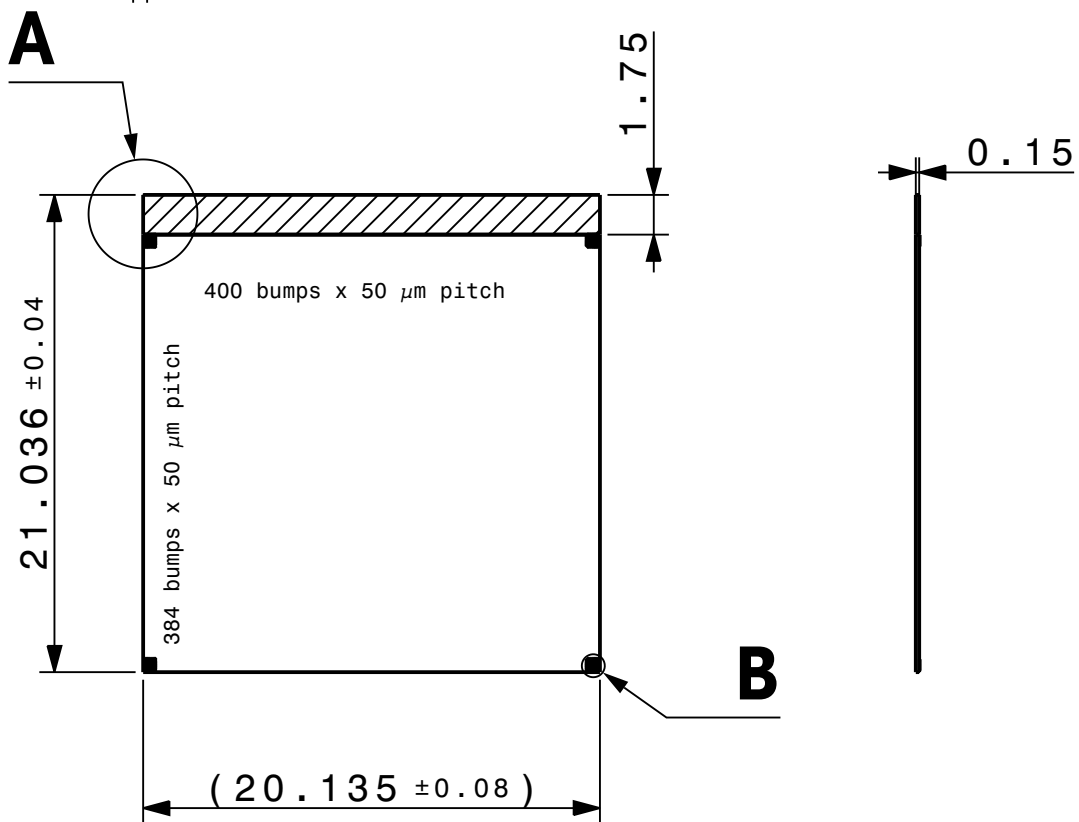
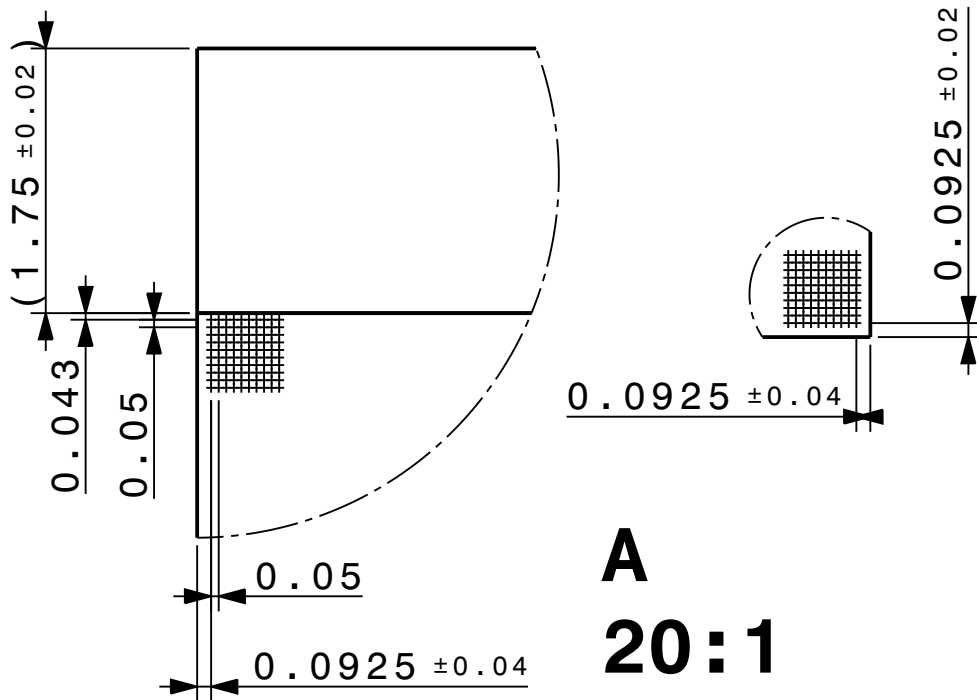
ORGANISATION EUROPEENNE POUR
 LA RECHERCHE NUCLEAIRE
 EUROPEAN ORGANIZATION FOR NUCLEAR RESEARCH
 GENEVE

Ne peut être utilisé à des fins commerciales sans autorisation écrite
 may not be used for commercial purposes without written authorization

DESIGNATION ITk Pixel Bare Quad Module 150um + RD53A FE Chip 150um DRAWING DEFINITION ITk Pixel Bare Quad Module 150um + RD53A FE 150um	DESIGNED	M.JANDA	FORMAT	A3
	CHECKED		SCALE	3:1
	RELEASED			
	APPROVED			
EQUIPMENT CODE	DESIGNED 2019-03-13			
 REFERENCES AT2-IP-ED-0002	Doc No: ST1040099_02	INDEX	LABEL	QAC
			NOT VALID FOR EXECUTION	SHEET 1/1



DESIGNATION ITk Pixel Quad Sensor 150um	DESIGNED	M.JANDA	FORMAT	A3
	CHECKED		SCALE	3:1
	RELEASED			
	APPROVED			
EQUIPMENT CODE	DESIGNED 2019-03-13			
REFERENCES	Doc No: ST1040097_02	INDEX	LABEL	QAC
AT2-IP-ED-0002			NOT VALID FOR EXECUTION	SHEET 1/1

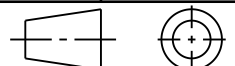


DESIGNATION
ITk Pixel FE Chip RD53A 150um

DESIGNED	M. JANDA	FORMAT
CHECKED		A4
RELEASED		SCALE
APPROVED		3:1

EQUIPMENT CODE

DESIGNED
2019-03-13



REFERENCES

Doc No: ST1040098_02

INDEX

LABEL

NOT VALID FOR EXECUTION

QAC

SHEET

1/1

AT2-IP-ED-0002