
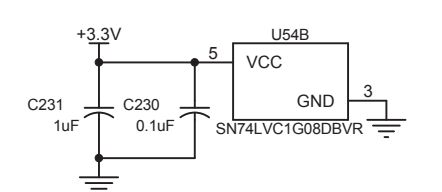
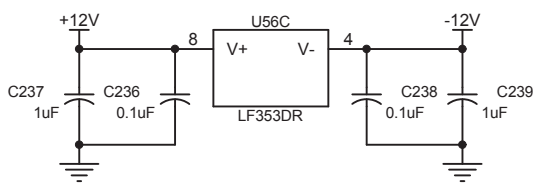
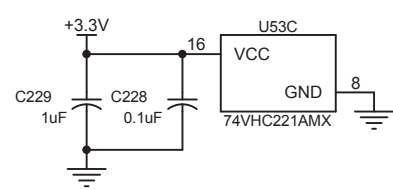
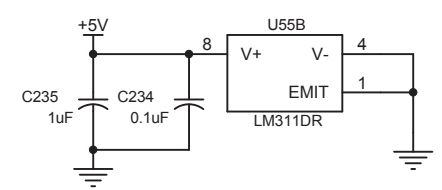
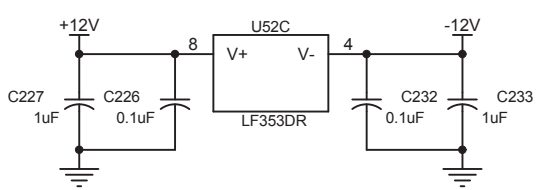
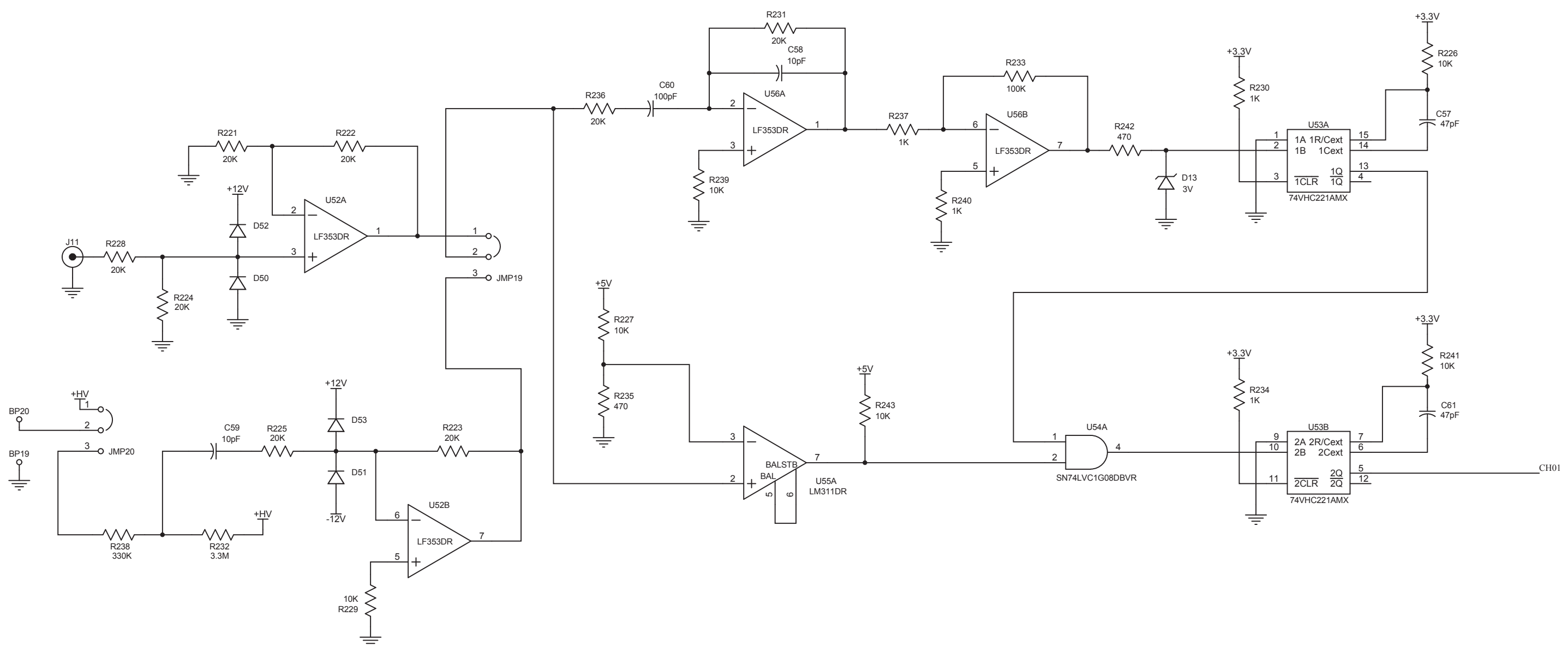


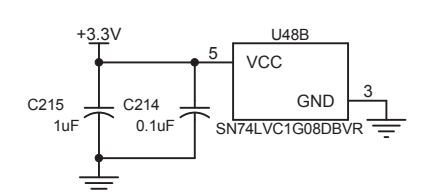
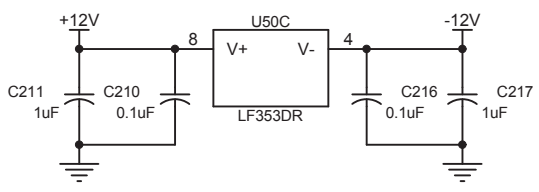
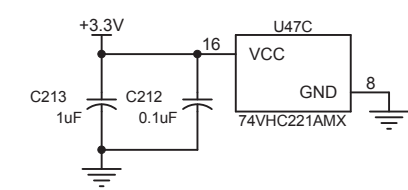
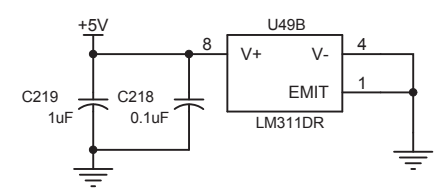
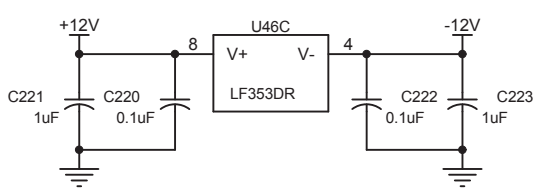
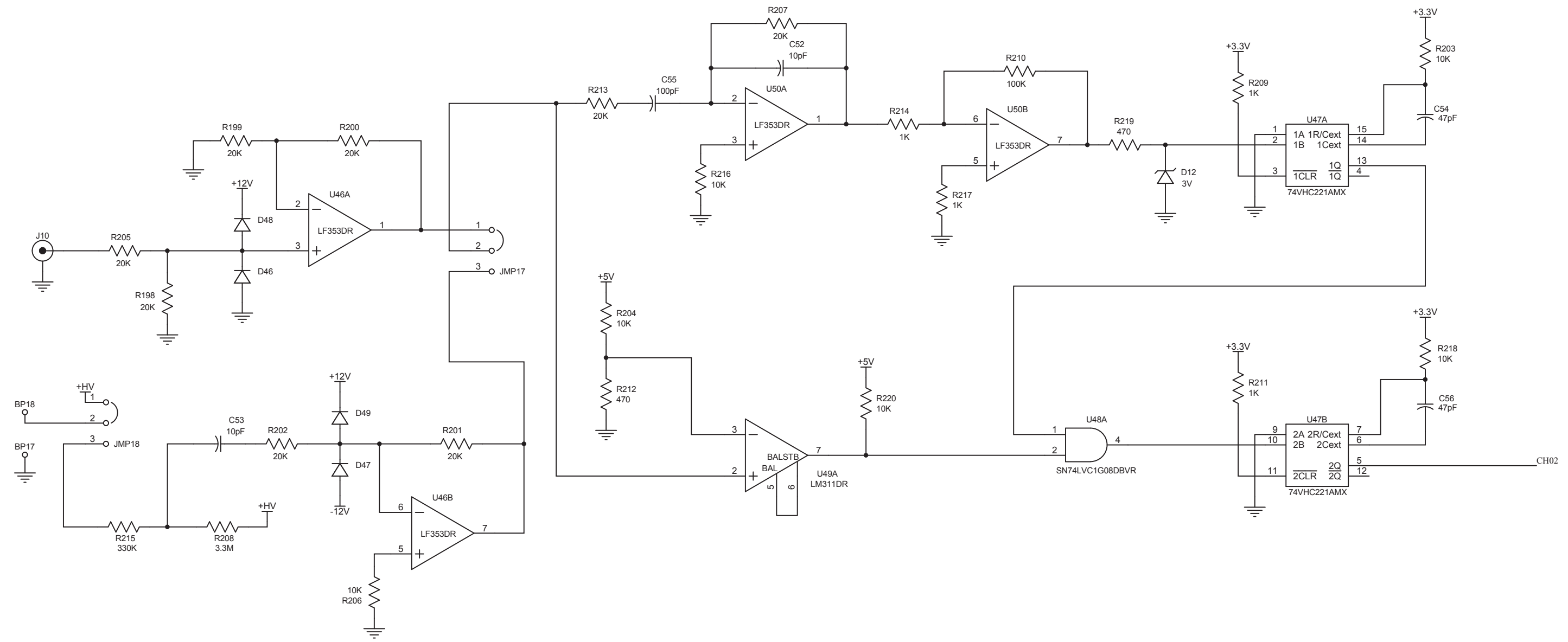
REVISIONS				
REV.	REMARKS	DRAWN	DATE	APPROVED

- 01: COVER SHEET
- 02: CHANNEL 1
- 03: CHANNEL 2
- 04: CHANNEL 3
- 05: CHANNEL 4
- 06: CHANNEL 5
- 07: CHANNEL 6
- 08: CHANNEL 7
- 09: CHANNEL 8
- 10: CHANNEL 9
- 11: CHANNEL 10
- 12: FPGA I/O
- 13: FPGA POWER & CONFIGURATION
- 14: RS-485 DRIVER / DAC / ADC / TEMPERATURE SENSOR
- 15: BOARD POWER

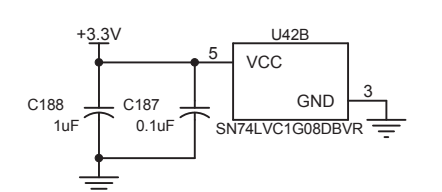
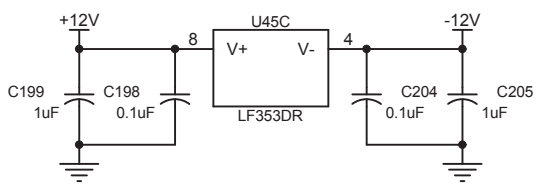
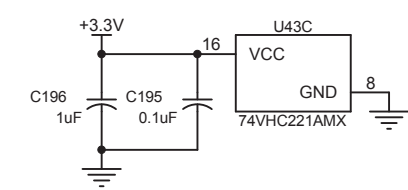
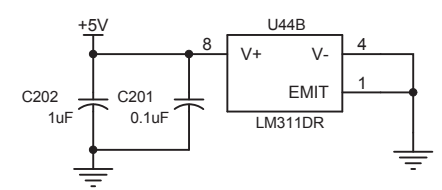
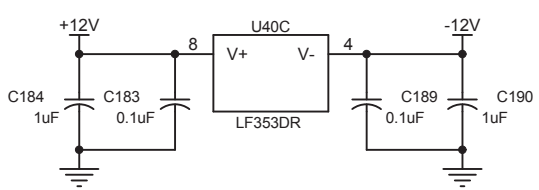
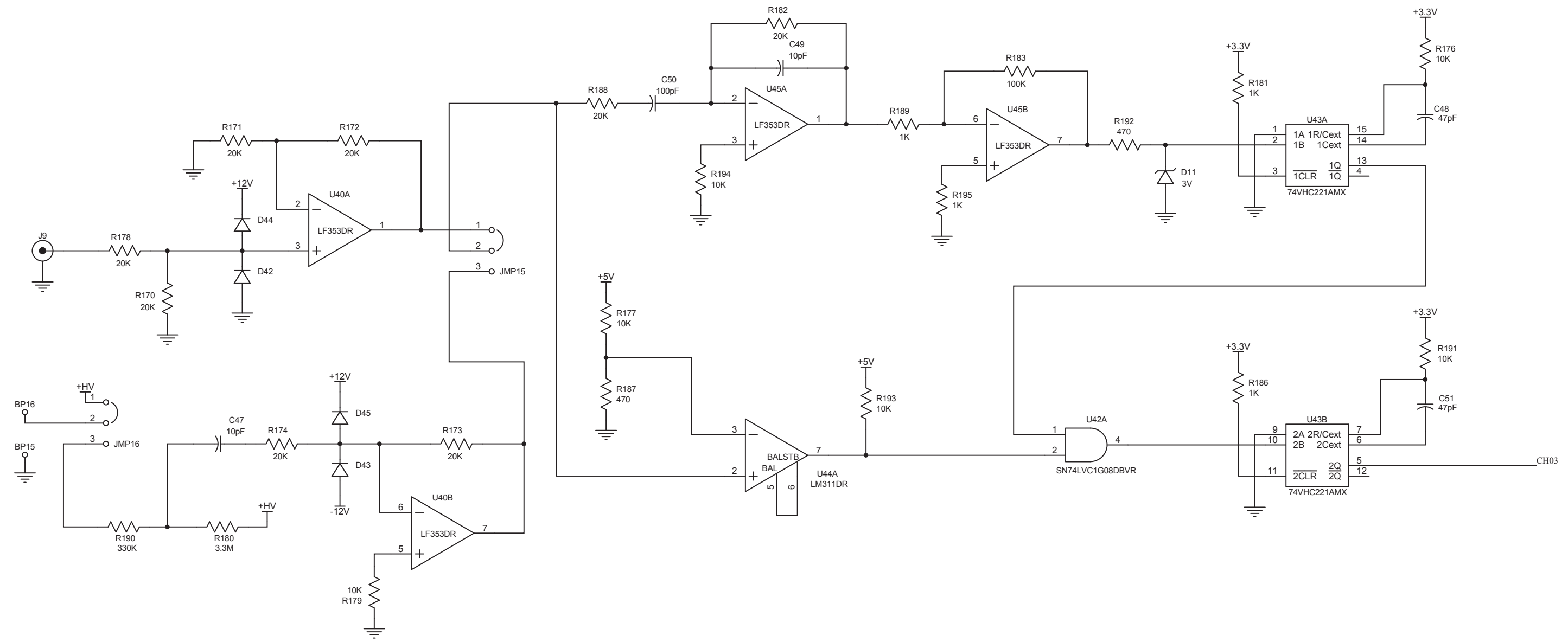
DRAWN C. SEATON		DATE 6/22/2012		 Thomas Jefferson National Accelerator Facility		
CHECKED T. ALLISON		DATE 7/8/2013				
APPR/ORIGINATOR C. SEATON		DATE 7/8/2013		TITLE RF SYSTEM CONTROLS 10 CHANNEL RADIATION MONITOR SCHEMATIC		
APPROVED O. GARZA		SIZE B	CAD I.D. NO. //EECAD...	DRAWING NO. C1214B01		REV -
ENGINEER C. SEATON		SCALE NONE	SHOWN ON -	SHEET 1	OF 15	



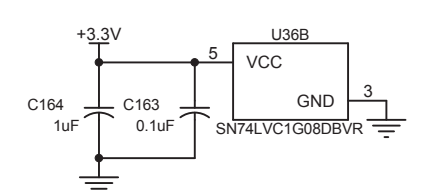
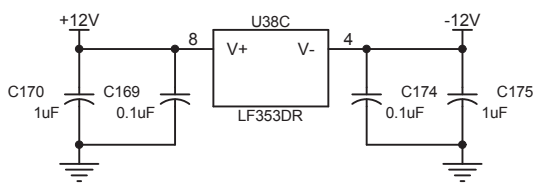
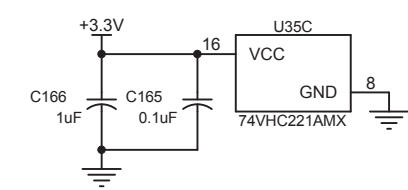
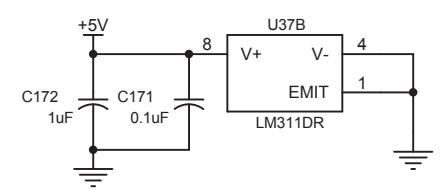
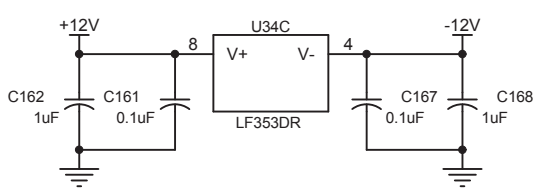
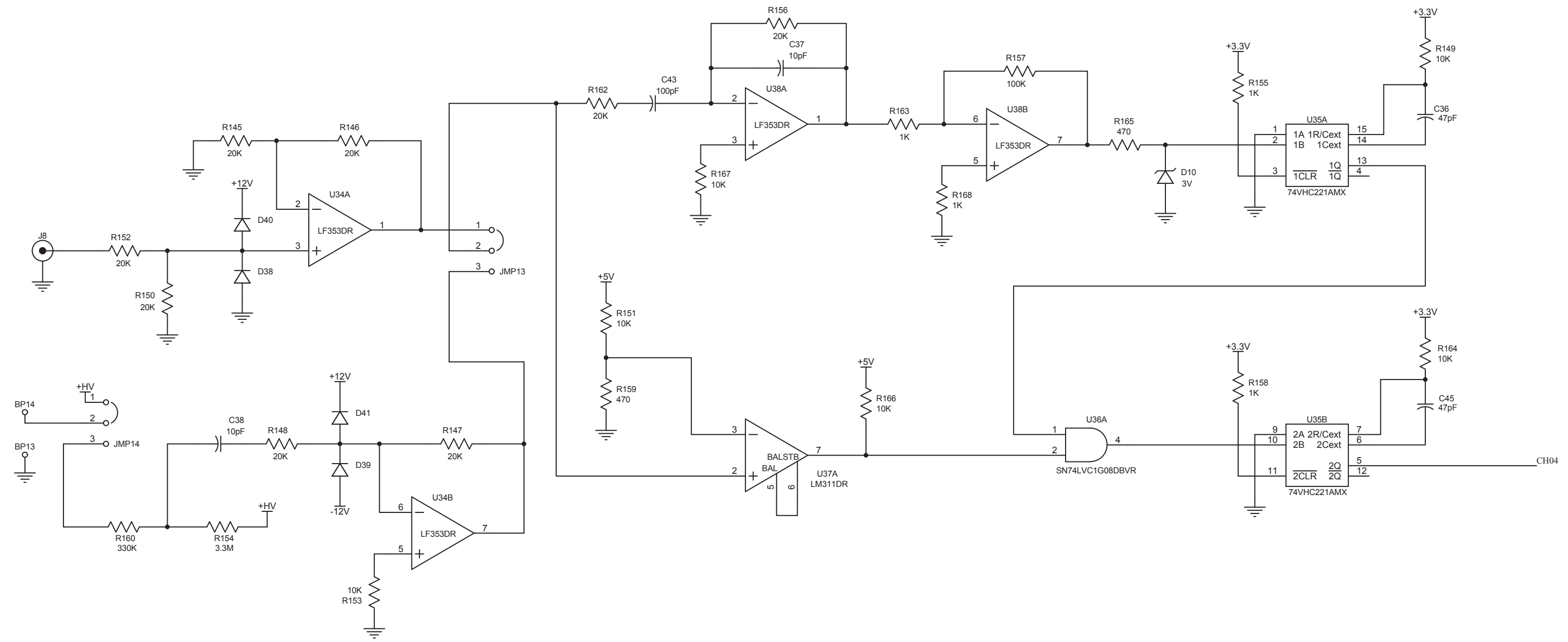
TITLE RF SYSTEM CONTROLS 10 CHANNEL RADIATION MONITOR SCHEMATIC			
SIZE B	CAD I.D. NO. //EECAD...	DRAWING NO. C1214B01	REV -
SCALE NONE	SHOWN ON -	SHEET 2	OF 15



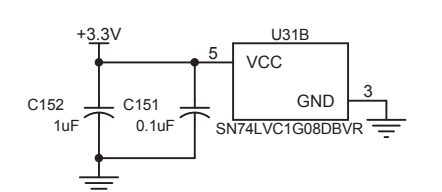
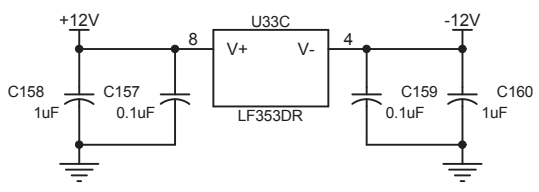
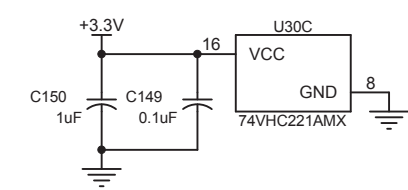
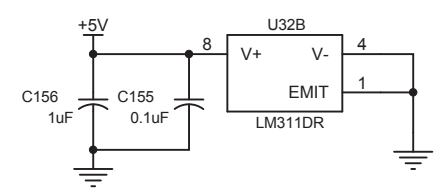
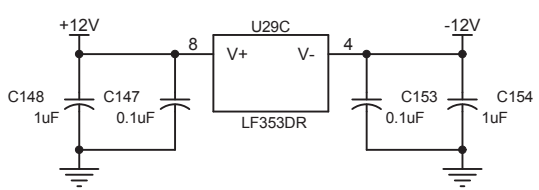
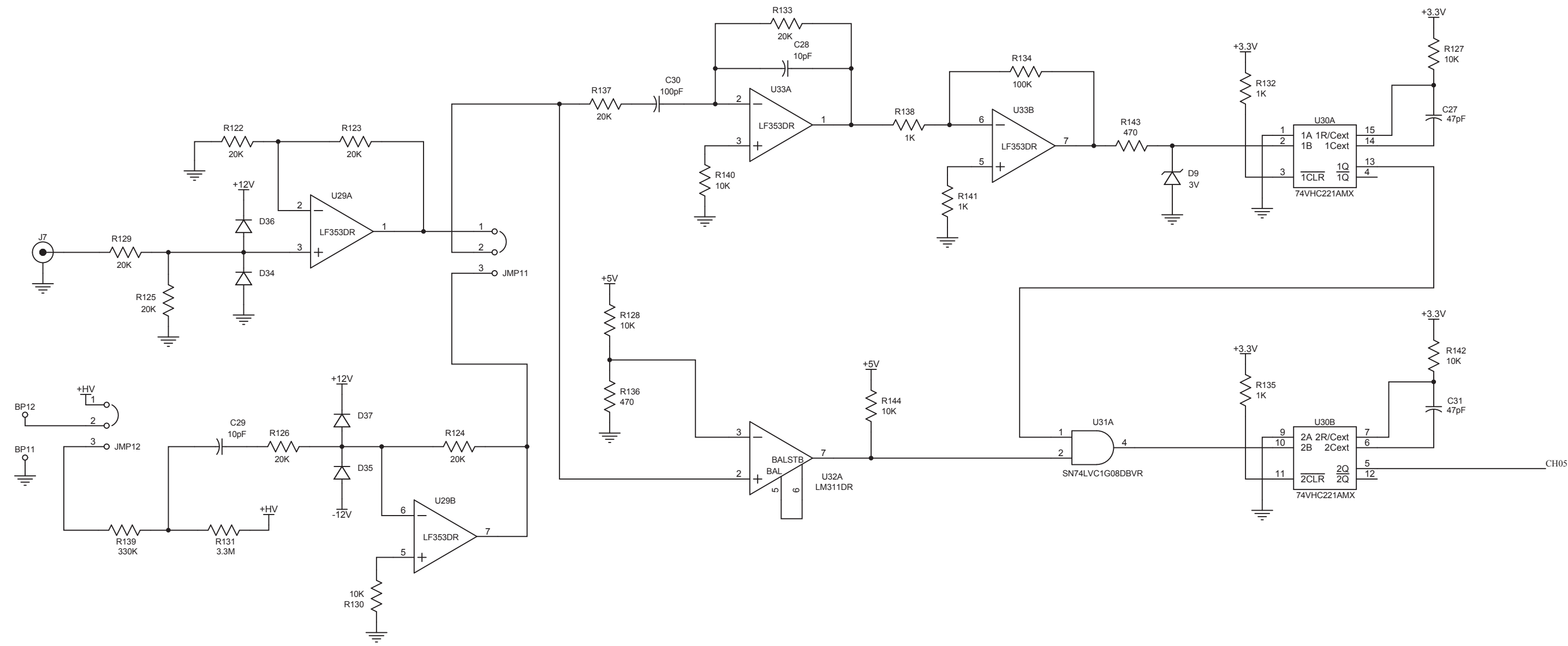
TITLE			
RF SYSTEM CONTROLS 10 CHANNEL RADIATION MONITOR SCHEMATIC			
SIZE	CAD I.D. NO.	DRAWING NO.	REV
B	//EECAD...	C1214B01	-
SCALE	SHOWN ON	SHEET	OF
NONE	-	3	15



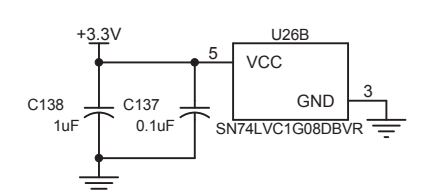
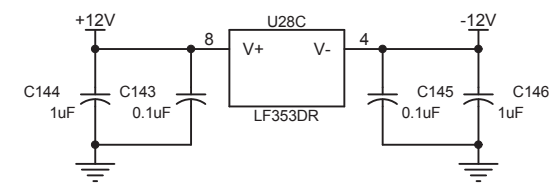
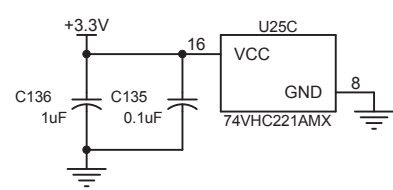
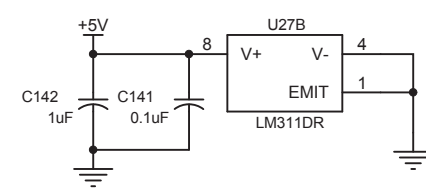
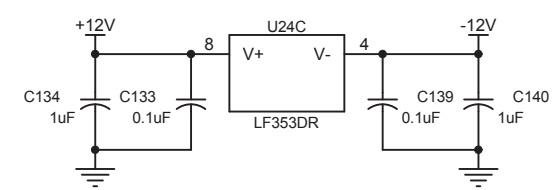
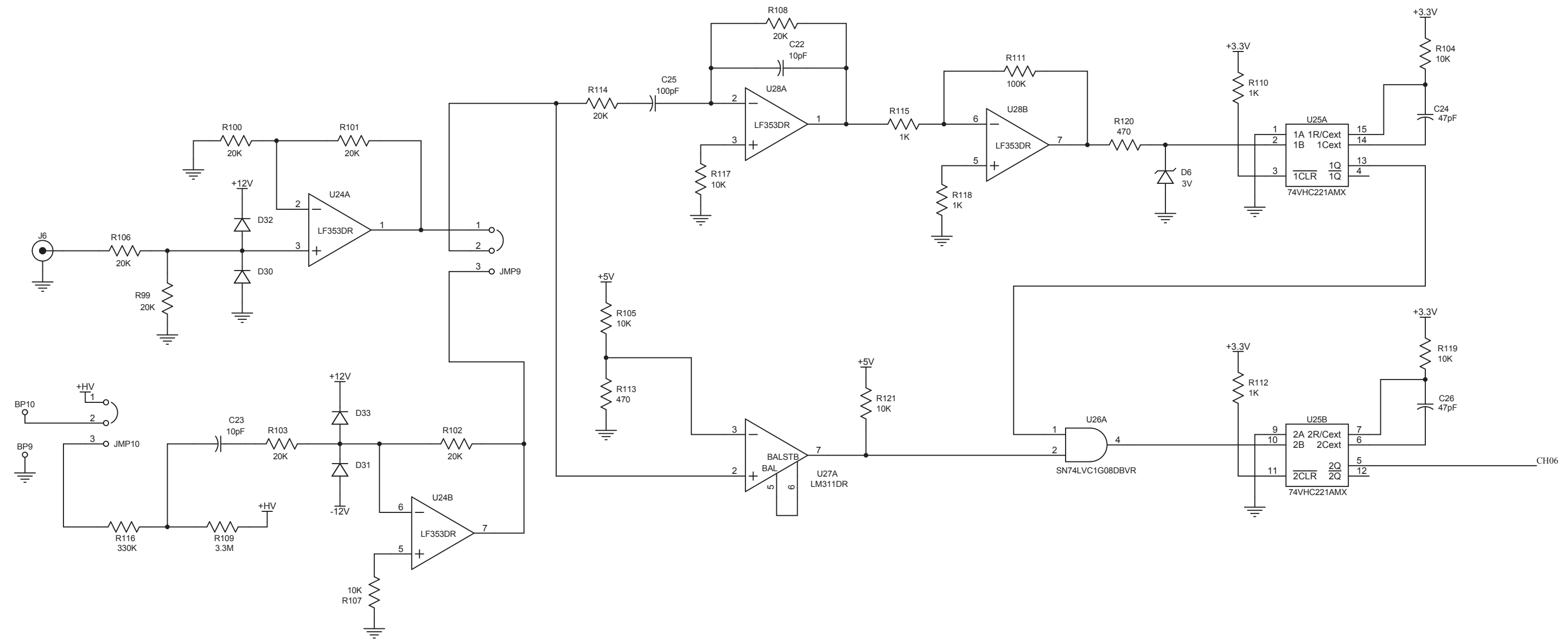
TITLE			
RF SYSTEM CONTROLS 10 CHANNEL RADIATION MONITOR SCHEMATIC			
SIZE	CAD I.D. NO.	DRAWING NO.	REV
B	//EECAD...	C1214B01	-
SCALE	SHOWN ON	SHEET	OF
NONE	-	4	15



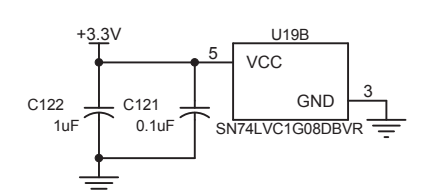
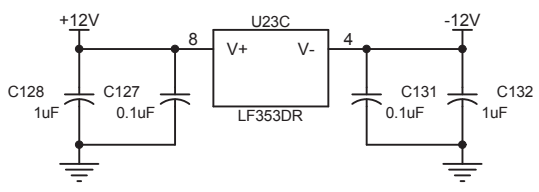
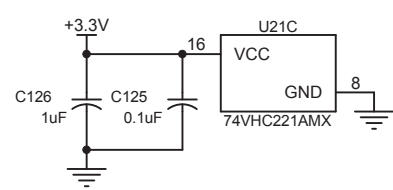
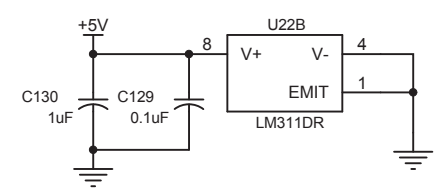
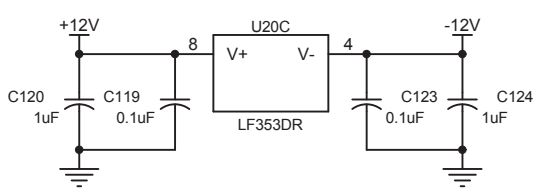
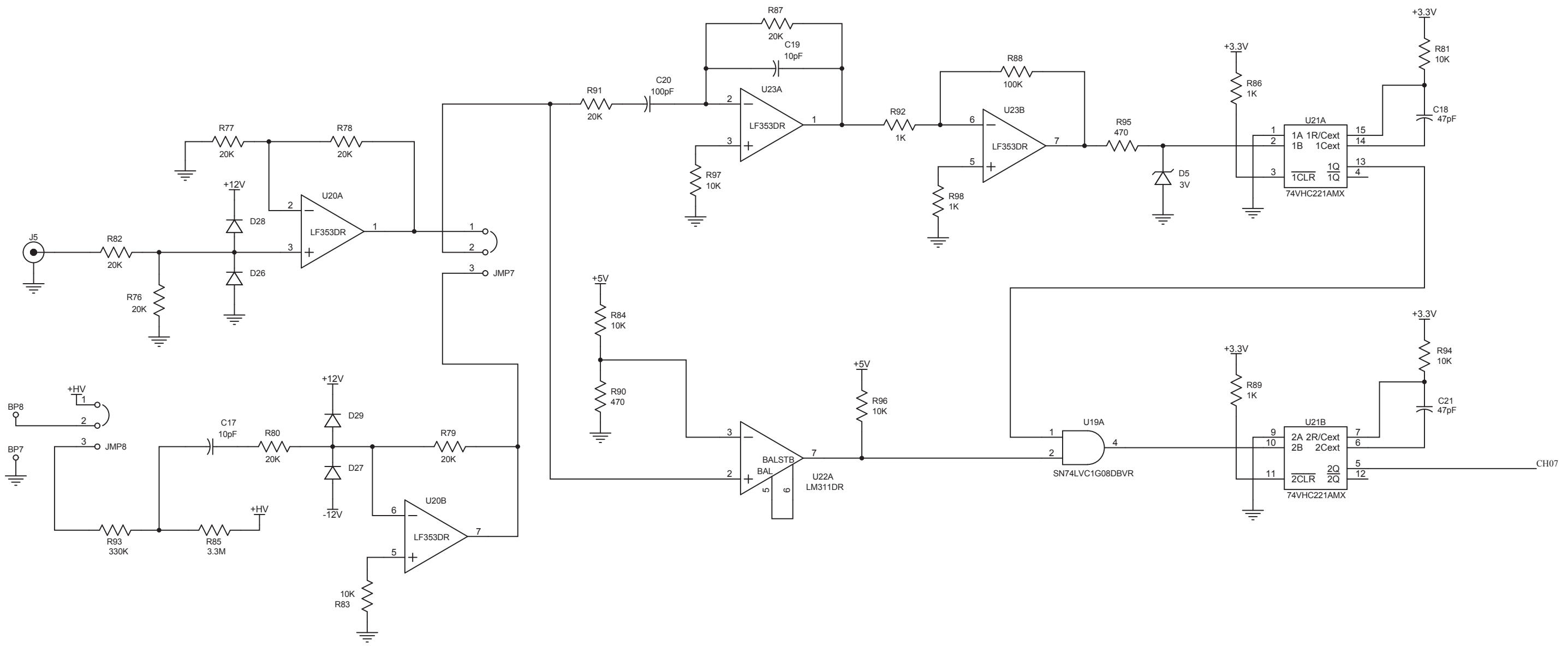
TITLE			
RF SYSTEM CONTROLS 10 CHANNEL RADIATION MONITOR SCHEMATIC			
SIZE	CAD I.D. NO.	DRAWING NO.	REV
B	//EECAD...	C1214B01	-
SCALE	SHOWN ON	SHEET	OF
NONE	-	5	15



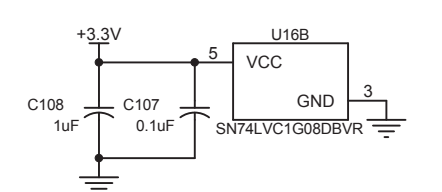
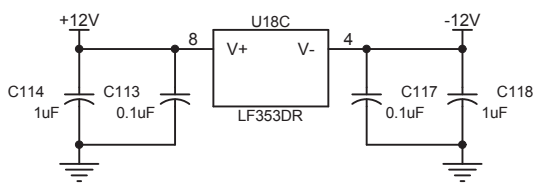
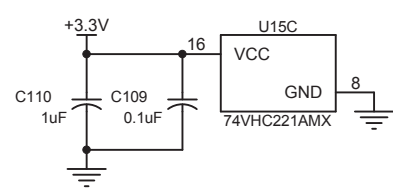
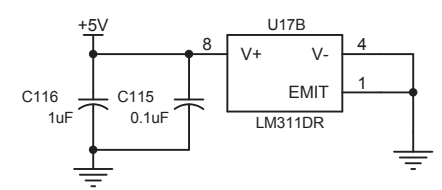
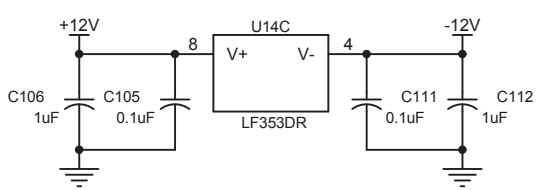
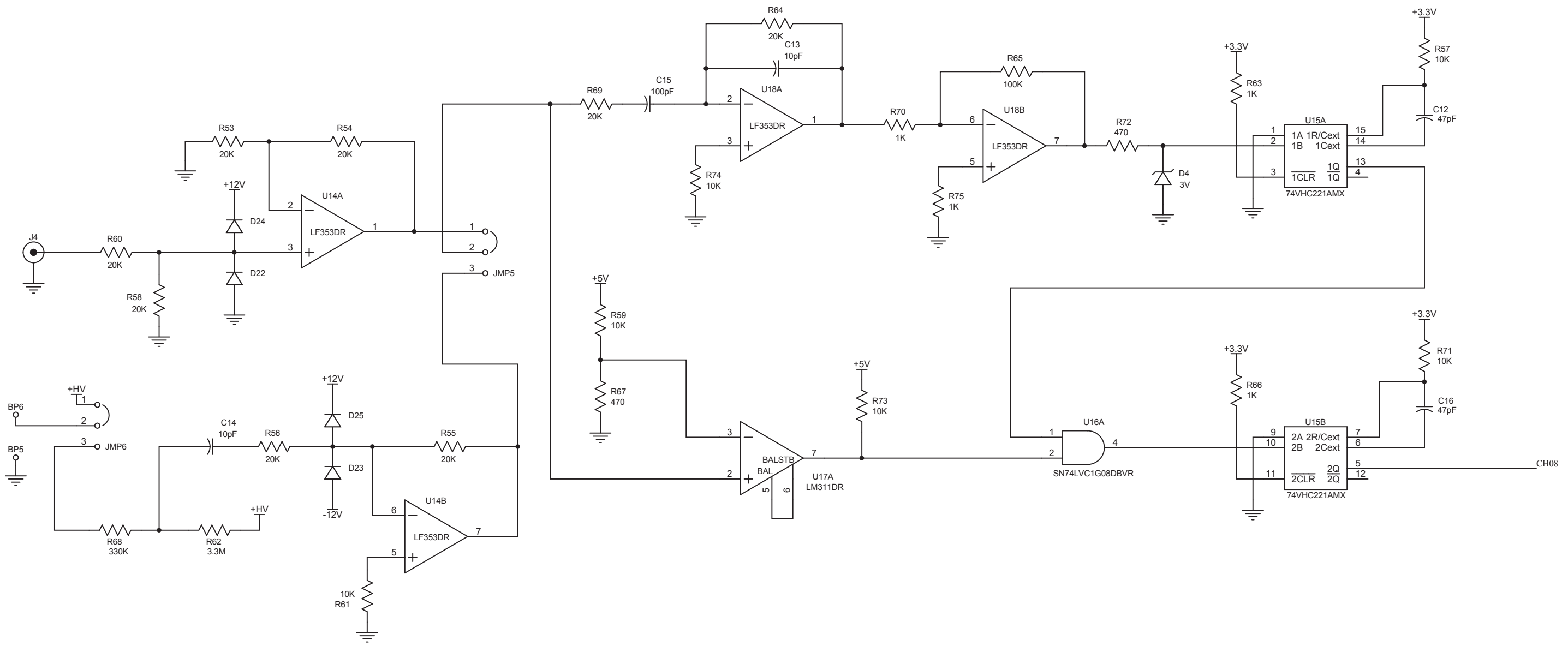
TITLE			
RF SYSTEM CONTROLS 10 CHANNEL RADIATION MONITOR SCHEMATIC			
SIZE	CAD I.D. NO.	DRAWING NO.	REV
B	//EECAD...	C1214B01	-
SCALE	SHOWN ON	SHEET	OF
NONE	-	6	15



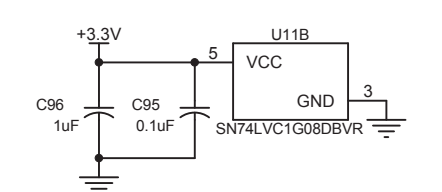
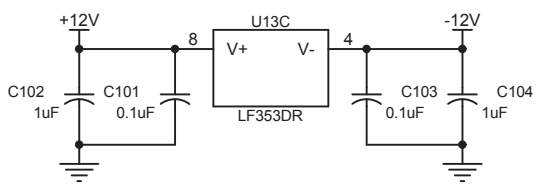
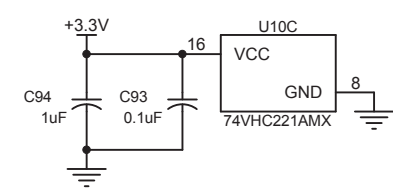
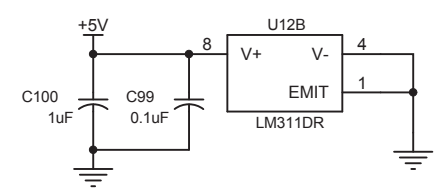
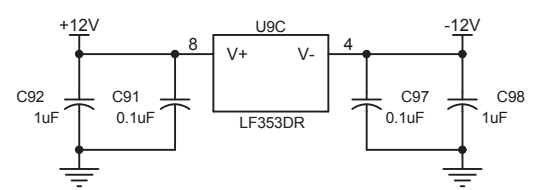
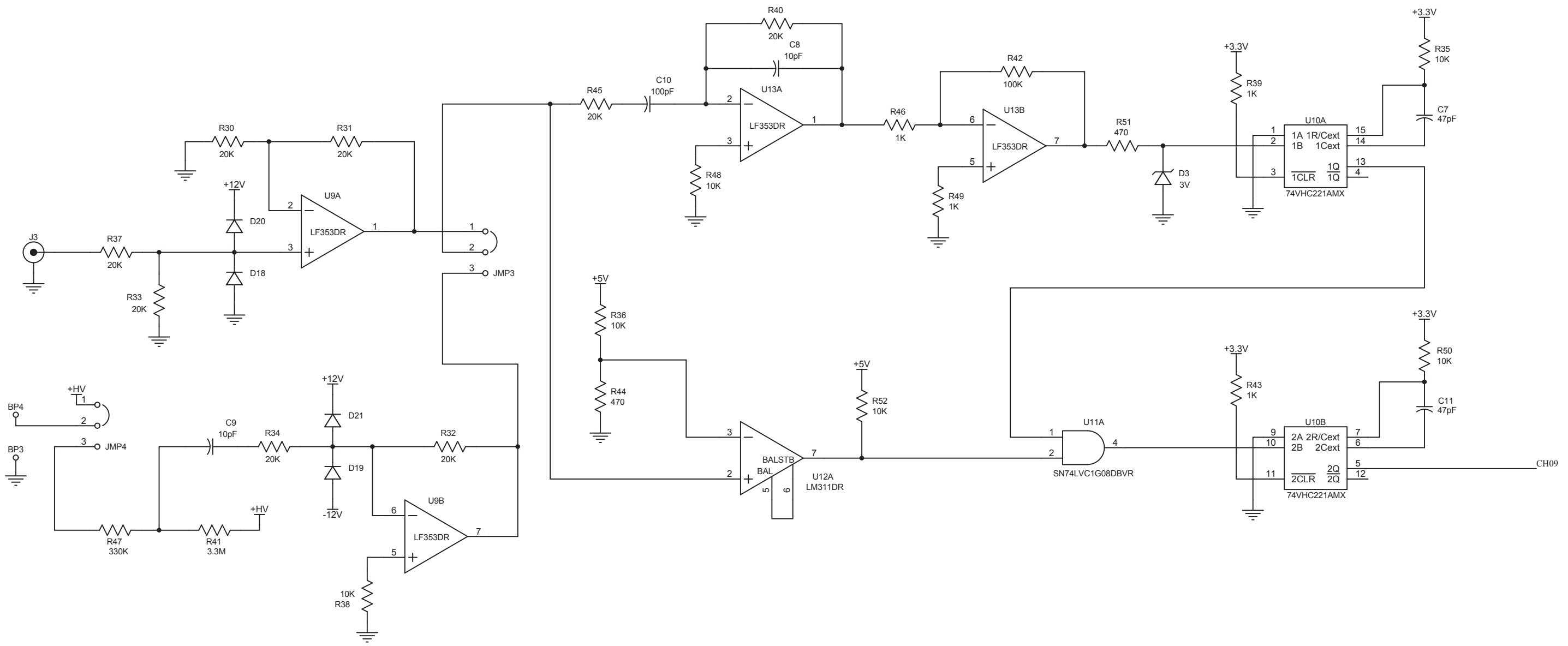
TITLE			
RF SYSTEM CONTROLS 10 CHANNEL RADIATION MONITOR SCHEMATIC			
SIZE	CAD I.D. NO.	DRAWING NO.	REV
B	//EECAD...	C1214B01	-
SCALE	SHOWN ON	SHEET	OF
NONE	-	7	15



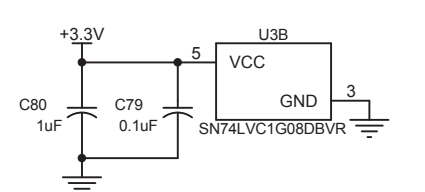
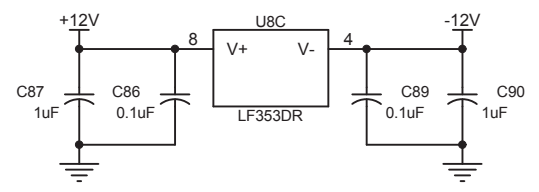
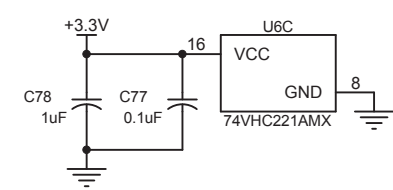
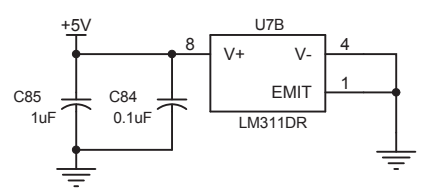
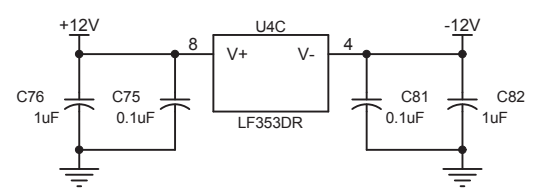
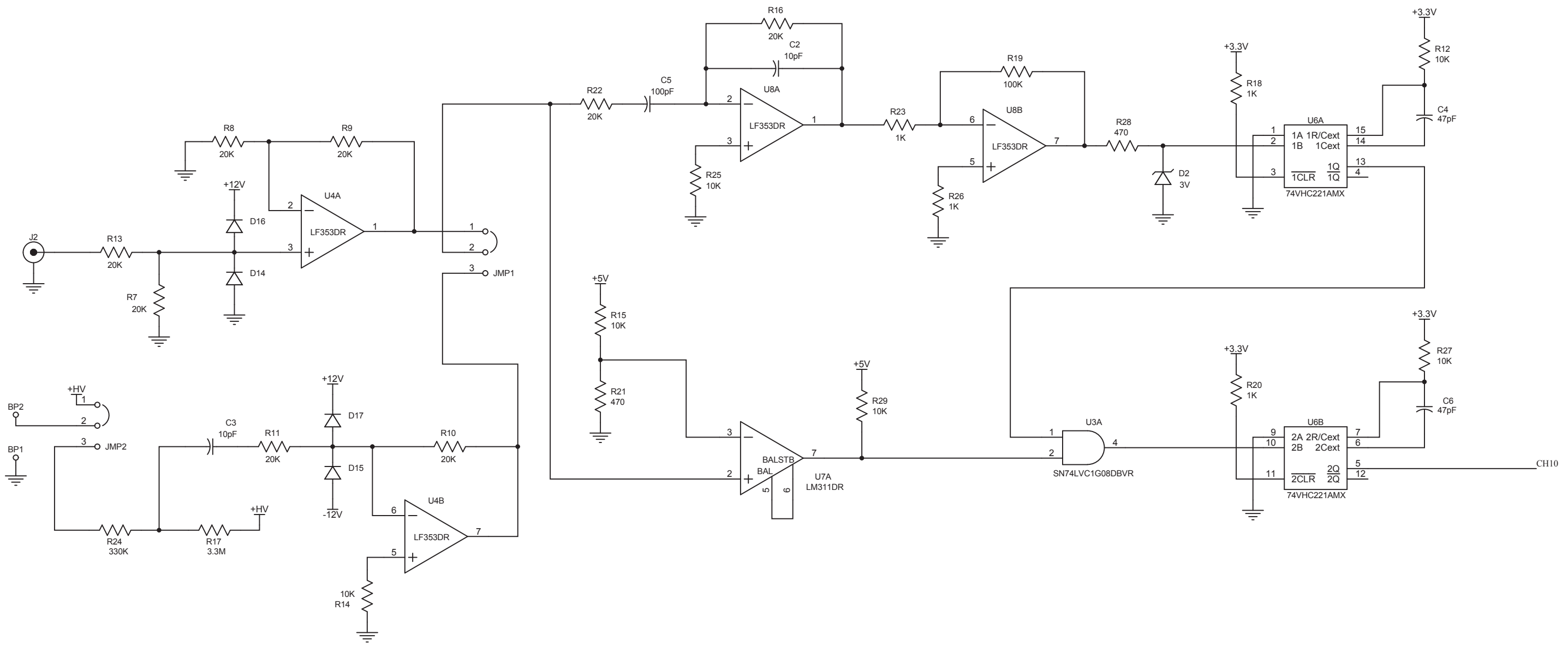
TITLE			
RF SYSTEM CONTROLS 10 CHANNEL RADIATION MONITOR SCHEMATIC			
SIZE	CAD I.D. NO.	DRAWING NO.	REV
B	//EECAD...	C1214B01	-
SCALE	SHOWN ON	SHEET	OF
NONE	-	8	15



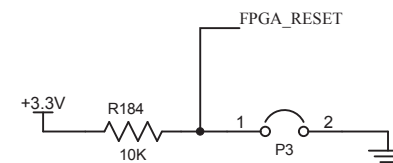
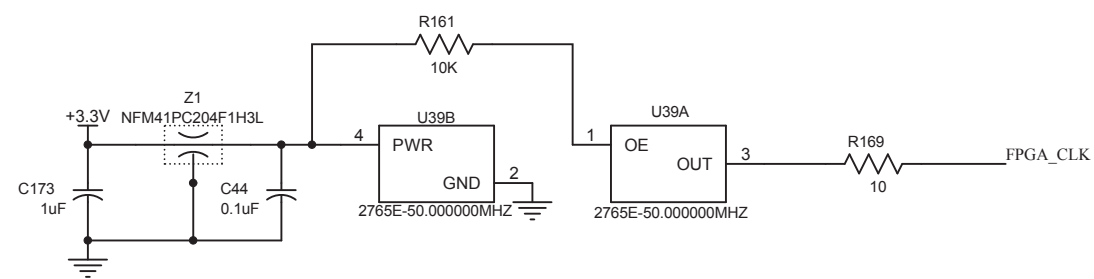
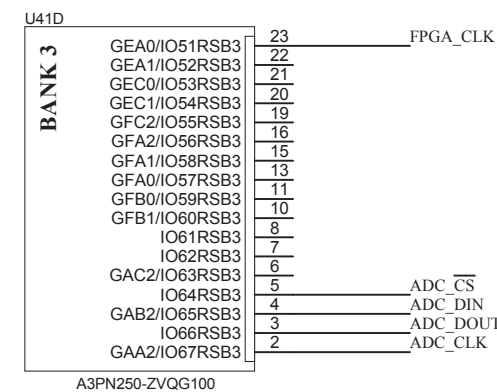
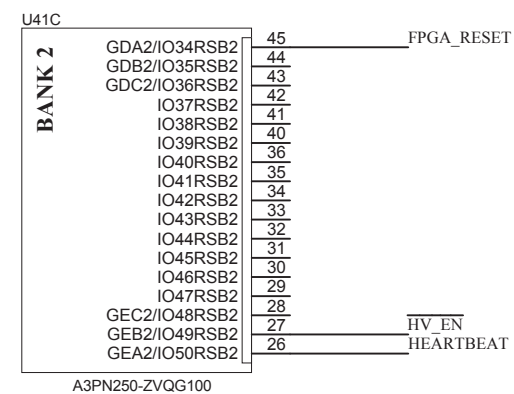
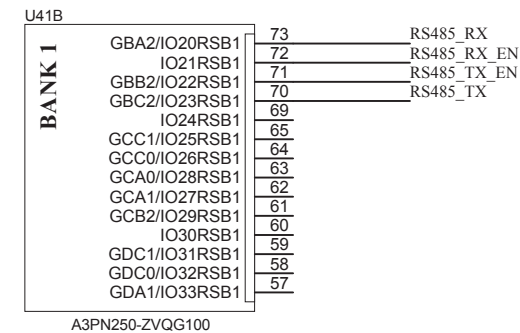
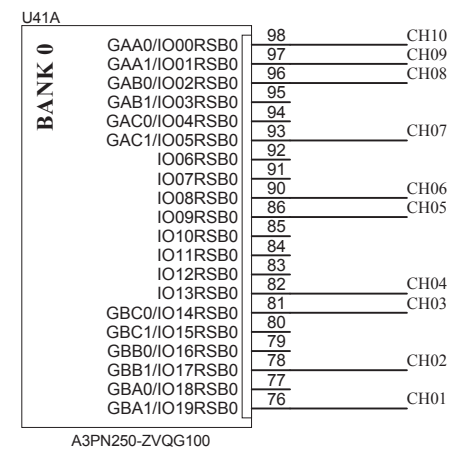
TITLE			
RF SYSTEM CONTROLS 10 CHANNEL RADIATION MONITOR SCHEMATIC			
SIZE	CAD I.D. NO.	DRAWING NO.	REV
B	//EECAD...	C1214B01	-
SCALE	SHOWN ON	SHEET	OF
NONE	-	9	15



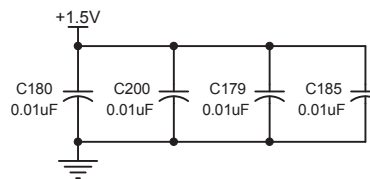
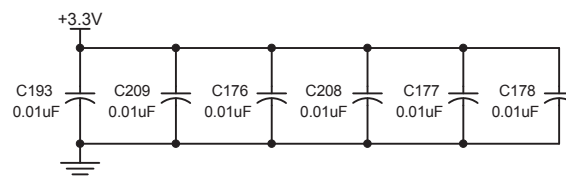
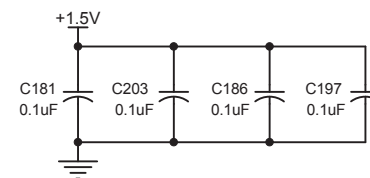
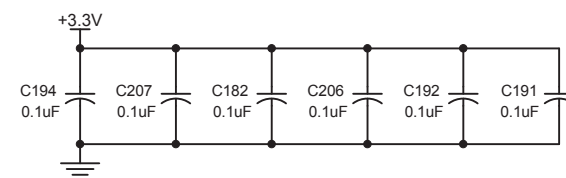
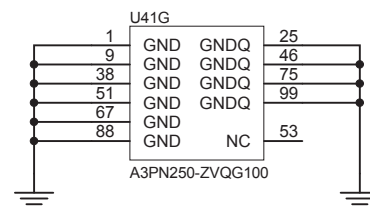
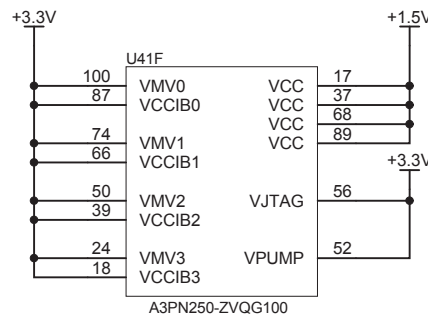
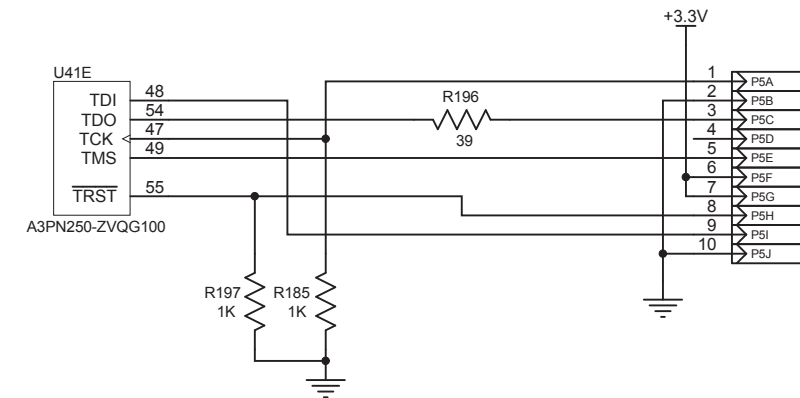
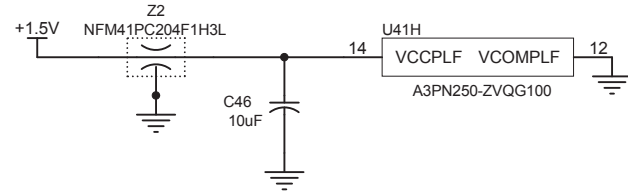
TITLE			
RF SYSTEM CONTROLS 10 CHANNEL RADIATION MONITOR SCHEMATIC			
SIZE	CAD I.D. NO.	DRAWING NO.	REV
B	//EECAD...	C1214B01	-
SCALE	SHOWN ON	SHEET	OF
NONE	-	10	15



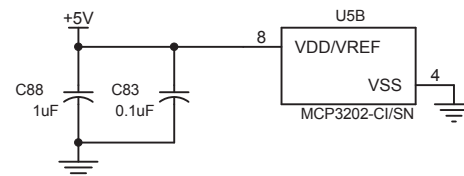
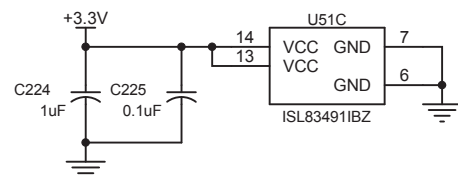
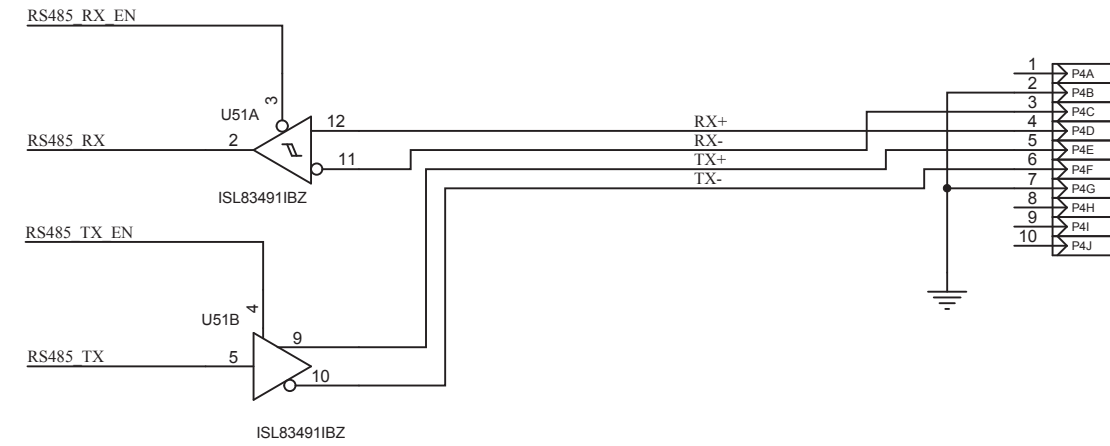
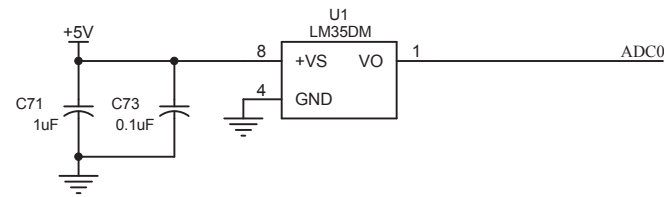
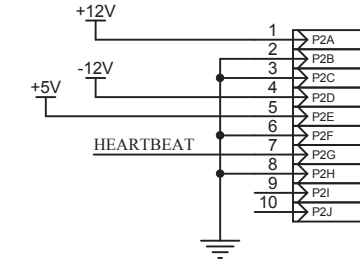
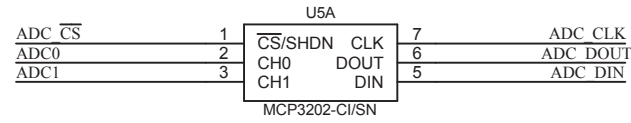
TITLE			
RF SYSTEM CONTROLS 10 CHANNEL RADIATION MONITOR SCHEMATIC			
SIZE	CAD I.D. NO.	DRAWING NO.	REV
B	//EECAD...	C1214B01	-
SCALE	SHOWN ON	SHEET	OF
NONE	-	11	15



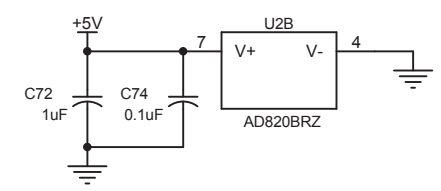
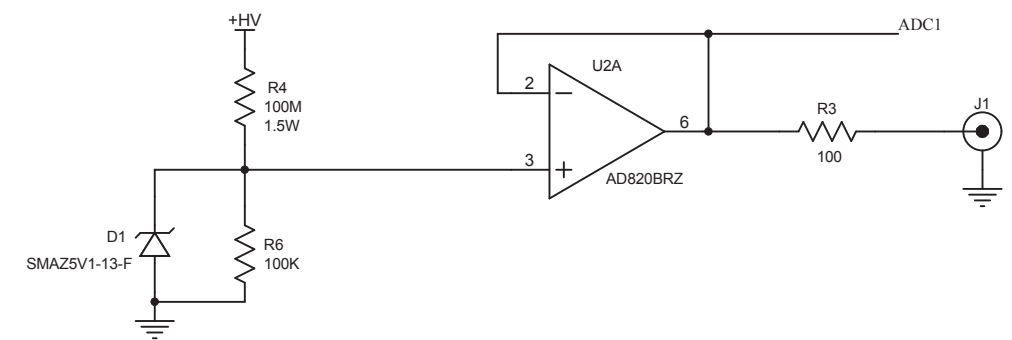
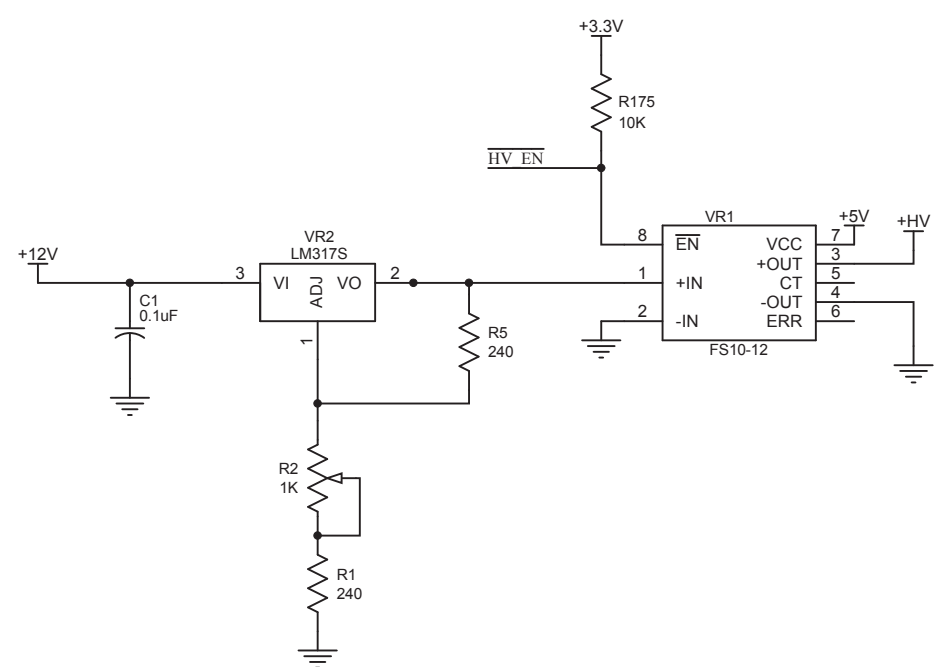
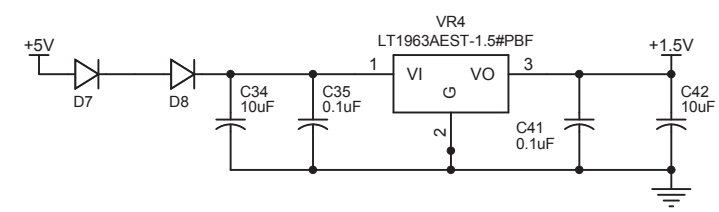
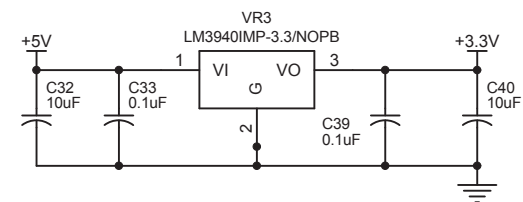
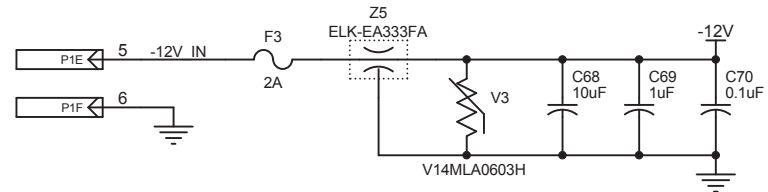
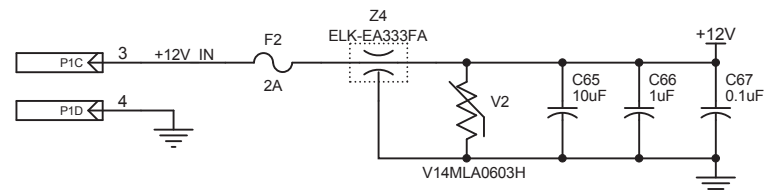
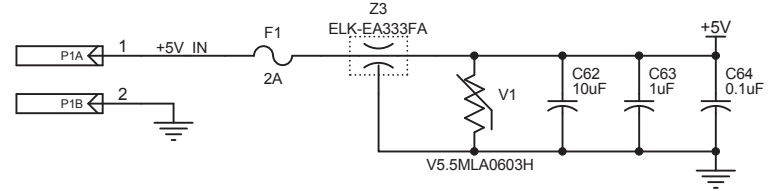
TITLE			
RF SYSTEM CONTROLS 10 CHANNEL RADIATION MONITOR SCHEMATIC			
SIZE	CAD I.D. NO.	DRAWING NO.	REV
B	//EECAD...	C1214B01	-
SCALE	SHOWN ON	SHEET	OF
NONE	-	12	15



TITLE			
RF SYSTEM CONTROLS 10 CHANNEL RADIATION MONITOR SCHEMATIC			
SIZE	CAD I.D. NO.	DRAWING NO.	REV
B	//EECAD...	C1214B01	-
SCALE	SHOWN ON	SHEET	OF
NONE	-	13	15



TITLE			
RF SYSTEM CONTROLS 10 CHANNEL RADIATION MONITOR SCHEMATIC			
SIZE	CAD I.D. NO.	DRAWING NO.	REV
B	//EECAD...	C1214B01	-
SCALE	SHOWN ON	SHEET	OF
NONE	-	14	15



TITLE			
RF SYSTEM CONTROLS 10 CHANNEL RADIATION MONITOR SCHEMATIC			
SIZE	CAD I.D. NO.	DRAWING NO.	REV
B	//EECAD...	C1214B01	-
SCALE	SHOWN ON	SHEET	OF
NONE	-	15	15