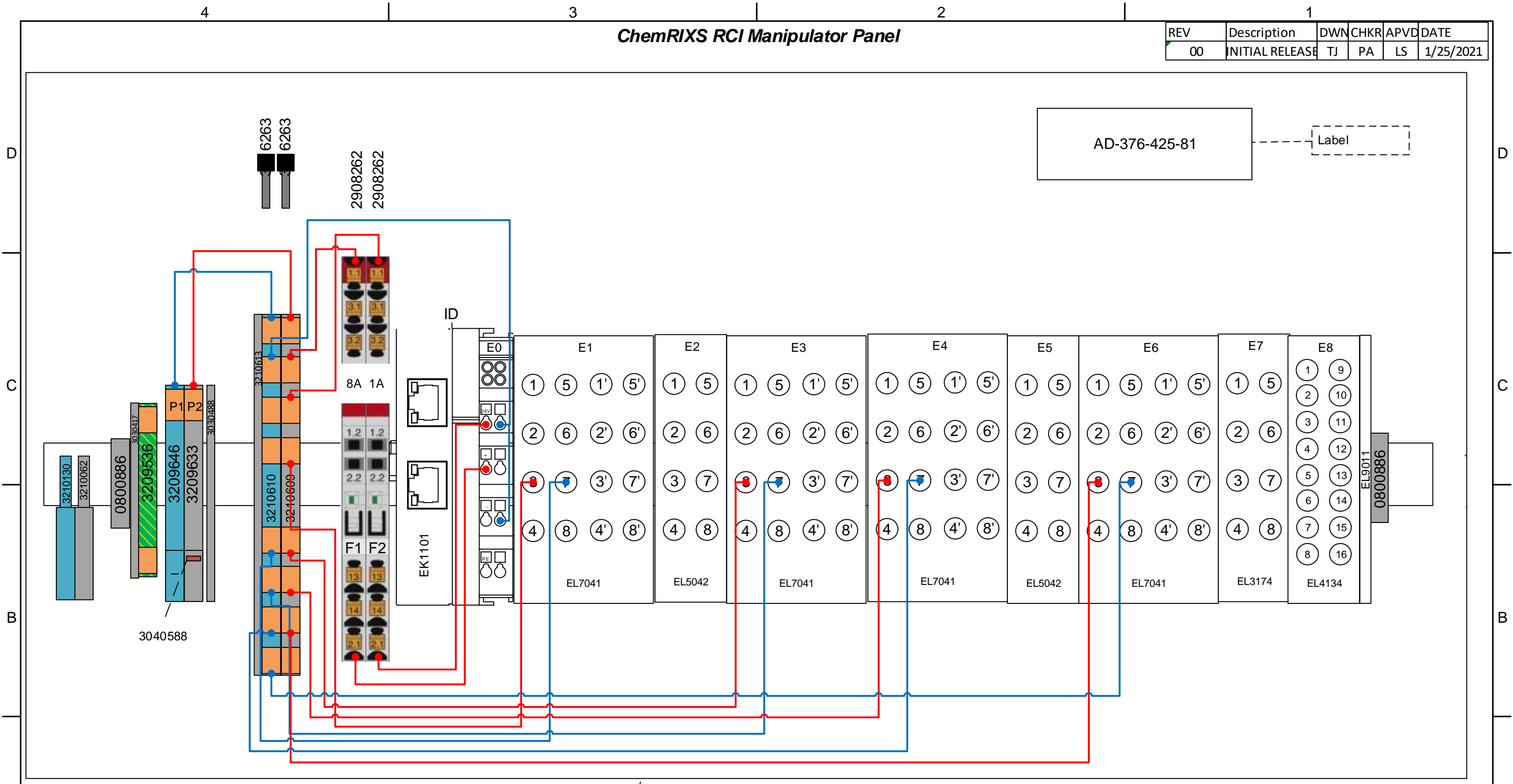




ChemRIXS RCI Manipulator Panel

REV	Description	DWN	CHKR	APVD	DATE
00	INITIAL RELEASE	TJ	PA	LS	1/25/2021



3U Panel
P/N: PROLINE
61-002

SCALE 1:1	AD-376-425-81-C00 ChemRIXS RCI Manipulator Panel.vsd	1 of 1
 		<h2>ChemRIXS RCI Manipulator Panel</h2>
ENGR T. Johnson DRTS T. Johnson CHKD P. Ayers	DATE 7/21/2020 11/17/2020 1/25/2021	
AD	376-425-81	00