



# IPS DIGITAL L-TYPE USER GUIDE

## Table of Contents

I.	<b>Product Summary</b> .....	2
II.	<b>Explanation of Symbols Used in This Manual &amp; On Module</b> .....	2
III.	<b>Laser Safety</b> .....	3
IV.	<b>Product View</b> .....	4
V.	<b>Included Components</b> .....	7
VI.	<b>Laser Start-Up (Control of Output Power Via Front Panel)</b> .....	8
VIa.	<b>Laser Start-Up (External Control via USB)</b> .....	10
VIb.	<b>Laser Start-Up (External Power Control via Analog BNC)</b> .....	10
VII.	<b>Laser Shut Down</b> .....	11
VIII.	<b>Maintenance &amp; Cleaning</b> .....	12
IX.	<b>Product Specifications</b> .....	<b>Error! Bookmark not defined.</b>
X.	<b>Warranty</b> .....	12
XI.	<b>Performance Features &amp; Laser Safety and Compliance Labels</b> .....	12
XIa.	<b>Performance Features:</b> .....	12
	<b>Appendix A</b> .....	17
	<b>Command Reference</b> .....	21
	<b>Command Reference Summary</b> .....	23
	<b>Command Reference (Detailed)</b> .....	26
	<b>Error Codes</b> .....	36

## I. Product Summary









The Innovative Photonic Solutions (IPS) Digital L-Type provides the user with a powerful and extremely stable laser source that is ideal for scientific applications including Raman Spectroscopy and Illumination.

The Digital L-Type is a Class 3B or Class 4 laser product depending on output power. Extreme care should be taken when operating this unit to avoid potentially hazardous exposure to both eyes and skin. Users should wear eye protection when operating this unit and should avoid exposure to the output beam.

<b>Class 3B Lasers</b>	<499mW
<b>Class IV Lasers</b>	>500mW

## II. Explanation of Symbols Used in This Manual & On Module

The following table details the symbols placed on the module and in this manual, and their meanings:

Symbol	Description
	Identifies important information that should be read and thoroughly understood before operating the equipment.
	Laser Warning Label
	Explanatory label – Documents important information about equipment specifications and features.
	General Information Label – Provides information that may be helpful and documents IEC 60825-1 & FDA Compliance information
	Symbol indicating “Off” position on a switch
	Symbol indicating “On” position on a switch
	Protective Ground Symbol
	USB I/O Port Symbol

### III. Laser Safety

- ⚠ Caution – use of controls or adjustments or performance of procedures other than those specified herein may result in hazardous radiation exposure.
- ⚠ Do not point laser or allow laser light to be directed or reflected toward other people or reflective objects.
- ⚠ Do not modify unit or remove protective covers or housings
- ⚠ Laser light emitted from this equipment may be sufficient to ignite some materials and initiate fire
- ⚠ Never operate laser if unit is defective or if safety covers, interlocks, and labels are damaged or missing.

The use of laser safety goggles is required when operating this product.

**Laser Safety Eyewear specifications:**

- Optical density: ND5 or higher at laser excitation wavelength
- ND 1 or lower at 600 nm
- Top and side shield protection
- CE certified



Failure to wear appropriate eye protection may result in permanent eye damage

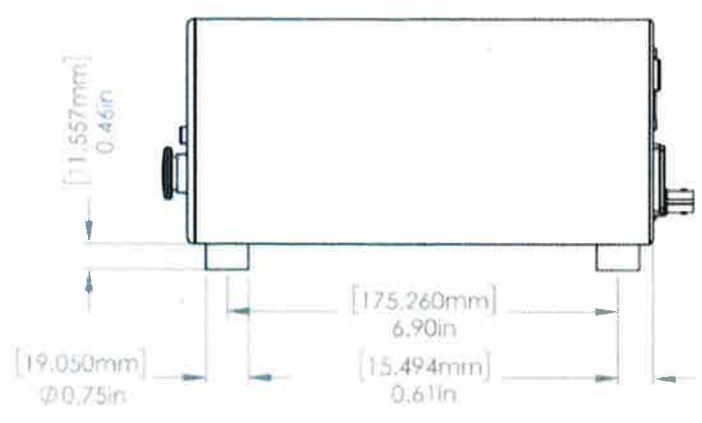
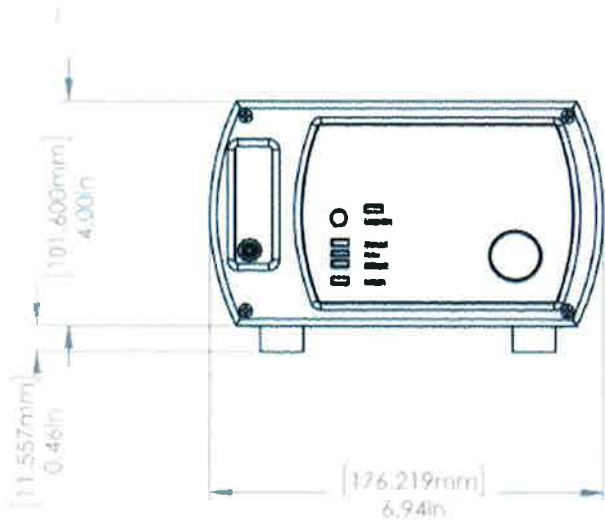
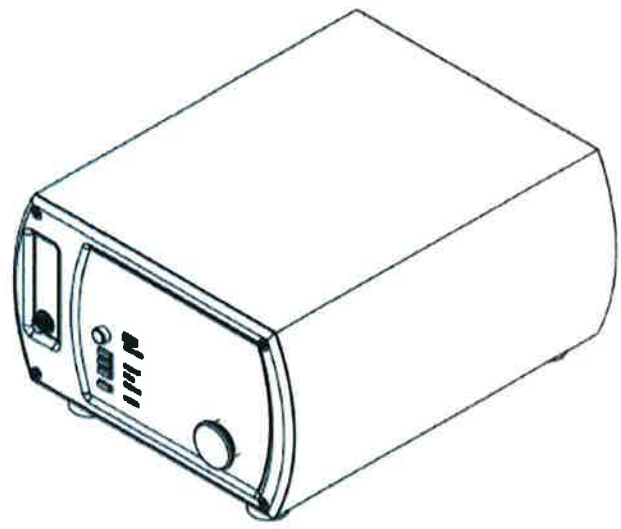
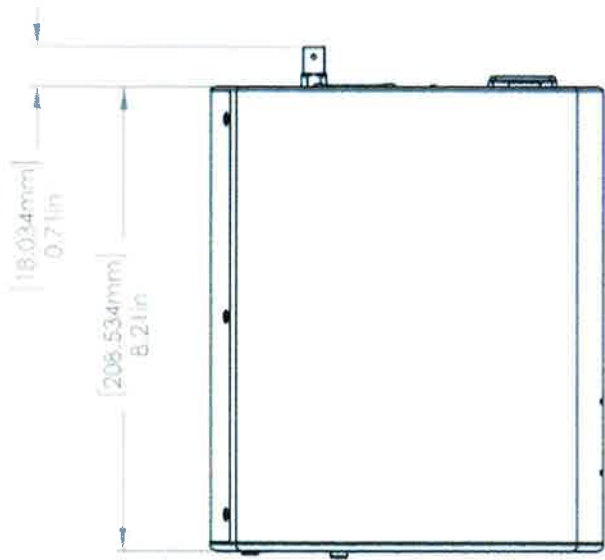
**INVISIBLE LASER RADIATION**

**Avoid Eye or Skin Exposure to Direct or Scattered Radiation**

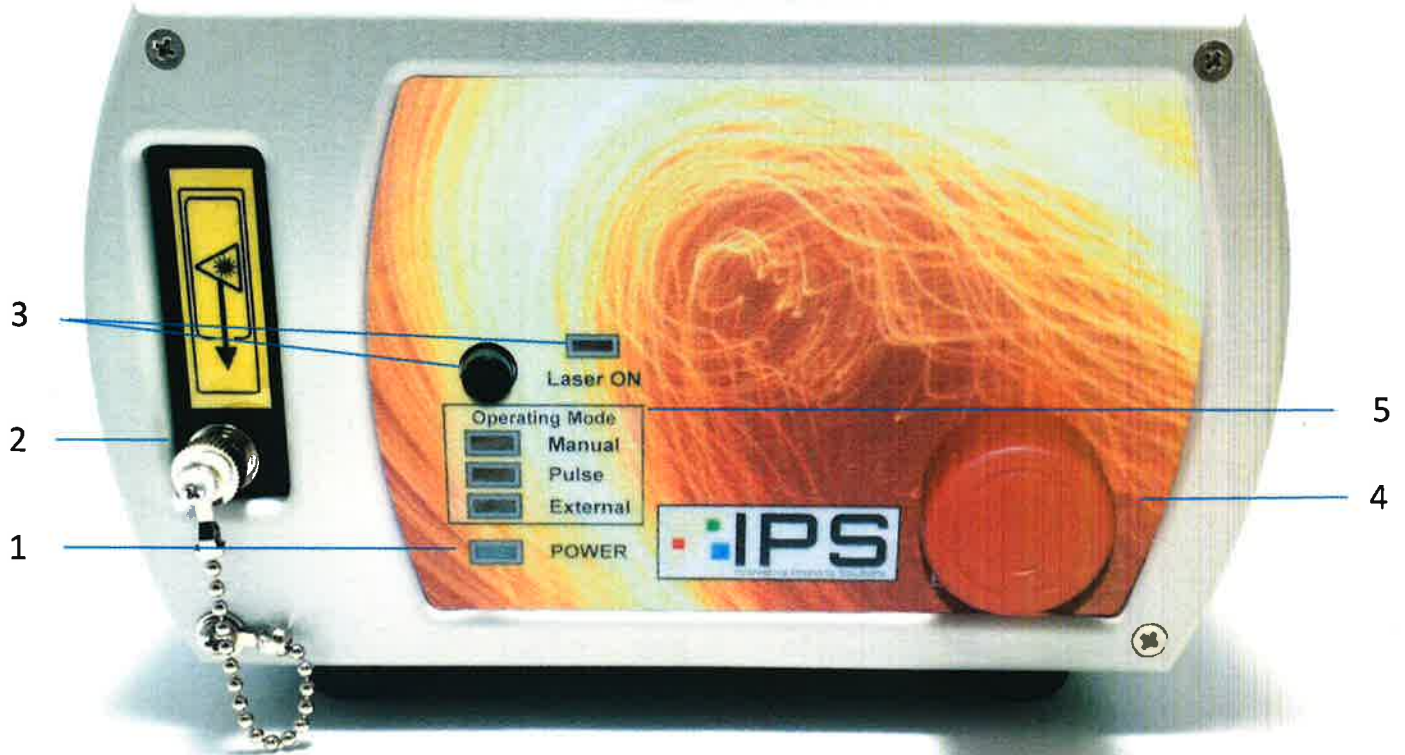
Additional helpful information may be found in ANSI Z136.1 “Standard for Safe Use of Lasers”. This document can be obtained at [www.rli.com](http://www.rli.com) or [www.laserinstitute.org](http://www.laserinstitute.org)

**IV. Product View**

**Figure 1: Mechanical Schematics**

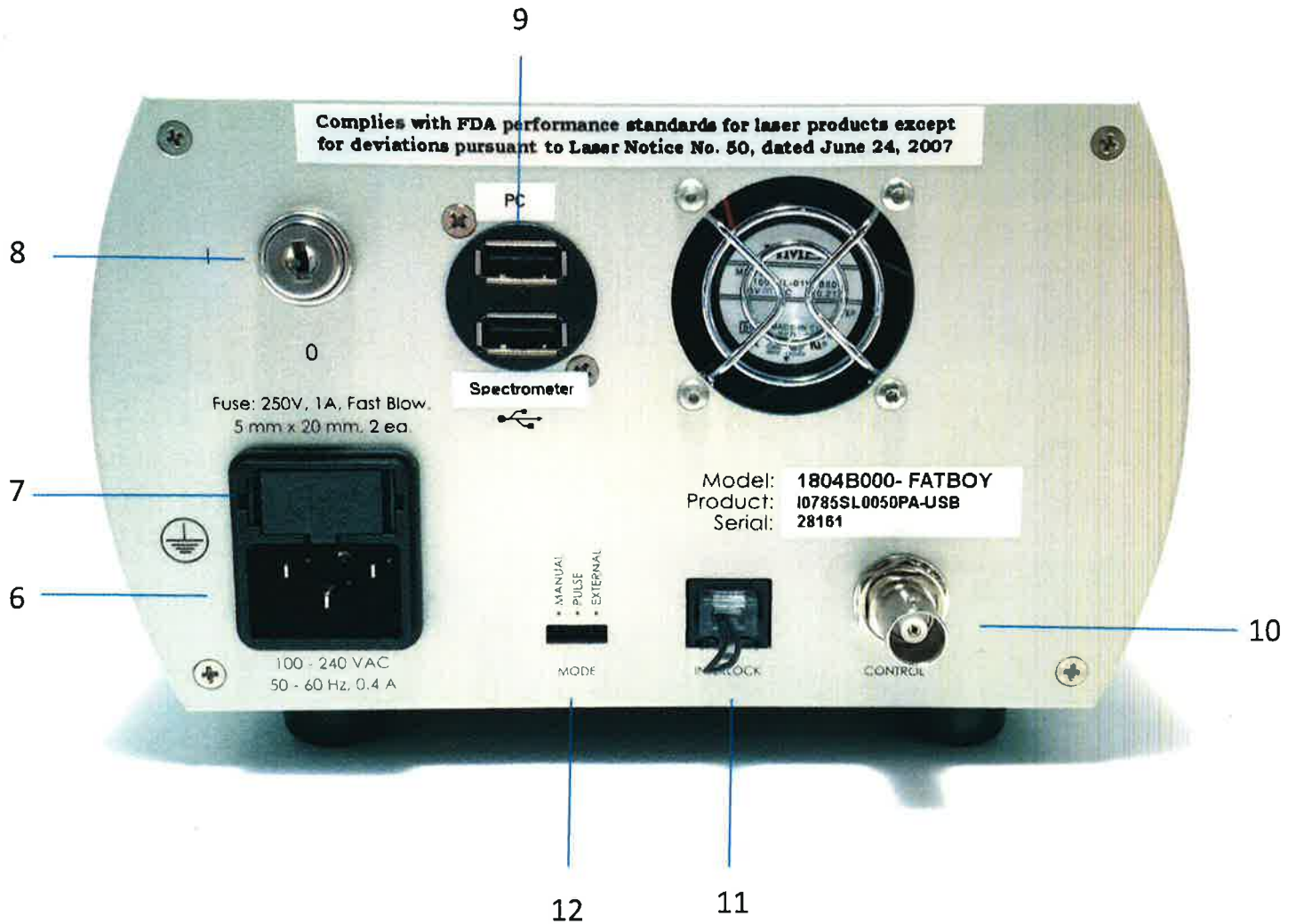


**Figure 2: Front Panel**



- 1 Power LED
- 2 FC/APC Bulkhead Connector
- 3 "Laser ON" Button and LED
- 4 Emergency Shut-off Switch (EMO)
- 5 Operating Mode LEDs

**Figure 3: Rear Panel**



- 6 Power Connector Port
- 7 Removable Fast Blow Fuse Access Panel
- 8 Master Power Key Switch ("0" = Off, "I" = On)
- 9 Dual USB Type A Port
- 10 BNC Modulation Input Connector/Control Port
- 11 Remote Interlock (RJ-11 Port)
- 12 Mode Selection

## V. Product Specifications and Standard Configurations

This chapter consists of the product specifications, standard wavelength configurations, and product options.

### GENERAL Single Mode OPTICAL SPECIFICATIONS

Standard Wavelengths*	633nm, 638nm, 680nm, 780nm, 785nm, 808nm, 830nm, 976nm, 1030nm, 1064nm			
Wavelength Tolerance	+/- 0.5nm			
Narrowed Linewidth Spectral Linewidth	<0.1nm (0.08nm typical)			
Standard Output Power Levels	633nm	638nm	780nm, 785nm, 808nm, 830nm, 1064nm	
	20mW	25mW	50mW	
	785nm, 1030nm		1053nm, 1064nm	976nm
	100mW		120mW	220mW
	1030nm	1053nm, 1064nm		976nm
	280mW	300mW		500mW
SMSR	35dB – 45dB			
Wavelength Stability Temperature Range	15°C – 45°C			
Output Power Stability	<1% at constant case temperature			
Modulation Rate	Digital Modulation: 25KHz External Modulation: CW to 10kHz at 50% duty cycle or CW to 1kHz at 10% - 100% duty cycle			
Warm-Up Time	Cold Start: 10 seconds			
	Warm Start: 1.5 second			

### PHYSICAL SPECIFICATIONS

Optical Fiber	105/125 micron multimode fiber, 0.22 NA
Connector	FC/PC or SMA905
Electrical Connector	10-pin Molex #53014-1010 (mating connector 51004-1000) USB mini B
Module Dimensions	3.0in. (76.2mm) x 2.5in. (63.5mm) x 0.69in. (17.53mm)
Module Weight	3.5oz. (100g)
Case Material	Anodized Aluminum
Case Temperature Range	-10°C - 45°C
Internal Cooling Air Flow	100 LFM with attached heatsink
Environment	0% - 80% humidity, non-condensing
Storage Temperature	-50°C – 90°C
Regulatory	RoHS 2.0 Certified Exempt from CFR Title 21 1040.10 and 1040.11 (component/replacement part)



## GENERAL Multi Mode OPTICAL SPECIFICATIONS

Standard Wavelengths*	633nm, 638nm, 680nm, 780nm, 785nm, 808nm, 830nm, 976nm, 1030nm, 1064nm	
Wavelength Tolerance	+/- 0.5nm	
Narrowed Linewidth Spectral Linewidth	<0.1nm (0.08nm typical)	
Standard Output Power Levels	638nm, 680nm	785nm, 808nm, 830nm
	300mW	350mW
	785nm, 808nm, 830nm, 1064nm	785nm, 830nm
	500mW	1200mW
SMSR	35dB – 45dB	
Wavelength Stability Temperature Range	15°C – 45°C	
Output Power Stability	<1% at constant case temperature	
Modulation Rate	Digital Modulation: 25KHz External Modulation: CW to 10kHz at 50% duty cycle or CW to 1kHz at 10% - 100% duty cycle	
Warm-Up Time	Cold Start: 10 seconds	
	Warm Start: 1.5 second	

### PHYSICAL SPECIFICATIONS

Optical Fiber	105/125 micron multimode fiber, 0.22 NA
Connector	FC/PC or SMA905
Electrical Connector	10-pin Molex #53014-1010 (mating connector 51004-1000) USB mini B
Module Dimensions	3.0in. (76.2mm) x 2.5in. (63.5mm) x 0.69in. (17.53mm)
Module Weight	3.5oz. (100g)
Case Material	Anodized Aluminum
Case Temperature Range	-10°C - 45°C
Internal Cooling Air Flow	100 LFM with attached heatsink
Environment	0% - 80% humidity, non-condensing
Storage Temperature	-50°C – 90°C
Regulatory	RoHS 2.0 Certified
	Exempt from CFR Title 21 1040.10 and 1040.11 (component/replacement part)

## VI. Included Components

The Innovative Photonic Solutions Digital L-Type comes complete with an internal 50mW spectrum stabilized laser module that contains an integral Thermo-Electric Cooler (TEC) and thermistor for monitoring the internal temperature of the laser platform. The unit comes complete with a laser enable switch for safety, an LED readout, an output power control dial, a safety key lockout, a dual USB connection hub, a remote interlock, and an emergency shut-off switch.

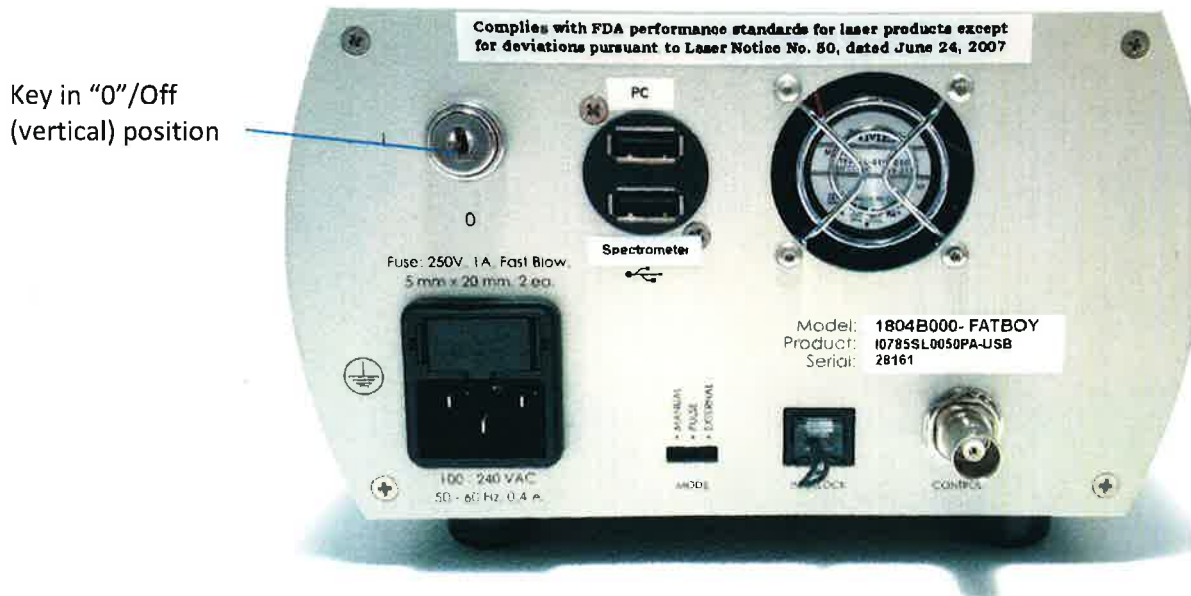
## VII. Laser Start-Up (Control of Output Power Via Front Panel)

The following steps and illustrations should be followed when starting the Digital L-Type Spectrum Stabilized Laser Module.

**Caution—use of controls or adjustments, or performance of procedures other than those specified herein may result in hazardous radiation exposure.**

1. Ensure the Master Power Key Switch is set to the “0”/Off (vertical) position. See Figure 4.
2. Connect the supplied power cable to the power connector port on the M-Type unit and plug into a 100V – 240V AC electrical outlet.

**Figure 4: Master Power Key set to “0”/Off (vertical) position**



3. Connect a suitable FC/APC connectorized fiber patch cord to the FC/APC bulkhead connector located on front panel.
4. The laser is configured with a remote interlock. IPS has provided an RJ-11 port that is pre-wired to provide a closed loop connection for the interlock. Removal of the RJ-11 connector, or break in the closed loop circuit provided, will result in a laser interrupt and the system will be reset to standby mode. See *section XIa. Performance Features, Item 1: Remote Interlock* for more details.
5. Ensure that the Emergency Shut-off Switch (EMO) is in the “ready” position by turning the button clockwise until it pops out slightly.

6. You are now ready to turn on the laser module. Start by turning the master power key switch 90 degrees clockwise from the “0”/Off (vertical) position to the “I”/On (horizontal). The “Power” LED on the front panel will turn green indicating that system power is on.

**\*\*\*A 5 SECOND WAIT TIME IS REQUIRED BEFORE THE LASER CAN BE TURNED ON. THIS IS FOR THE CONTROL BOARD INITIALIZATION\*\*\***

7. Press the “Laser ON” button on the front panel. The “Laser ON” LED will turn red LED indicating that the laser is operational, and the laser will turn on ~2 seconds after the button is pressed.

*Note: The “Laser ON” button is a momentary contact. Users should allow the button to return to its natural center position after pressing. This button will also function as a manual reset. In the event of a power interruption, failure, or interlock break, the laser will be automatically disabled. To re-enable, simply toggle the laser enable to the on position once again.*

8. Turn the Drive Current Adjustment Dial to adjust to the desired drive current setting as read out on the front panel display window.

#### **Vla. Laser Start-Up (External Control via USB)**

The Digital L-Type can be controlled by interfacing with a computer via the included USB cable and USB I/O port located on the rear panel of the module. For information on laser control via USB, please see Appendix A located at the end of this document.

The following steps should be taken if the user wishes to control the laser output power via the integrated USB I/O:

**Caution—use of controls or adjustments, or performance of procedures other than those specified herein may result in hazardous radiation exposure.**

1. Ensure that the laser is not operating by assuring that the red “Laser ON” LED on the front panel is not illuminated. If it is, press the “Laser ON” button to turn off.
2. Connect the provided USB cable to the laser in the USB port labeled “PC” and to a computer. **NOTE: the lower USB Type A port labeled “Spectrometer” may be used as a pass-through from the computer to a spectrometer or other USB enabled peripheral device to conveniently manage USB cables.**
3. Turn on the laser by momentarily pressing the “Laser ON” button on the front panel, and ensuring the “Laser ON” LED is now illuminated red. The laser will now accept control input from either the front panel interface or the USB computer control interface.

#### **Vlb. Laser Start-Up (External Power Control via Analog BNC)**

The Digital L-Type is designed for operation by interfacing with front panel controls and/or the USB connection, however users may wish to manually modulate or adjust the output power of the laser in some circumstances. The following steps should be taken to control the laser output power via a

signal generator or computer:

**Caution—use of controls or adjustments, or performance of procedures other than those specified herein may result in hazardous radiation exposure.**

1. Ensure that the laser is not operating by assuring that the red “Laser ON” LED on the front panel is not illuminated. If it is, press the “Laser ON” button to turn off.
2. Put the Mode Selection switch located on the back panel to the “External” (right-most) position. The amber “Operating Mode” LED on the front panel should illuminate next to “External”.
3. Connect a BNC cable to the port labeled “Control” on the back panel. The user may apply a DC bias between 0 and 1.0 V to modulate the laser or to adjust the laser’s output power. Zero (0) V corresponds to 0 power, 1.0 V corresponds to full power. See section IX. *Product Specifications* for modulation rate information.
4. Turn on the laser by momentarily pressing the “Laser ON” button on the front panel. The laser will now output a variable amount of output power that is dependent upon the DC bias voltage that has been applied to the Control port on the back panel.

## VIII. Laser Shut Down

The following steps should be followed when shutting down the Digital L-Type Spectrum Stabilized Laser Module.

1. Press the “Laser ON” button on the front panel and ensure that the red “Laser ON” LED is not illuminated.
2. Turn the Master Power Key Switch on the back panel counter clockwise from “1”/On (horizontal) position to the “0”/Off (vertical) position.
3. Disconnect the fiber patch cord, USB, and power cables as needed.

## **Maintenance & Cleaning**

### **Fuse replacement:**

The Digital L-Type has two (2) 250V, 1A fast blow fuses located in a removable panel immediately above the AC power socket. Replacement fuses must be rated at 250V, 1A, fast blow and must be 5mm x 20mm. To remove the fuse panel, pinch panel retention clips on each side and gently pull. The fuses will be seated in sockets within the removed panel and can be gently lifted out. Once fuses have been checked or replaced, slide the fuse panel back in place until the panel is firmly seated; An audible click will indicate when the fuse panel is properly seated.

### **Cleaning:**

Clean the L-Type module with a soft cloth dampened with water as needed. Abrasives, chemical solvents, and cleaning agents should not be used to clean laser module.

Other than the two (2) electrical fuses detailed above, the IPS Digital L-Type Spectrum Stabilized Laser Module does not have any user serviceable components and does not require any periodic maintenance.

## **IX. Warranty**

The IPS Digital L-Type is warranted against defects in materials and workmanship for a period of one (1) year from date of shipment. During the warranty period, IPS will, at its option, either repair or replace products which prove to be defective.

The unit does not contain any user serviceable components and does not require any preventative maintenance operations during the device lifetime. Opening, modifying, or servicing of this unit is expressly prohibited and will result in nullification of product warranty. All necessary service and repair will be made at the IPS facility upon request of a Return Material Authorization (RMA) and return of the unit.

This warranty is in lieu of all other guarantees expressed or implied and does not cover incidental or consequential loss or improper operation/handling by operator.

## **X. Performance Features & Laser Safety and Compliance Labels**

The IPS Digital L-Type conforms to all FDA performance standards for laser products except for deviations pursuant to Laser Notice No. 50, dated June 24, 2007.

### **XIa. Performance Features:**

1. **Remote Interlock:** The Digital L-Type is equipped with a remote interlock feature that may be utilized by the operator to shut down the laser in the event that a door or enclosure is opened. The interlock is located on the back panel and utilizes an RJ-11 plug. The remote interlock is normally open circuit, so the RJ-11 connector provided by IPS or a user configured closed loop interconnect is REQUIRED to be in place for proper function of the laser module. Users may decide to enable a remote interlock mechanism when integrating into a laboratory or system. To enable the remote interlock, the user must obtain an RJ-11 plug (or modify the plug provided)

and create a closed circuit between the 2 signal terminals of the plug. Then insert the closed-circuit RJ-11 plug into the interlock port. The laser will function normally when it senses a closed circuit, however it will disable laser output when an open circuit is detected. To re-enable laser function after a shutdown event, the user must ensure that the interlock is closed circuit and manually reset the unit by pressing the “Laser ON” button on the front panel, at which point the LED should turn red, indicating the laser is on.

2. Manual laser reset mechanism: The Digital L-Type is equipped with a manual laser reset. In the event of a power interruption, power failure, or interlock breach, the laser will default to a laser off position. To re-enable the laser, the user must toggle the “Laser ON” button on the front panel, at which point the LED should turn red, indicating the laser is on.

### **XIb. Laser Safety and Compliance Labels:**

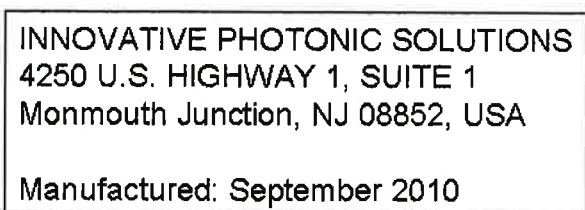
1. Laser Warning and aperture label is located on the front panel of the module, immediately adjacent to the FC/PC bulkhead connector.
  - o Identifies location of output beam



2. Class 3B laser explanatory label is located on the top of the module in the front left-hand corner. The label details:
  - o Laser exposure warnings
  - o Laser wavelength and maximum output power levels
  - o Laser classification



3. Manufacturer's ID label is located on the left-hand panel (when viewing from the front of the laser module) of the module. The label details:
  - o Manufacturer's address & the date of manufacture of item



4. Certification statement label is located on the top center of the rear panel rear panel on the laser module, above the master power key switch. The label details:

- Compliance with FDA performance standards

Complies with FDA performance standards for laser products except  
For deviations pursuant to Laser Notice No. 50, dated June 24, 2007

5. Labeling indicating model #, and Serial # of the unit is located on the back panel above the BNC modulation input connector.



- 1 Laser Warning and Aperture Label
- 2 Laser Explanatory Label



- 3 Manufacturer's ID Label
- 4 Laser FDA Compliance Label
- 5 Module Model # and S/N





## **XII. Technical Support Contact Information**

Questions regarding the use or operation of this product may be directed to:

Innovative Photonic Solutions  
Attn: Sales  
4250 U.S. Highway 1, Suite 1  
Monmouth Junction, NJ 08852  
Phone: (732) 355-9300  
Fax: (732) 355-9302  
sales@IPSLasers.com

## Appendix A

Connect the USB cable provided from the digital L-type module USB A connector to the host system.

1. Ensure the digital L-type module is recognized by the host system by opening the Windows® Device Manager. If using an alternate Operating System, please contact IPS for additional details on verifying device recognition.

Locate “Ports (COM & LPT)” in the Device Manager. Ensure “USB Serial Device (COMX)” is present.

If “Ports (COM & LPT)” does not appear, it’s possible it is hidden (select the “View” drop down and “Show hidden devices”). If “Ports (COM & LPT)” still does not appear, please visit the Microsoft® answers page to view steps to enable legacy hardware.

The M-type module uses a serial interface, with COM port settings of 115200 baud and 8N1 configuration.

**Image 1.0: Digital L-Type module recognized by Microsoft® Device Manager**



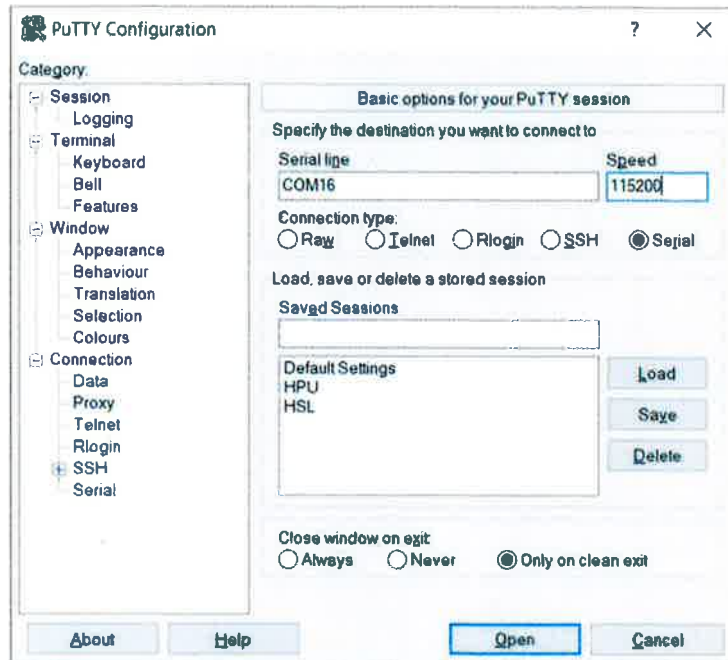
2. Test the L-Type module functionality

Use a serial port monitor program to test the device functionality.

The open source program "PuTTY" (<https://www.putty.org/>) can be used to test the device manually.

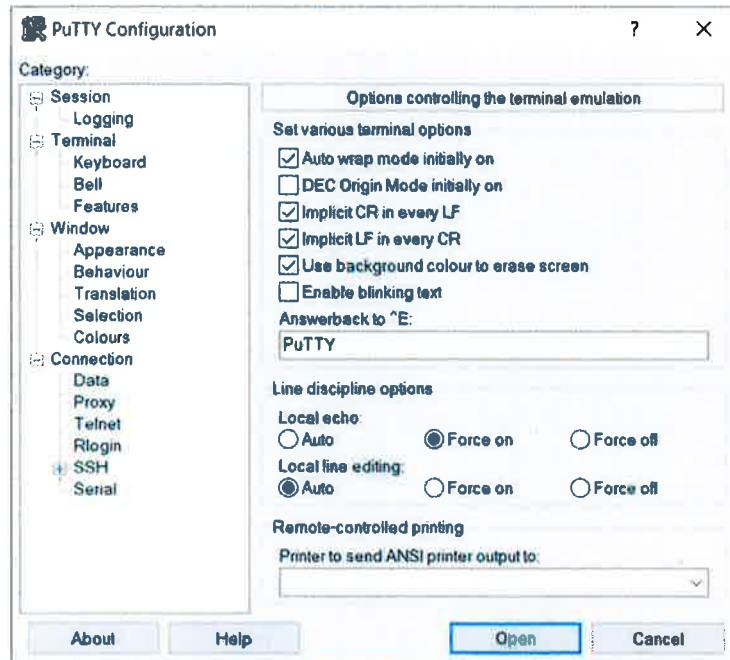
3. Before starting the session, configure the "Session" via the "Session" menu and setting the following:
  - i. Verify the correct COM port is populated in the "Serial line" input box
  - ii. Manually set "Speed" to 115200
  - iii. "Connection type" should be set to "Serial"

**Image 2.1: "PuTTY" Session Configuration**



4. Configure the "Terminal" by accessing the "Terminal" menu and enabling:
  - i. "Implicit CR in every LF"
  - ii. "Implicit LF in every CR"
  - iii. "Local echo:" Force On

Image 2.2: "PuTTY" Terminal Configuration



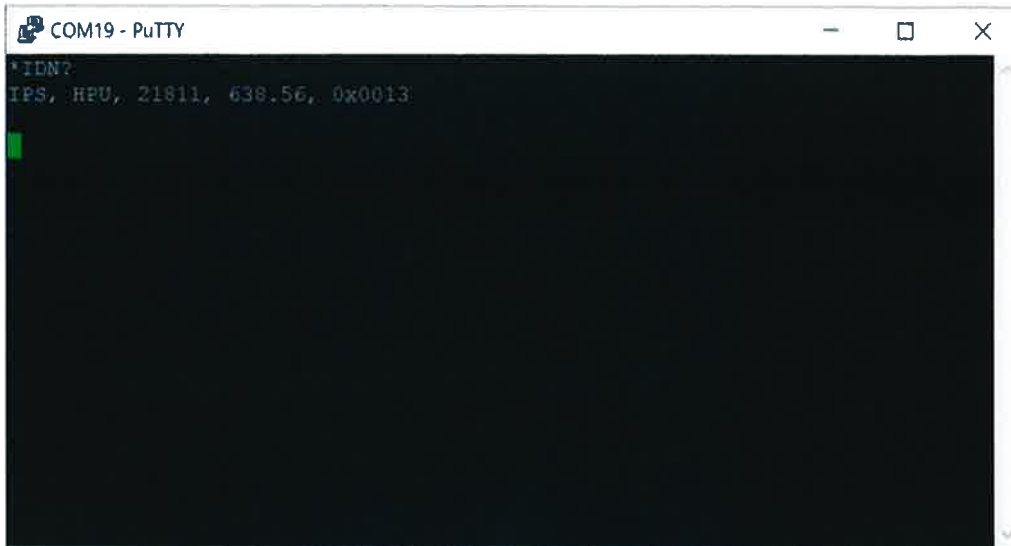
5. Ensure the device is correctly connected to the host system

**\*Any text command needs to be entered within 10 seconds or the device will time out. This is a function of IPS' firmware and is independent of terminal.**

Send the command "\*IDN?"

The device should respond with "IPS, HPU, laser serial number, laser wavelength, firmware version". This confirms the device is correctly connected to the host system.

**Image 2.3: "\*IDN?" Command Line Example**



```
COM19 - PuTTY
*IDN?
IPS, HPU, 21811, 638.56, 0x0013
```

## Command Reference

### Command Syntax

This section describes command syntax and structure. This information must be understood in order to effectively write a control program. The syntax of commands follows the rules defined in the Standard Commands for Programmable Instruments (SCPI v1999.0). This standard is based on the IEEE 488.2 standard.

### Letters

Commands are not case sensitive

### Acceptable Command Spelling

Full Name	Abbreviated
TEC:Setpoint	TEC:SET
Laser:Enable	LASER:EN

### White Space

“White space” can be any number of space characters (space bar). A white space **must** separate a command from its input parameters or data. For example:

Acceptable	Acceptable	Not Acceptable
Laser:Enable 1	LASER:EN 1	LASER:EN1

A query has no space between the mnemonic and the question mark. For example:

Acceptable	Not Acceptable
*IDN?	*IDN ?

### Terminators

A program message terminator identifies the end of a command string. Valid terminator sequences are <LF> (linefeed), <CR> (carriage return) and <CR><LF > (carriage return / line feed). The digital M-type terminates its responses with <CR><LF>.

## Command Separators

More than one command may be placed in the same command string if each command is separated by a semicolon (;). The semicolon can be preceded by one or more spaces. For example:

```
OUTPUT ON;*IDN?;SYSTEM:ERROR? OUTPUT ON ; *IDN?;
```

```
SYST:ERROR?
```

The digital M-type will respond to multiple queries within the same command string by separating each response with a command separator.

## Parameters

Some commands require an input parameter. The parameter must be separated from the command by white space.

The syntax symbol <numeric\_value> refers to the flexible numeric representation described by section 7.7.2.1 of IEEE 488.2. Some numbers may be represented with or without a decimal point and with or without exponent. White space is not accepted on either side of the decimal or after the sign character, but is acceptable on either side of the “e/E” exponent character. For example, the number “twenty” may be represented by any of the following ASCII strings:

NR1	Integer	20	+20
NR2	Floating Point	20.0	+20.0
NR3	Scientific Notation	2 E 1	+2.0E+1
		2.0e+1	+2.0 e1

Refer to the command reference section to determine what forms of parameters a command accepts.

## Command Reference Summary

\*Any text command needs to be entered within 10 seconds or the device will time out. This is a function of IPS' firmware and is independent of terminal.

**Table 2.0 Command Reference Summary**

Command	Command Abbreviation	Function
*IDN?		Reports the device identification string. Will read back: IPS, HPU, laser serial number, factory measured wavelength, FW revision
Board:Current?	BOARD:CUR?	Reports the measured current draw in mA
Board:Temperature?	BOARD:TEMP?	Reports the module case temperature in °C
Calibrate:Number <num_entries> <save state>	CAL:NUM <num entries><save state>	Sets number of desired entries in the calibration Look Up Table (LUT). <i>Save state permanently (1) or until power cycle (0)</i>
Calibrate:Number?	CAL:NUM?	Reports number of entries in the LUT
Calibrate:Monitor <num> <value> <save state>	CAL:MON <num><value><save state>	Sets PD monitor value in LUT <i>Save state permanently "1" or until power cycle "0"</i>
Calibrate:Monitor? <num>	CAL:MON? <num>	Reports the PD monitor value in the requested <num> LUT entry
Calibrate:Power <num> <value> <save state>	CAL:POW <num><value><save state>	Sets LUT power value in mW <i>Save state permanently "1" or until power cycle "0"</i>
Calibrate:Power? <num>	CAL:POW? <num>	Reports the laser power value in the requested <num> LUT entry
ERRor?	ERR?	Queries the errors in the hardware error queue. This differs from Communication Error Codes
Laser:Current <current>	LASER:CUR <current>	Sets laser operating current setpoint in mA



Command	Command Abbreviation	Function
Laser:Current?	LASER:CUR?	Reports measured laser operating current in mA
Laser:Setpoint?	LASER:SET?	Reports the laser operating current setpoint in mA
Laser:Enable <enable state>	LASER:EN <enable state>	Enables/Disables laser operation <i>Laser can be turned on with "1" or "ON"; laser can be turned off with "0" or "OFF"</i>
Laser:Enable?	LASER:EN?	Reports laser enable state
Laser:Hours?	LASER:HOUR?	Reports the number of hours of ON time of the laser
Laser:Mode:Analog <enable state>	LASER:MOD:AN <enable state>	Enables/Disables external (hardware) VBIAS input <i>Laser default is "0", off state. Input "1" to enable</i>
Laser:Mode:Analog?	LASER:MOD:AN?	Reports the external VBIAS enable state <i>Return value = 0,1</i>
Laser:Mode:Digital <value>	LASER:MOD:DIG <value>	Enables/Disables digital (PWM) mode <i>Laser default is "0", off state. Input "1" to enable</i>
Laser:Mode:Digital?	LASER:MOD:DIG?	Reports digital mode (PWM) enable status <i>Return value = 0,1</i>
Laser:Mode:PWM <duty cycle>	LASER:MOD:PWM <duty cycle>	Sets PWM percent (0 – 100) for digital mode
Laser:Mode:PWM?	LASER:MOD:PWM?	Reports PWM duty cycle setting in percent
Laser:Monitor?	LASER:MON?	Reports the measured photodiode signal in mV

<b>Command</b>	<b>Command Abbreviation</b>	<b>Function</b>
Laser:Power?	LASER:POW?	Reports the laser power (based on calibration table data/LUT) in mW
Laser:Temperature?	LASER:TEMP?	Reports the measured laser/TEC temperature (°C)
Parameters:Restore	PARAM:RESTORE	Restores factory default power-up settings
Parameters:Save	PARAM:SAVE	Saves the current settings as power-up defaults
Status?	STAT?	Reports the Board State and number of errors in the hardware error queue
System:Error:Count?	SYST:ERR:COUN?	Reports the number of errors in the communication error queue
SYSTem:ERRor[:NEXT]?	SYSTem:ERRor[:NEXT]?	Queries the errors in the communication error queue.
TEC:Setpoint <temperature>	TEC:SET <temperature>	Sets the TEC temperature setpoint (°C). It is recommended NOT to set above 35°C.
TEC:Setpoint?	TEC:SET?	Reports TEC temperature setpoint (°C)

## Command Reference (Detailed)

The following pages contain a reference for commands for the digital M-type laser controller. See Table 2.0 above for command abbreviations.

### \*IDN?

#### Instrument Identification

Description	Requests the instrument to identify itself	
Parameters	None	
Notes	Returns a string of instrument identification information. The string contains a comma separated list of manufacturer, "HPU" designator, serial number, laser wavelength, and firmware revision	
Examples	"*IDN?"	Responds with "IPS, HPU, 1234, 785.8, 0x8100"

---

### Board:Current?

Description	Reports the measured current draw in mA	
Parameters	None	
Examples	BOARD:CUR? Response: 300, indicating a 300mA input supply current	

---

### Board:Temperature?

Description	Reports the module case temperature in °C	
Parameters	None	
Examples	BOARD:TEMP? Response: "30.00" indicating a 30.00°C temperature	

---

**Calibrate:Number <num\_entries><save state>**

**Calibrate:Number?**

Description	Sets number of desired entries in the calibration Look Up Table (LUT) Reports number of entries in the LUT
Parameters	Valid values for <num_entries> are integers from 2 to 9  Valid values for <save state> are: 1 = store permanently, and 0 = use until next power cycle  If no value entered for <save state> default is to 0
Examples	CAL:NUM 3 0 – Sets the Number of LUT entries to 3, use until next power cycle  CAL:NUM 3 1 - Sets the Number of LUT entries to 3, Permanently stores Look-Up-Table Entries  CALIBRATE:NUMBER? - Response “2”, indicating 2 LUT entries currently

---

**Calibrate:Monitor<num><value><savestate>**

**Calibrate:Monitor? <num>**

Description	Sets photodiode (PD) monitor value in LUT in mV Reports the PD monitor value in the requested <num> LUT entry in mV
Parameters	<num> - the entry number in the LUT. Valid values for <num> are integers from 1 to 9  <value> – the value in the LUT. Valid values for <value> are integers from 0 to 3000  Valid values for <save state> are: 1 = store permanently, and 0 = use until next power cycle  If no value entered for <save state> default is to 0
Examples	CAL:MON 1 100 1 – Sets PD LUT entry 1 permanently to 100mV  CAL:MON? 2 - Response “300”, indicating Photodiode LUT entry 2 is currently 300mV

---

**Calibrate:Power<num><value><savestate>**

**Calibrate:Power? <num>**

Description	Sets LUT power value in mW Reports the laser power value in the requested <num> LUT entry in mW
Parameters	Valid values for <num> – the entry number in the LUT - are: integers from 1 to 9  Valid values <value> – the value into the LUT – are numbers from: 0 to 6553.5  Valid values for <save state> are: 1 = store permanently, and 0 = use until next power cycle
Examples	CAL:POW 1,100,1 – Set Laser Power LUT entry 1 permanently to 100mW  CAL:POW? 2 - Response "300.4", indicating Laser Power LUT entry 2 is currently 300.4mW

---

**Error?**

Description	Returns the hardware error number, a sub-code, and a brief description
Parameters	None
Response	ASCII character string containing an error number and a brief description
Notes	If more than one error has occurred, repeated error queries are required until the response is "0, No error". See below for a list of error numbers.
Examples	ERR?- Response "0, 0, No error" means no errors to report.  Error? - Response "3097, 0, Failed initial POST" means the initial power-on self-test failed at location "0".

---

## **Laser:Current <current>**

### **Laser:Current?**

**Description**      Sets laser operating current setpoint in mA  
                             Reports measured laser operating current in mA

**Notes**              The laser current for each laser module is internally limited for safety of the laser. Inputting values above the internal limit will result in a failed response and will not change the laser current setpoint. It is recommended to validate that the value entered is saved by following the input with a LASER:SET? Query.

**Parameters**        <current> is the laser operating current in mA

**Examples**            LASER:CUR 200.0 – Sets the operating current for the laser to 200mA.

LASER:CURrent? - Response "250.0", indicating a 250mA current flowing through the laser

---

### **Laser:Setpoint?**

**Description**        Reports the laser operating current setpoint in mA

**Parameters**        None

**Examples**            LASER:SET? - Response "250.0", indicating a 250mA is the laser operating current setpoint

---

### **Laser:Enable <enable>**

#### **Laser:Enable?**

Description	Controls whether the laser is enabled or disabled Reports laser enable state
Parameters	Valid values for <enable> are:  1/ON = Enables the Laser  0/OFF = Disables the laser
Notes	The actual ON/OFF state of the laser is determined by a combination of hardware and software. If the Laser is disabled through this command it will be OFF. When it is enabled its ON/OFF state will depend on the hardware enable state (If hardware enable is ON, then laser is ON. If hardware enable is OFF then laser is OFF).
Examples	LASER:EN 0 – Disables the laser  LASER:ENable? - Response “1”, Laser is enabled

---

### **Laser:Hours?**

Description	Reports the number of hours of ON time of the laser
Parameters	None
Return	A floating point number in hours
Examples	LASER:HOUR? – Response “100.34”, meaning laser has been on 100.34 hours  LASER:ENable? - Response “1”, Laser is enabled

---

### **Laser:Mode:Analog <enable>**

**Description** Enable/Disable VBIAS input from external hardware connection on pin 8 of module. This function allows the user to adjust the output power of the laser via an external voltage bias.

**Parameters** Valid values for <enable> are:

1/ON = Enables VBIAS input to control the laser current

0/OFF = Disables external VBIAS input

**Examples** LASER:MOD:AN 1 – enables external VBIAS input

---

### **Laser:Mode:Analog?**

**Description** Reports the external VBIAS enable state

**Parameters** A return of 0 = Factory Default setting (VBIAS is disabled)

A return of 1 = External VBIAS is enabled

**Examples** LASER:MOD:AN? – Response “1” reports the VBIAS control setting of the laser is enabled

---

### **Laser:Mode:Digital <enable>**

**Description** Enable/Disable digital Pulse Width Modulation (PWM) of the laser

**Parameters** <enable> values: 1 = Allows digital modulation of the laser current, ON = Allows digital modulation of the laser current

<enable> values: 0 = Do not allow digital modulation of the laser, OFF = Do not allow digital modulation of the laser

**Examples** LASER:MOD:DIG 1 – Enable digital modulation of the laser

---



### **Laser:Mode:Digital?**

Description	Reports digital mode (PWM) enable status
Parameters	None or 0 to report current laser mode digital (PWM) enable status 1 to report laser mode digital (PWM) factory default setting
Examples	LASER:MOD:DIG? – Response “0”, Laser PWM is not enabled LASER:MOD:DIG? 0 – Response “0”, Laser PWM is not enabled LASER:MOD:DIG? 1 – Report the factory default digital modulation setting of the laser

---

### **Laser:Mode:PWM <Duty Cycle>**

Description	Sets the PWM duty cycle for digital modulation
Parameters	Duty Cycle in Percent is this from 10.0% to 100%
Examples	LASER:MOD:PWM 30.3 – Set PWM duty cycle of the laser to 30.3%

---

### **Laser:Mode:PWM?**

Description	Reports the PWM duty cycle of laser current
Parameters	None or 0: Report current laser PWM setting 1: Report factory default PWM setting
Examples	LASER:MOD:PWM? – Response “45.3”, Reports the current digital modulation duty cycle setting of the laser as 45.3% LASER:MOD:PWM? 0 – Response “45.3”, Reports the current digital modulation duty cycle setting of the laser as 45.3% LASER:MOD:PWM? 1 – Reports the factory default digital modulation duty cycle setting of the laser

---

### **Laser:Monitor?**

Description	Reports the monitor photodiode (PD) signal level
Parameters	None
Examples	LASER:MON? – Response “3.13”, Reports the Monitor Photodiode Signal level is 3.13 mV

---

### **Laser:Power?**

Description	Reports the Laser Power in mW as derived from the calibration Look Up Table (LUT)
Parameters	None
Examples	LASER:POW? – Response “200.3”, Reports the laser power as 200.3 mW

---

### **Laser:Temperature?**

Description	Reports the Laser/TEC Temperature in °C
Parameters	None
Examples	LASER:TEMP? Response: “30.00” indicating a 30.00 °C operating temperature of the laser

---

### **Parameters:Restore**

Description	Restores the default power-up configuration to the IPS factory default. To save the default parameters, you must add a Parameters:Save command following the Parameters: Restore command
Parameters	None
Notes	The parameters restored are: TEC_Setpoint, Laser_Drive, Laser Enable Mode, Analog Mode Enable, Digital Mode Enable, and PWM Duty Cycle

---

## Parameters:Save

Description	Saves current parameter settings to FLASH for use as default power-up configuration (Note: At present, there is no IPS factory “as shipped” setting, so it is recommended that users document parameters before changing them so that they can be returned to the IPS default set state if desired.
Parameters	None
Notes	The parameters stored to FLASH are: TEC_Setpoint, Laser_Drive, Laser Enable Mode, Analog Mode Enable, Digital Mode Enable and PWM Duty Cycle

---

## Status?

Description	Requests the status of the digital M-type
Response	2 decimal numbers; the first number represents the board state:  0 = unknown state 1 = board passed POST 2 = board failed POST 3 = board in normal state 4 = board in fault state 5 = board in boot load state 6 = board not attached  The second number is the number of errors in the hardware error queue.  Use the “ERRor?” command to read the error code and information

---

**System:Error[:NEXT]?**

Description	Requests communication errors that may have occurred
Parameters	None
Response	ASCII character string containing an error number and a brief description
Notes	If more than one error has occurred, repeated error queries are required until the response is "0, No error".

**See below for a list of communication error numbers**

Examples	<p>SYST:ERR?- Response "0, No error" means no errors to report.</p> <p>System:Error? - Response "-109, Missing parameter": a parameter was missing from a command. See list of error numbers below</p>
----------	--

**TEC:SETpoint <temperature>**

**TEC:SETpoint? [0|1]**

Description	Sets or reports the setpoint target for the TEC temperature
Parameters	<p>Temperature – The set point temperature in °C degrees for the laserTEC. Acceptable values range from 10.0 to 45.0. Optimal setting is between 30 °C - 35°C for most system configurations.</p> <p>None or 0: Report current laser TEC temperature setting</p> <p>1: Report factory default TEC temperature setting</p>
Examples	<p>TEC:SET 30.0 – Set TEC setpoint temperature to 30°C</p> <p>TEC:SET? - Response "40", Current TEC setpoint is 40°C</p> <p>TEC:SET? 0 - Response "40", Current TEC setpoint is 40°C</p> <p>TEC:SET? 1 - Response "35.5", factory default temperature setpoint is 35.5C</p>

## **Error Codes**

### **HARDWARE ERROR CODES**

0 - NO\_ERROR  
3011 - HOUSEKEEPING  
3012 - FLASH\_INITIALIZATION\_FAILED  
3013 - FLASH\_HOUSEKEEPING\_FAILED  
3014 - LOW\_VOLTAGE\_EVENT  
3015 - BAD\_VOLTAGE\_3V3  
3016 - BAD\_VOLTAGE\_VIN  
3017 - BAD\_VOLTAGE\_VTEC  
3018 - HIGH\_INPUT\_CURRENT  
  
3019 - TEC\_UPDT\_ON\_BRD\_STATE\_BAD  
3020 - TEC\_UPDT\_ON\_TEMP\_LONG\_BAD  
3021 - TEC\_UPDT\_ON\_TEMP\_OUT\_SETPT  
3022 - TEC\_UPDT\_ON\_TEMP\_OUT\_RANGE  
3097 - FAILED\_INITIAL\_POST  
3098 - FLASH\_PARAMS\_REINITIALIZED  
3099 - UNIDENTIFIED\_ERROR

### **COMMUNICATION ERROR CODES**

-102 - Syntax error  
-103 - Invalid separator  
-108 - Parameter not allowed  
-109 - Missing parameter  
-113 - Undefined header  
-131 - Invalid suffix  
-138 - Suffix not allowed  
-200 - Execution error  
-224 - Illegal parameter value

All data and statements contained herein are subject to change in accordance with Innovative Photonic Solution's policy of continual product improvement. No information contained herein is intended for use in connection with any contract except as may be first confirmed in writing by Innovative Photonic Solutions. The publication of information in this document does not imply freedom from patent or other rights of Innovative Photonic Solutions or others.



IPS Laser Serial #: 29903

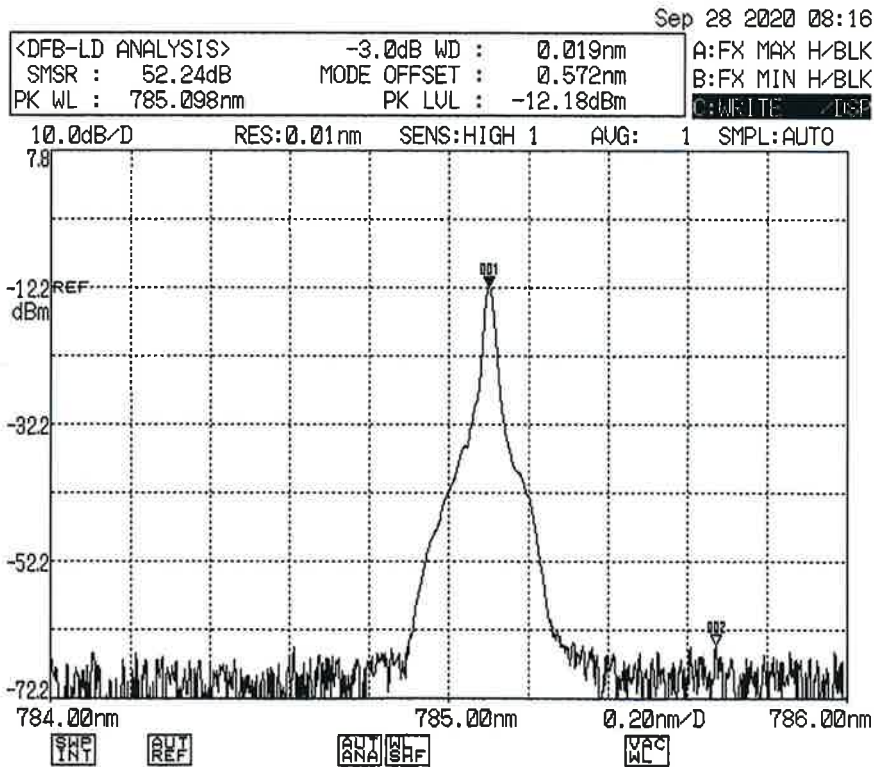
IPS Part Number: I0785SL0050PA-USB

Tested By: Danuta

Date: 9/28/2020



Module Test Data		
Description	Units	Test Value
Laser Wavelength (in vacuum)	nm	785.098
Spectral Linewidth FWHM	nm	0.02
SMSR Value	dB	52.21
Maximum Optical Output Power	mW	70



Power tested using appropriate fiber patch cord with connector and power meter