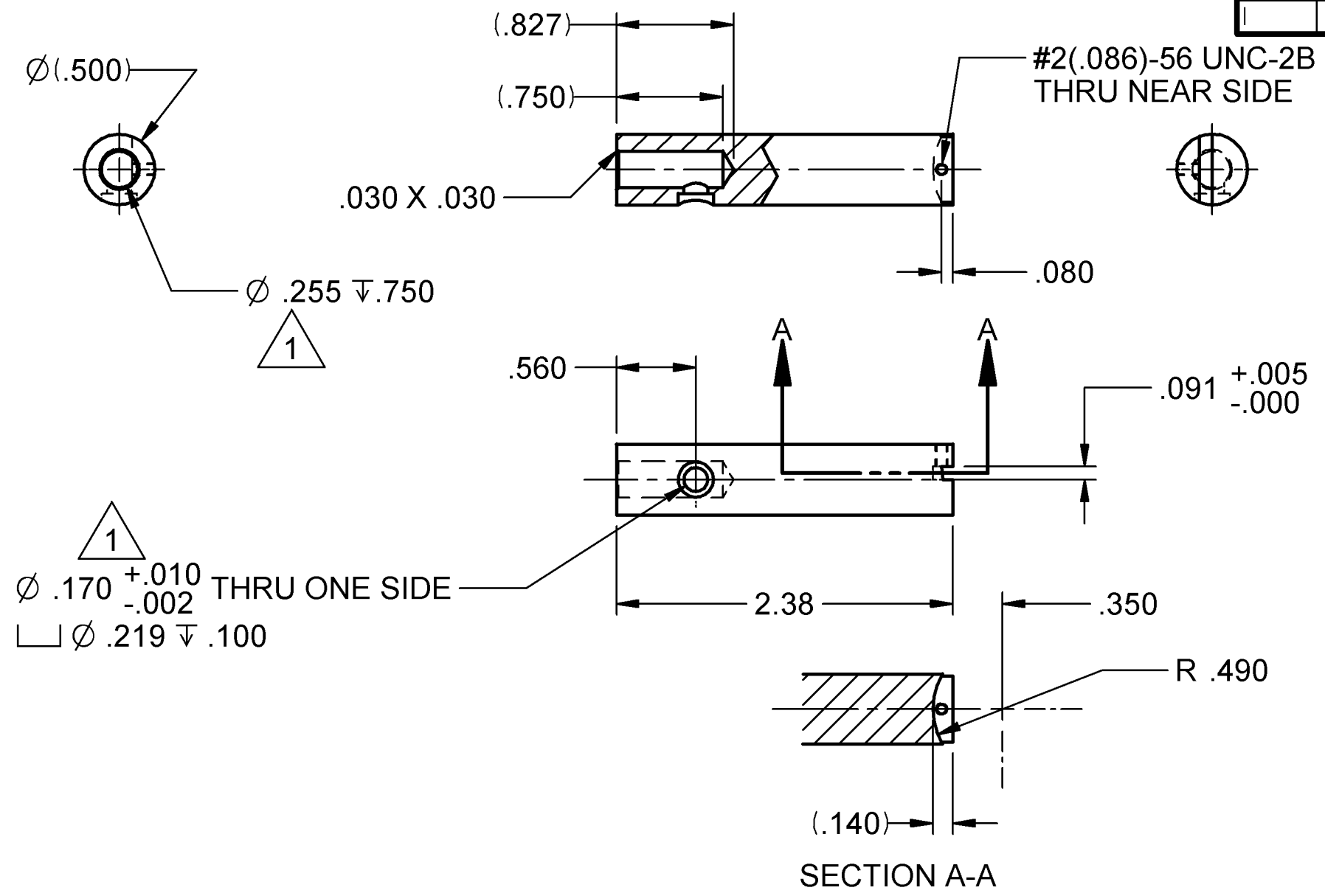


PROPRIETARY DATA OF STANFORD UNIVERSITY AND/OR U.S. DEPARTMENT OF ENERGY
 RECIPIENT SHALL NOT PUBLISH THE WITHIN INFORMATION WITHOUT SPECIFIC
 PERMISSION OF STANFORD UNIVERSITY

B
1
PF-257-403-02

REV	DESCRIPTION	DWN	CHK	RAP	PVD	DATE
1	DIM .170 WAS .136; .750 WAS .780; ADDED NEXT ASSY	MK	D	MH	MS	R



$\varnothing .170^{+.010}_{-.002}$ THRU ONE SIDE
 $\varnothing .219 \nabla .100$

	304 SST ROD, .500 DIA
STOCK NO	MATERIAL DESCRIPTION

ESTIMATED MASS
.118 lbm

---	SCALE: 1 : 1	DO NOT SCALE DRAWING	CAD FILE NAME: pf25740302-1.dft
---	DIMENSIONING AND TOLERANCING IS IN ACCORDANCE WITH ASME Y14.5M-1994.	STANFORD LINEAR ACCELERATOR CENTER U.S. DEPARTMENT OF ENERGY	FACET DIAGNOSTICS BUNCH LENGTH MONITOR (BLEN) ROD ADAPTER, OTR FOIL WSHR
---	UNLESS OTHERWISE SPECIFIED DIMENSIONS ARE IN INCHES. TOLERANCES: BREAK EDGES .005-.015 INTERNAL CORNERS R.015 MAX	STANFORD UNIVERSITY STANFORD, CALIFORNIA	
---	FRACTIONS ± --- DEC .XX ± .025 .XXX ± .005 .XXXX ± --- ANGLE ± ---	ENGR Dieter Walz DWN Ron Rogers 1-15-04 CHKR Mark Hogan APPROVALS Dieter Walz Mark Hogan	---
<div style="border: 1px solid black; padding: 2px; display: inline-block;">1</div>	SA-257-403-50		DRAWING NUMBER PF-257-403-02
NEXT ASSEMBLIES:			REVISION NUMBER 1