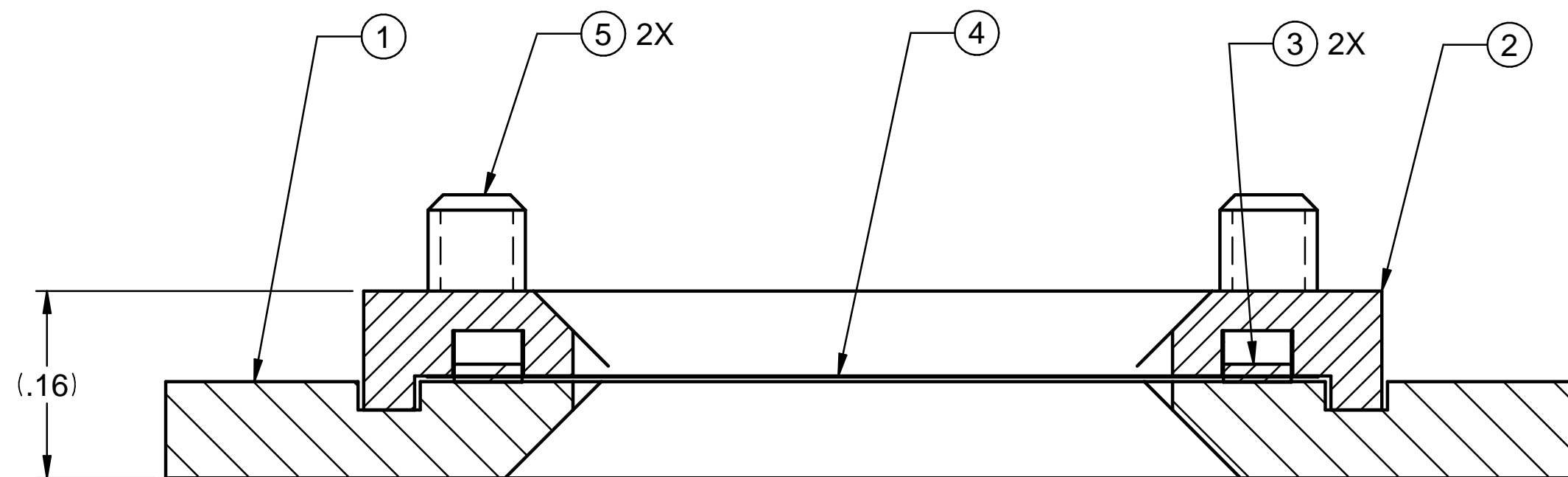
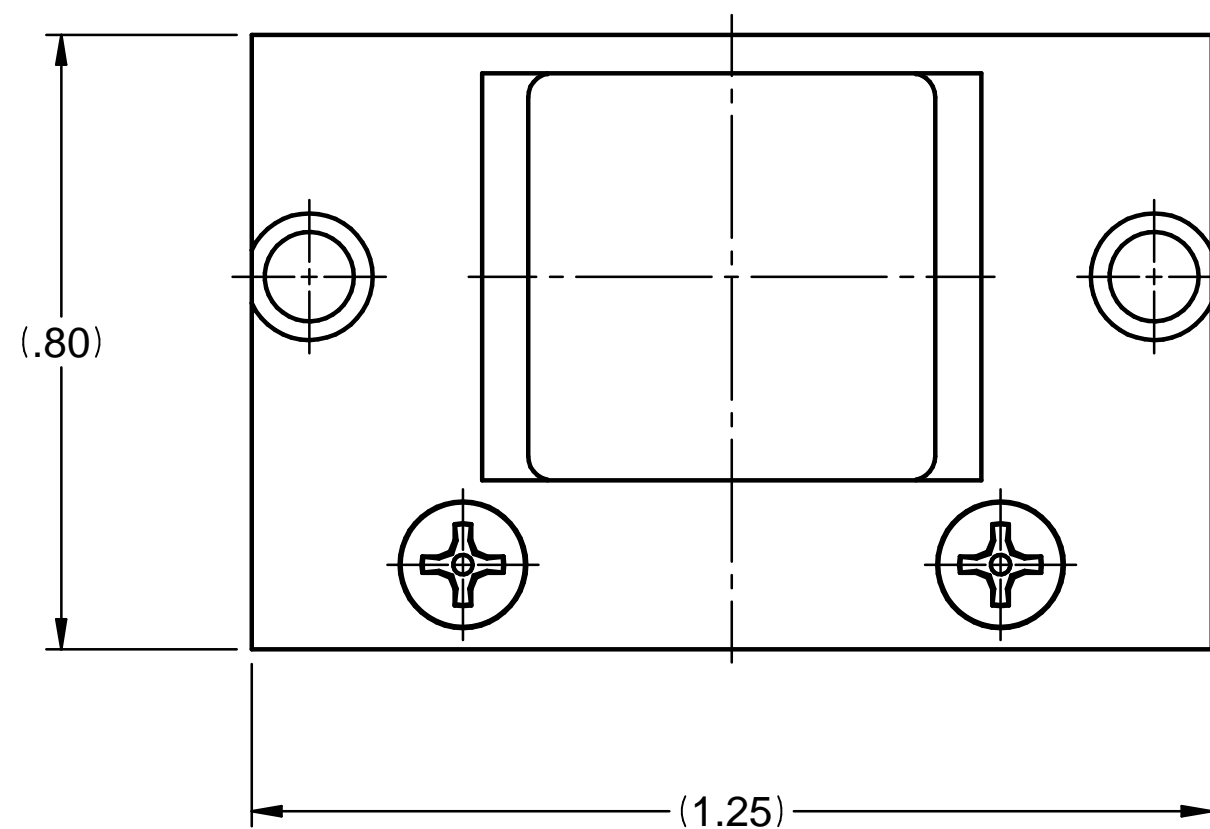


REV	DESCRIPTION	DWN	CHKR	APVD	DATE
01	PER ECR-Txxxxx	GB	GB	SG	5/3 2021



SCALE: 8:1



**ULTRA HIGH
VAC PART**
FABRICATE PER
FP-202-631-14

5	SL050103-21298	SCREW, MACH, PHILLIPS FLH, 2-56 X .25, 18-8 SST, SIL PLD, SLOT VENTED	2
4	REF-000063433	YAG CRYSTAL, 0.02 X 15 X 20 MM	1
3	PF-257-402-77	ARC SPRING	2
2	PF-257-402-99	BARE YAG RETAINER	1
1	PF-257-402-98	BARE YAG OTR MOUNT	1
ITEM	STOCK OR PART NO	TITLE OR DESCRIPTION	QTY

NOTES: UNLESS OTHERWISE SPECIFIED

1 BAG AND LABEL WITH PART NUMBER AND REVISION.

**ESTIMATED MASS
.028 lbm**

---	DIMENSIONING AND TOLERANCING IS IAW ASME Y14.5M-1994 AND Y14.41-2003	SCALE: 4:1 DO NOT SCALE DRAWING	CAD FILE NAME: sa25740265.dft
---	UNLESS OTHERWISE SPECIFIED DIMENSIONS ARE IN INCHES.	SLAC NATIONAL ACCELERATOR LABORATORY	FACET DIAGNOSTICS SYSTEMS OTR PLANAR FOIL MT ASSY 15 X 20 MM YAG MT ASSY
---	TOLERANCES: BREAK EDGES .005-.015 INTERNAL CORNERS R.015 MAX FRACTIONS ± --- DEC .XX± --- .XXX± --- .XXXX± --- ANGLE ± ---	U.S. DEPARTMENT OF ENERGY	
---	NEXT ASSEMBLIES:	THE DRAWINGS, SPECIFICATIONS AND OTHER DATA HEREIN PROVIDED SHALL NOT BE COPIED, PUBLISHED OR OTHERWISE FURTHER DISSEMINATED WITHOUT PRIOR WRITTEN PERMISSION OF STANFORD UNIVERSITY/SLAC	---
SA-257-402-83	ENGR <u>D. WALZ</u> DWN <u>G. BOUCHARD</u> 10-29-2013 CHKR <u>D. WALZ</u>	DATE 10-29-2013 APPROVALS D. WALZ C. IVERSON	DRAWING NUMBER SA-257-402-65
			REVISION NUMBER 01
			C

SA-257-402-65 01 C SH 1 OF 1