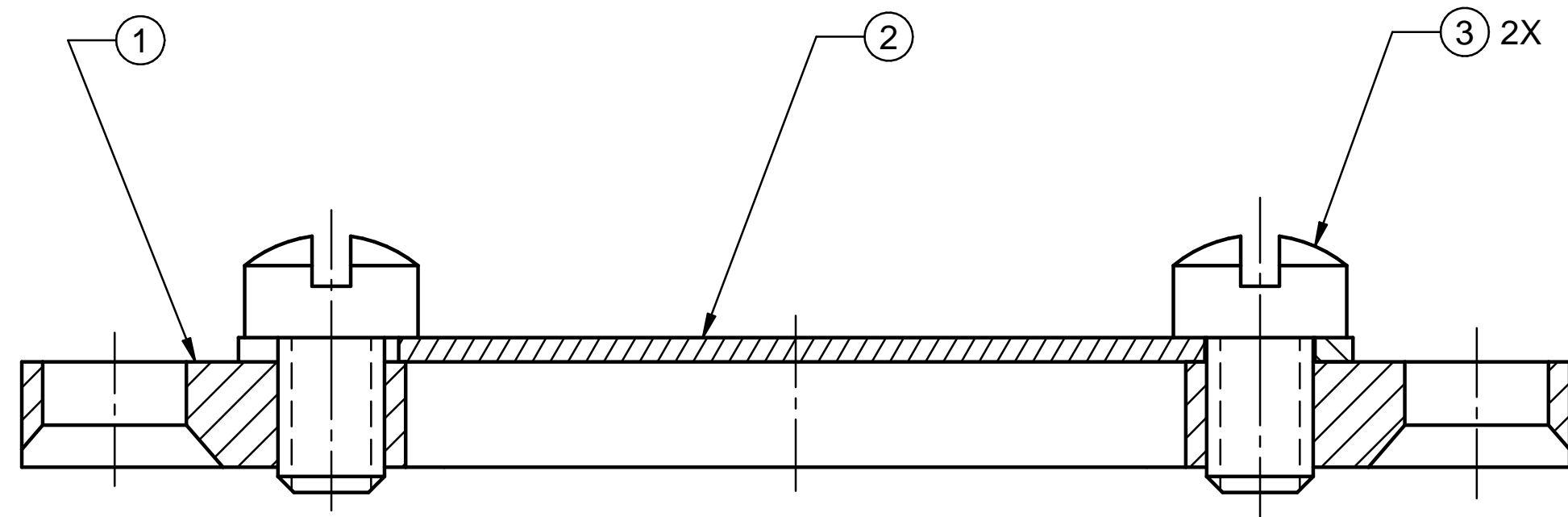
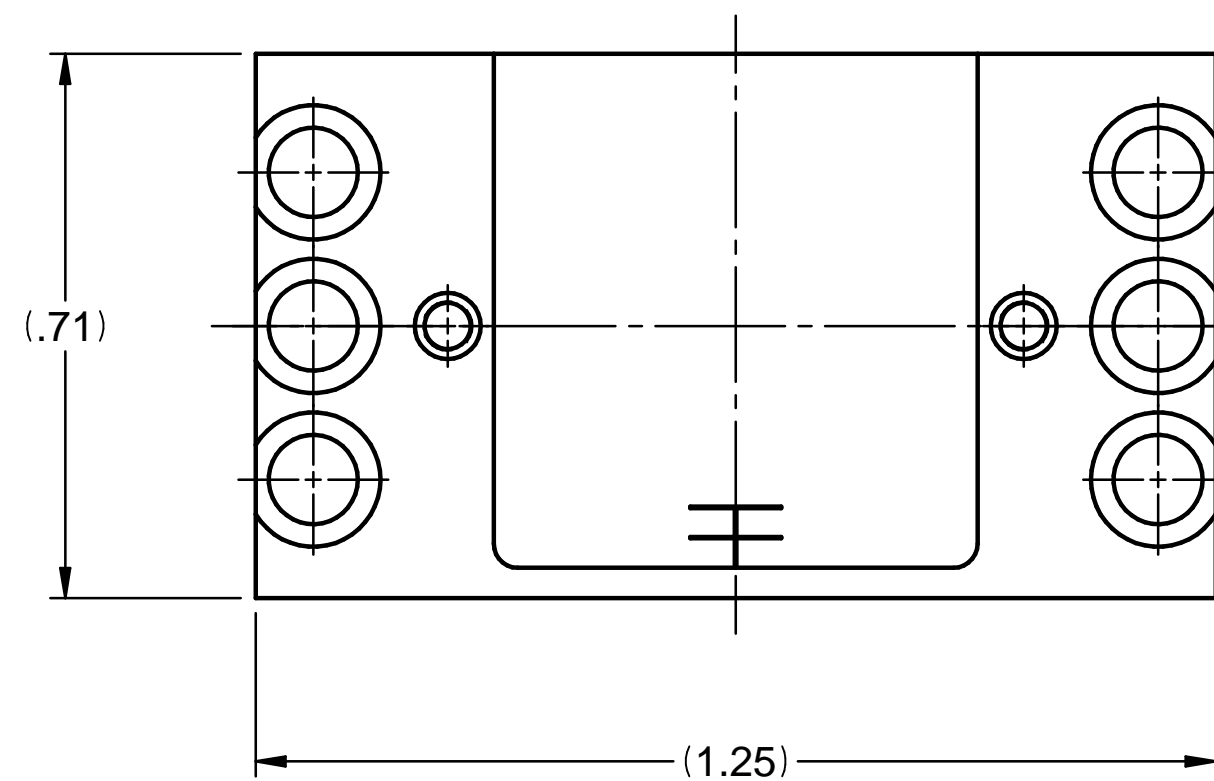


REV	DESCRIPTION	DWN	CHKR	APVD	DATE
1	REPLOTTED AFTER REVISION OF ITEM 1. (PER ECR-728)	GB	DW	DW	3-13 2014
02	PER ECR-Txxxx	GB	GB	SG	5/3 2021



SCALE: 8:1



**ULTRA HIGH
VAC PART**
FABRICATE PER
FP-202-631-14

NOTES: UNLESS OTHERWISE SPECIFIED

1 BAG AND LABEL WITH PART NUMBER AND REVISION.

ITEM	STOCK OR PART NO	TITLE OR DESCRIPTION	QTY
3	SL050103-21318	SCREW, SLOTTED FILLISTER HEAD, 2-56 X .125 LG, 18-8 SST, SLOT VENT, SIL PLD	2
2	PF-257-402-38	TI DISK, 18MM, SCREW MT	1
1	PF-257-402-45	DISK MOUNT, 18MM	1

**ESTIMATED MASS
.015 lbm**

---	DIMENSIONING AND TOLERANCING IS IAW ASME Y14.5M-1994 AND Y14.41-2003	SCALE: 4:1 DO NOT SCALE DRAWING	CAD FILE NAME: sa25740246.dft
---	UNLESS OTHERWISE SPECIFIED DIMENSIONS ARE IN INCHES.	SLAC NATIONAL ACCELERATOR LABORATORY	FACET DIAGNOSTICS SYSTEMS OTR PLANAR FOIL MT ASSY DISK MOUNT ASSY, 18MM
---	TOLERANCES: BREAK EDGES .005-.015 INTERNAL CORNERS R.015 MAX FRACTIONS ± --- DEC .XX± --- .XXX± --- .XXXX± --- ANGLE ± ---	U.S. DEPARTMENT OF ENERGY	
---	NEXT ASSEMBLIES:	THE DRAWINGS, SPECIFICATIONS AND OTHER DATA HEREIN PROVIDED SHALL NOT BE COPIED, PUBLISHED OR OTHERWISE FURTHER DISSEMINATED WITHOUT PRIOR WRITTEN PERMISSION OF STANFORD UNIVERSITY/SLAC	APPROVALS D. WALZ C. IVERSON
---	SA-257-402-48	ENGR D. WALZ DWN G. BOUCHARD 2-26-2014 CHKR D. WALZ	DRAWING NUMBER SA-257-402-46
---			REVISION NUMBER 02
---			C

SA-257-402-46 02 C SH 1 OF 1