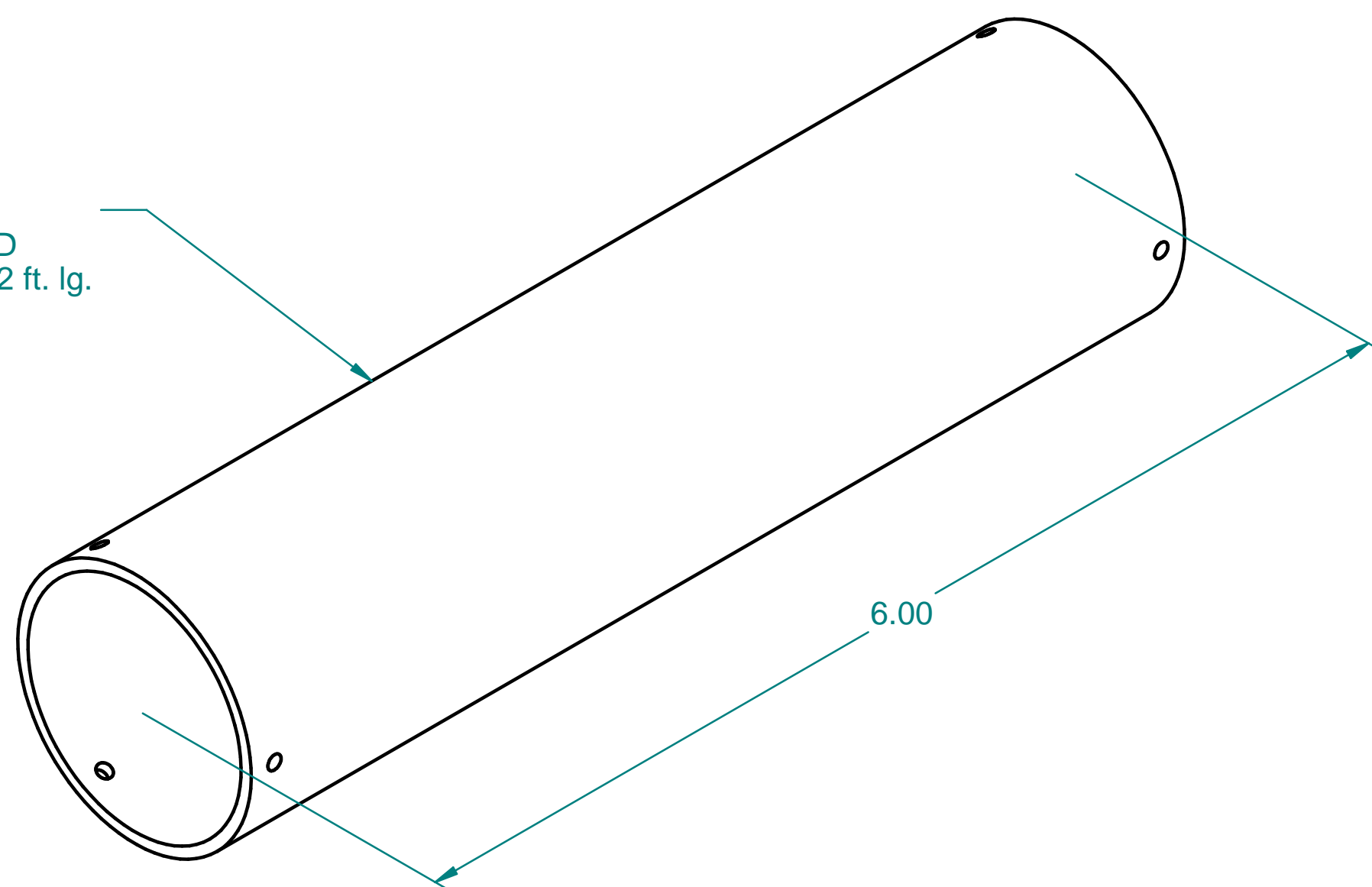
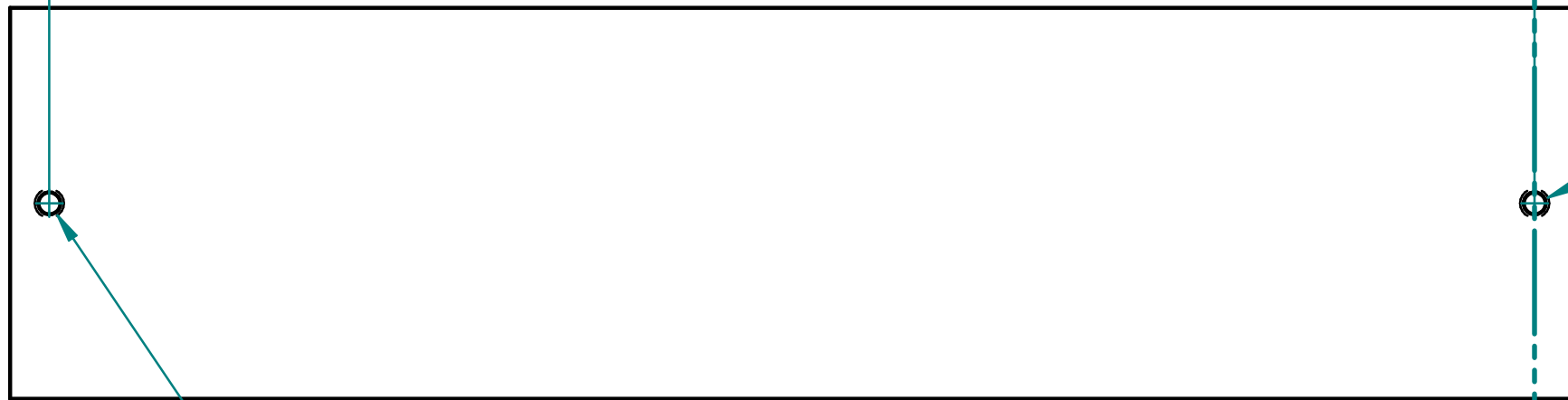


REV	DESCRIPTION	DWN	CHKR	APVD	DATE

6061 Aluminum Round Tube
 0.065" Wall Thickness, 1-1/2" OD
 McMaster-Carr P/N 9056K79, 1/2 ft. lg.



.150



3x #4-40 UNC THRU
 equally spaced every 120°
 .150 from tube end

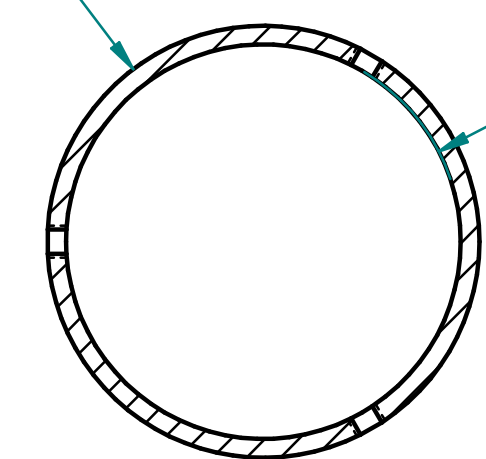
.150

A

A

3x #4-40 UNC THRU
 equally spaced every 120°
 .150 from tube end

Ø1.50



SECTION A-A

Ø1.37

MAT'L: 6061 Al NEXT ASSEMBLIES:	DIMENSIONING AND TOLERANCING IS IAW ASME Y14.5-2009	SCALE: DO NOT SCALE DRAWING	ESTIMATED MASS:	CAD FILE NAME: HV Shield Tube	
	UNLESS OTHERWISE SPECIFIED DIMENSIONS ARE IN INCHES. TOLERANCES: BREAK EDGES .005-.015 INTERNAL CORNERS R.015 MAX FRACTIONS ± DEC .XX±.015 .XXX±.005 .XXXX± ANGLE ± 1°			Lorax Soft X-ray Source High Voltage Shield Tube	
	THE DRAWINGS, SPECIFICATIONS AND OTHER DATA HEREIN PROVIDED SHALL NOT BE COPIED, PUBLISHED OR OTHERWISE FURTHER DISSEMINATED WITHOUT PRIOR WRITTEN PERMISSION OF STANFORD UNIVERSITY/SLAC	DATE _____ ENGR _____ DWN _____ CHKR _____	APPROVALS _____		
	DRAWING NUMBER	REVISION NUMBER 0	C	OF SH	