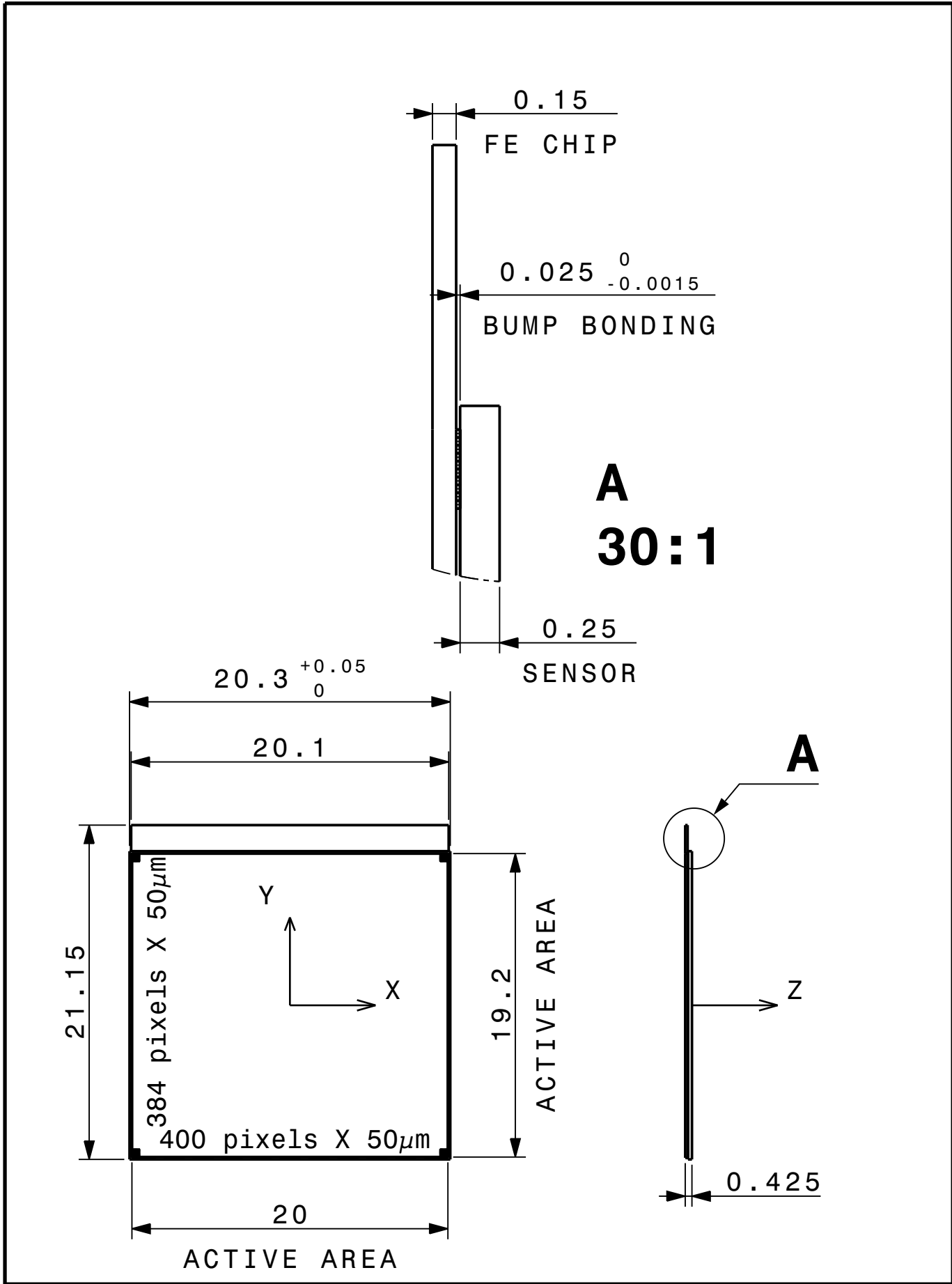
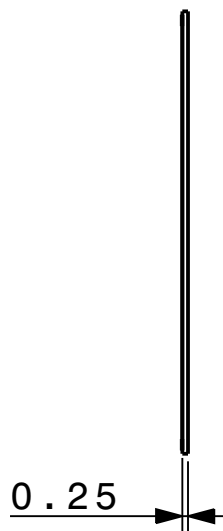
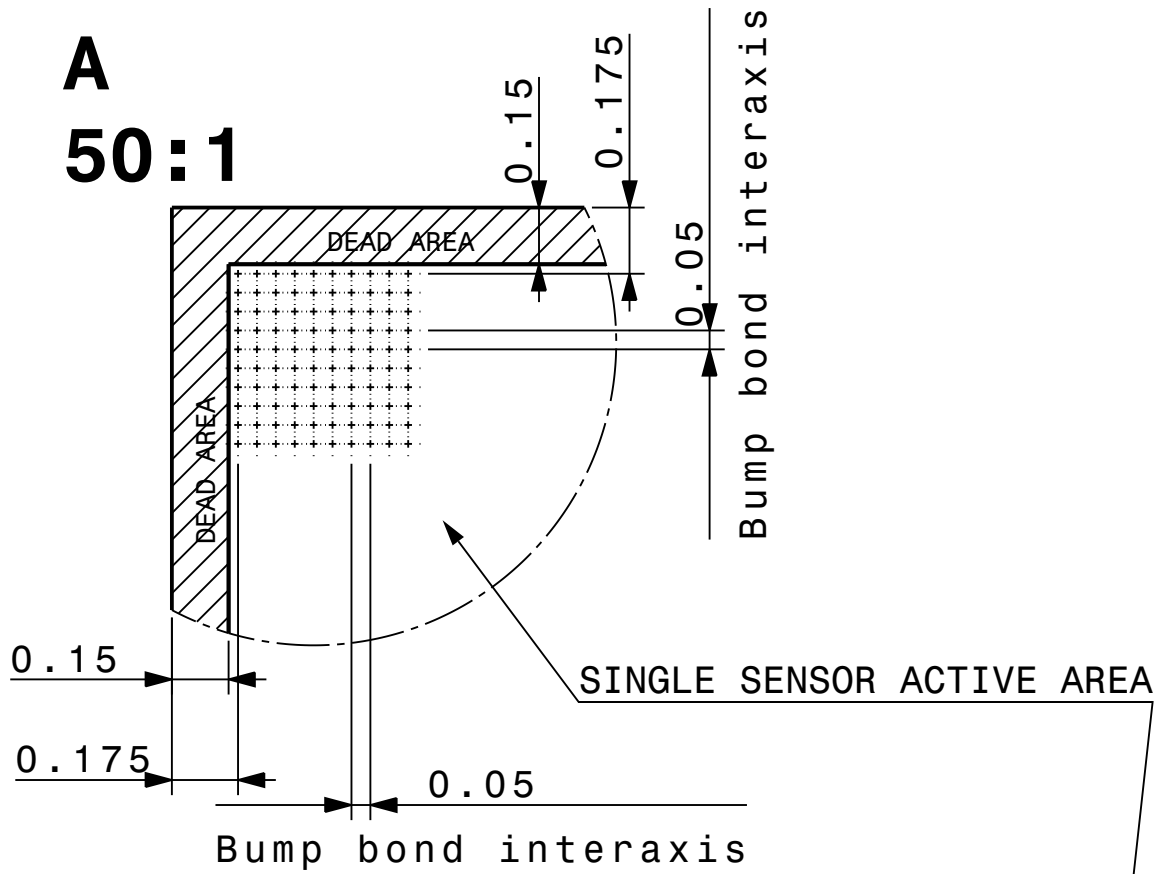


skin ne peut être utilisée à des fins commerciales sans autorisation écrite
drawing may not be used for commercial purposes without written authorisation

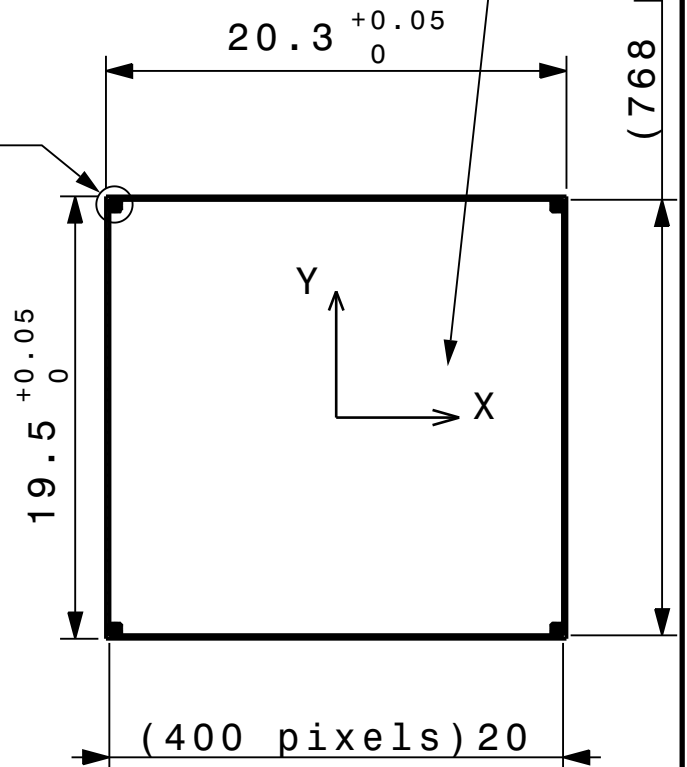


DESIGNATION ITk Pixel Bare Single Module 3D		DESIGNED	M. JANDA	FORMAT	A4
		CHECKED		SCALE	3:1
EQUIPMENT CODE		RELEASED			
		APPROVED			
DESIGNED 2019-03-13					
REFERENCES	Doc No: ST0967363_02	INDEX	LABEL	QAC	SHEET
			NOT VALID FOR EXECUTION		1/1

A
50:1



A



ORGANISATION EUROPEENNE POUR
LA RECHERCHE NUCLEAIRE
EUROPEAN ORGANIZATION FOR NUCLEAR RESEARCH
GENEVE

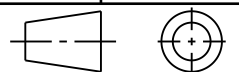
Ce dessin ne peut être utilisé à des fins commerciales sans autorisation écrite.
This drawing may not be used for commercial purposes without written authorisation.

DESIGNATION
ITk Pixel Single Sensor 250um

DESIGNED	M. JANDA	FORMAT A4
CHECKED		
RELEASED		SCALE 3:1
APPROVED		

EQUIPMENT CODE

DESIGNED
2019-03-13



REFERENCES

Doc No: ST0967362_02

INDEX

LABEL

NOT VALID FOR EXECUTION

QAC

SHEET

AT2-IP-EP-0009

1/1