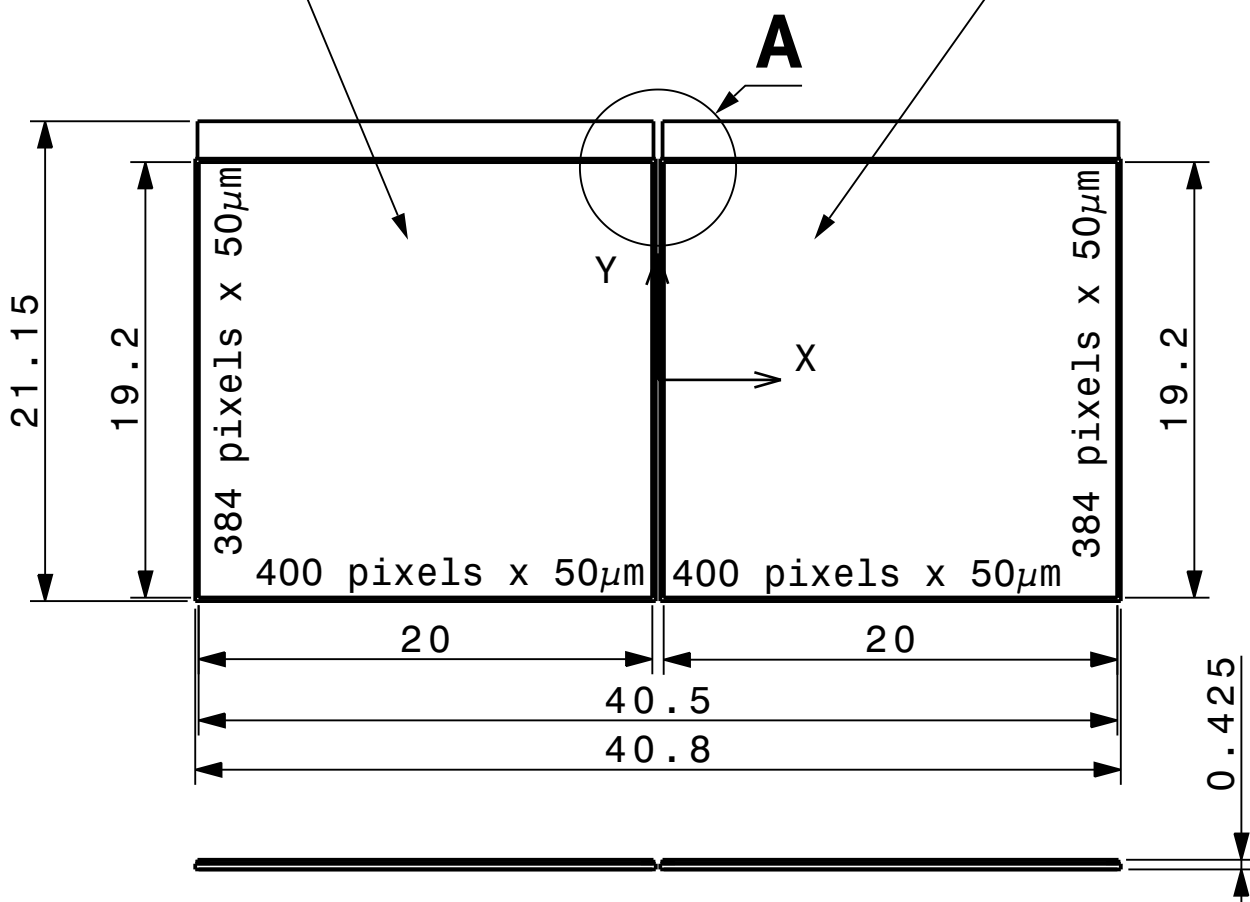


A
10:1

SINGLE SENSOR ACTIVE AREA



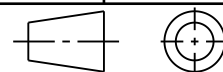
BARE DOUBLE LENGTH MODULE = TWO BARE SINGLE MODULES

DESIGNATION
ITk Pixel DoubleLength Module 3D

DESIGNED	M. JANDA	FORMAT A4
CHECKED		
RELEASED		SCALE 3:1
APPROVED		

EQUIPMENT CODE

DESIGNED
2019-03-13



REFERENCES

Doc No: ST0967432_02

INDEX

LABEL

QAC

SHEET

NOT VALID FOR EXECUTION

1/1

ORGANISATION EUROPEENNE POUR
LA RECHERCHE NUCLEAIRE
EUROPEAN ORGANIZATION FOR NUCLEAR RESEARCH
GENEVE

skin ne peut être utilisée à des fins commerciales sans autorisation écrite
drawing may not be used for commercial purposes without written authorisation