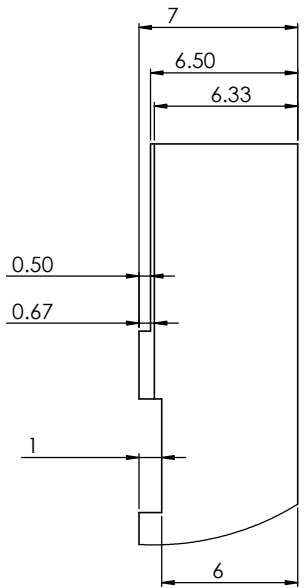
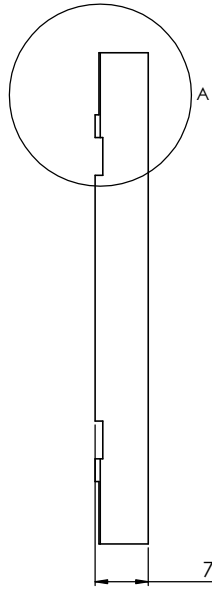
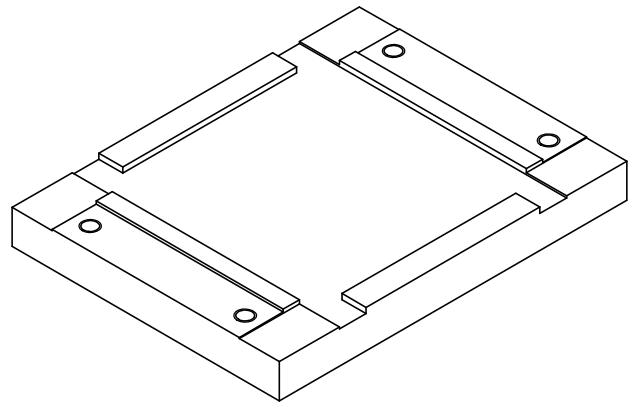


M3x0.5 - 4 Times



DETAIL A
SCALE 6 : 1

PROPRIETARY AND CONFIDENTIAL
THE INFORMATION CONTAINED IN THIS DRAWING IS THE SOLE PROPERTY OF HERBERT COMPANY NAME HERE. ANY REPRODUCTION IN PART OR AS A WHOLE WITHOUT THE WRITTEN PERMISSION OF HERBERT COMPANY NAME HERE IS PROHIBITED.

		UNLESS OTHERWISE SPECIFIED:		NAME	DATE		
		DIMENSIONS ARE IN INCHES				TITLE:	
		TOLERANCES:					
		FRACTIONAL ±		DRAWN			
		ANGULAR: MATCH ± BEND ±		CHECKED			
		TWO PLACE DECIMAL ±		ENG APPR.			
		THREE PLACE DECIMAL ±		MFG APPR.			
		INTERPRET GEOMETRIC TOLERANCING PER:		Q.A.			
		MATERIAL		COMMENTS:			
		FINISH				SIZE DWG. NO. REV	
NEXT ASSY	USED ON	APPLICATION		DO NOT SCALE DRAWING		SCALE: 2:1 WEIGHT: SHEET 1 OF 1	

AE-1000-4902 Silicon Heater Solder