

Update on HPS Hodoscope status

03 - December - 2018

Dec. 3 2018

Prototyping to be finished in Dec., or early January

Dates below can be slightly changed after discussion with Morgan Cook.

- Glueing fibers inside scintillators: Practice glueing and do actual glueing: 1 week
- Glue Mylar cover to the sides of scintillators 3 days
- Glue fibers inside the PMT adapter and polish fibers in with a polishing machine: 3 days
- Take data for 3-4 days with with, to make sure all we get “Good” signals from all maPMT channels, and Measure final expected average photoelectrons for each channel

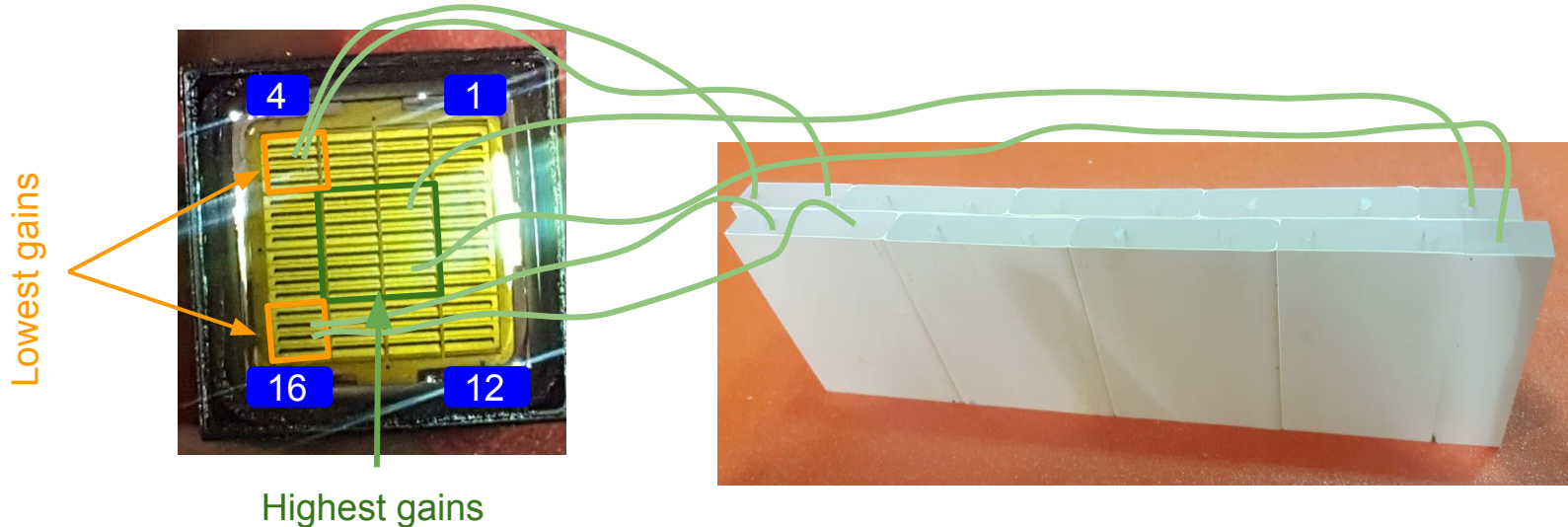
In total prototyping should be 2-3 weeks of work

Tomorrow, after discussion with Morgan, plans will be more clear

Assembly to start Mid of January

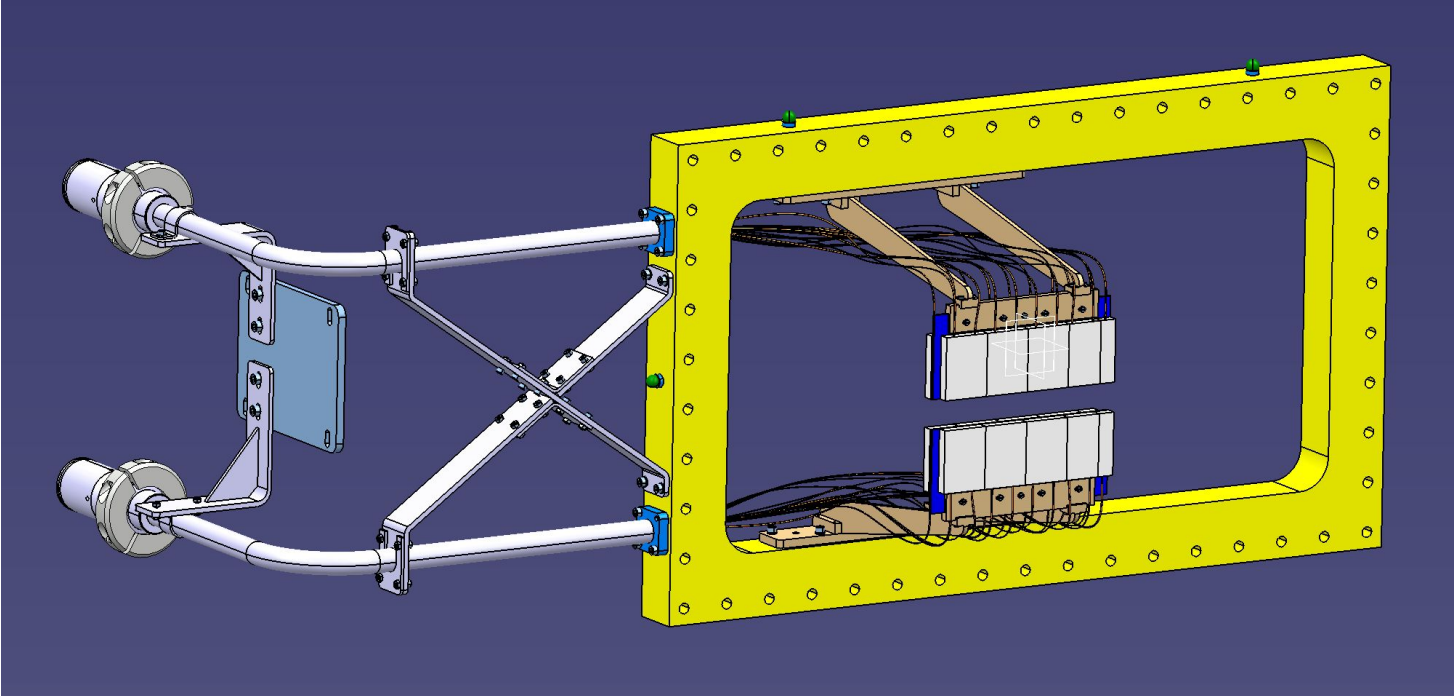
- Assembly 1-2 weeks
- Survey of tile positions wrt the reference points 2 days
- Test the whole assembly with cosmic rays in EEL building special dark box/cover 1 week

scintillator-PMT ch. map



After gluing one end of fibers, the other end should be glued when fibers are passed through the hodo support assembly.

We should make final decision after discussing with Morgan



Dec. 17 2018

- Tests of glueing started Thursday: The technique is almost finalized
- Test of glueing of Mylar on the sides of scintillators started, seems to work properly

This week we should expect to finish glueing tests including fibers through the PMT adapter.

Construction should start by mid of January 2019.

