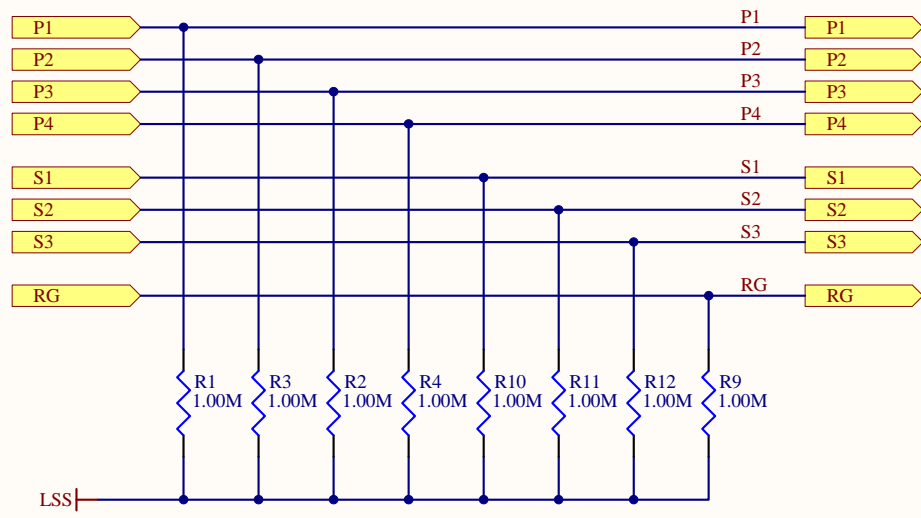
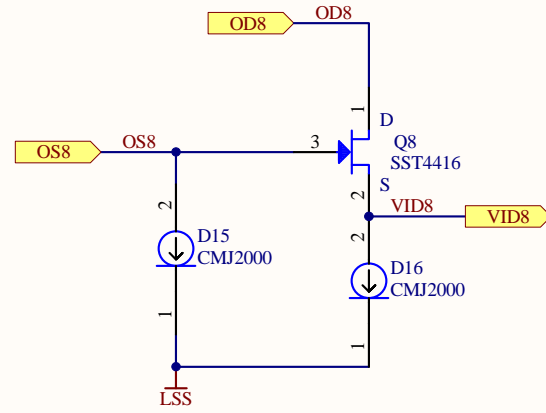
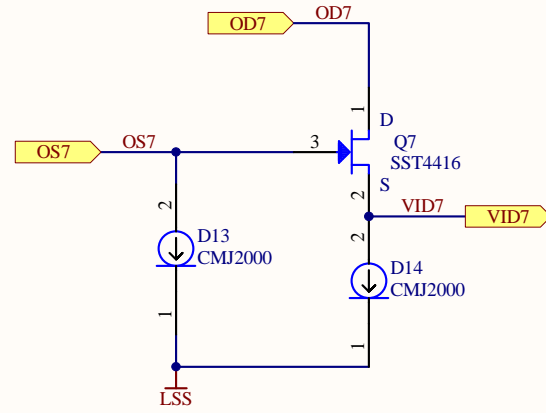
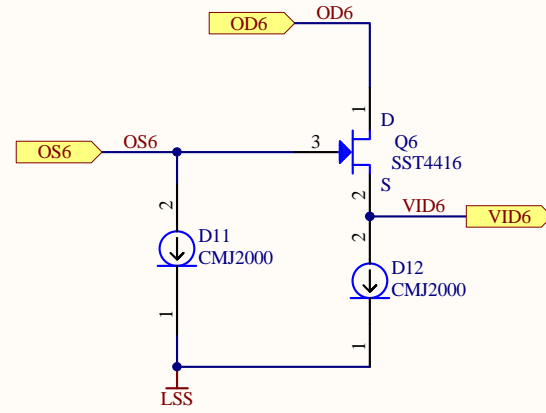
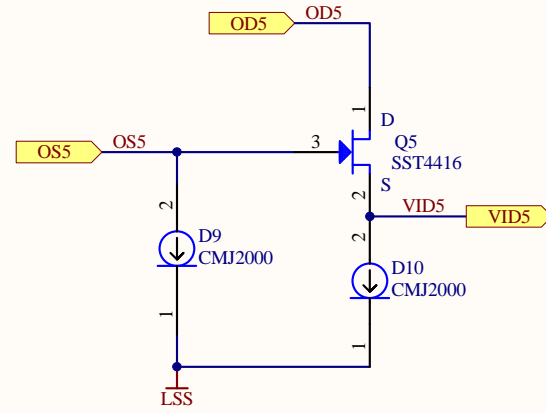
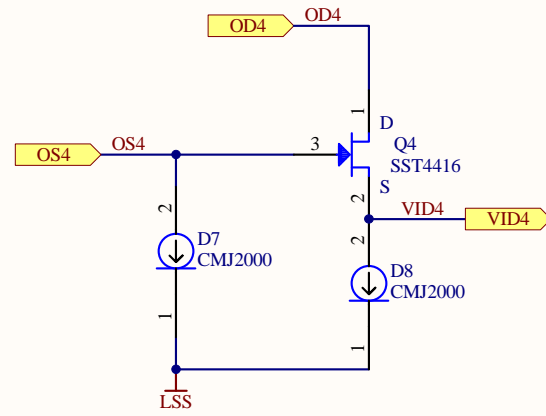
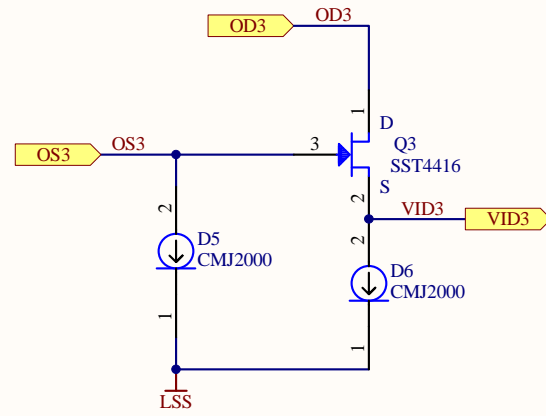
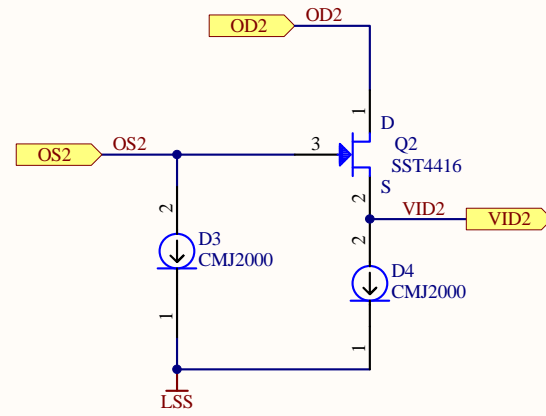
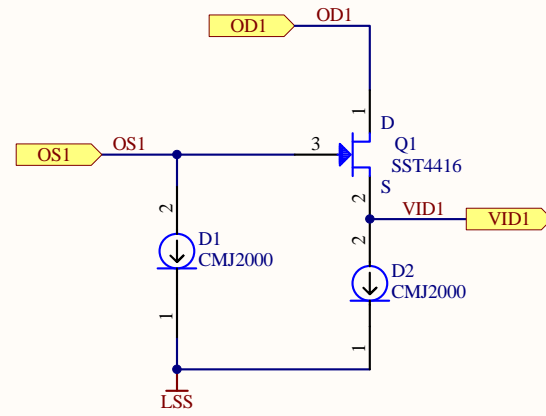
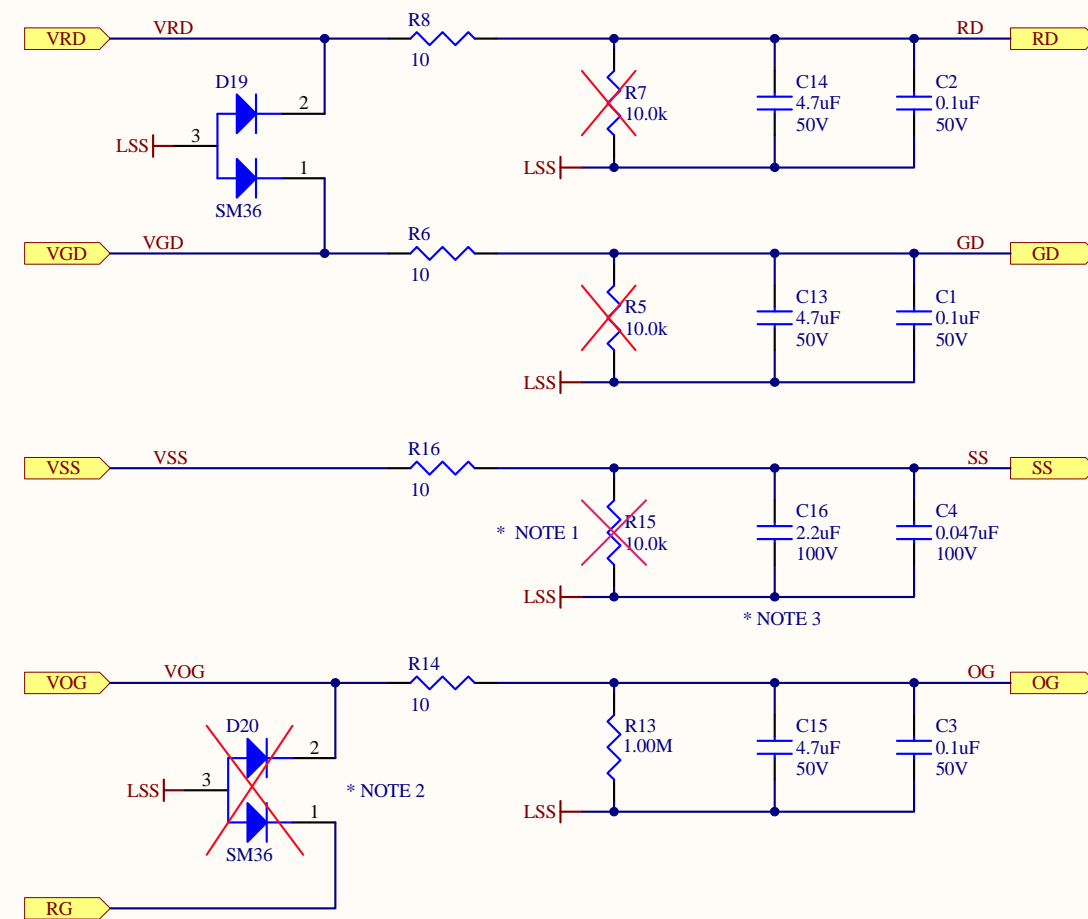
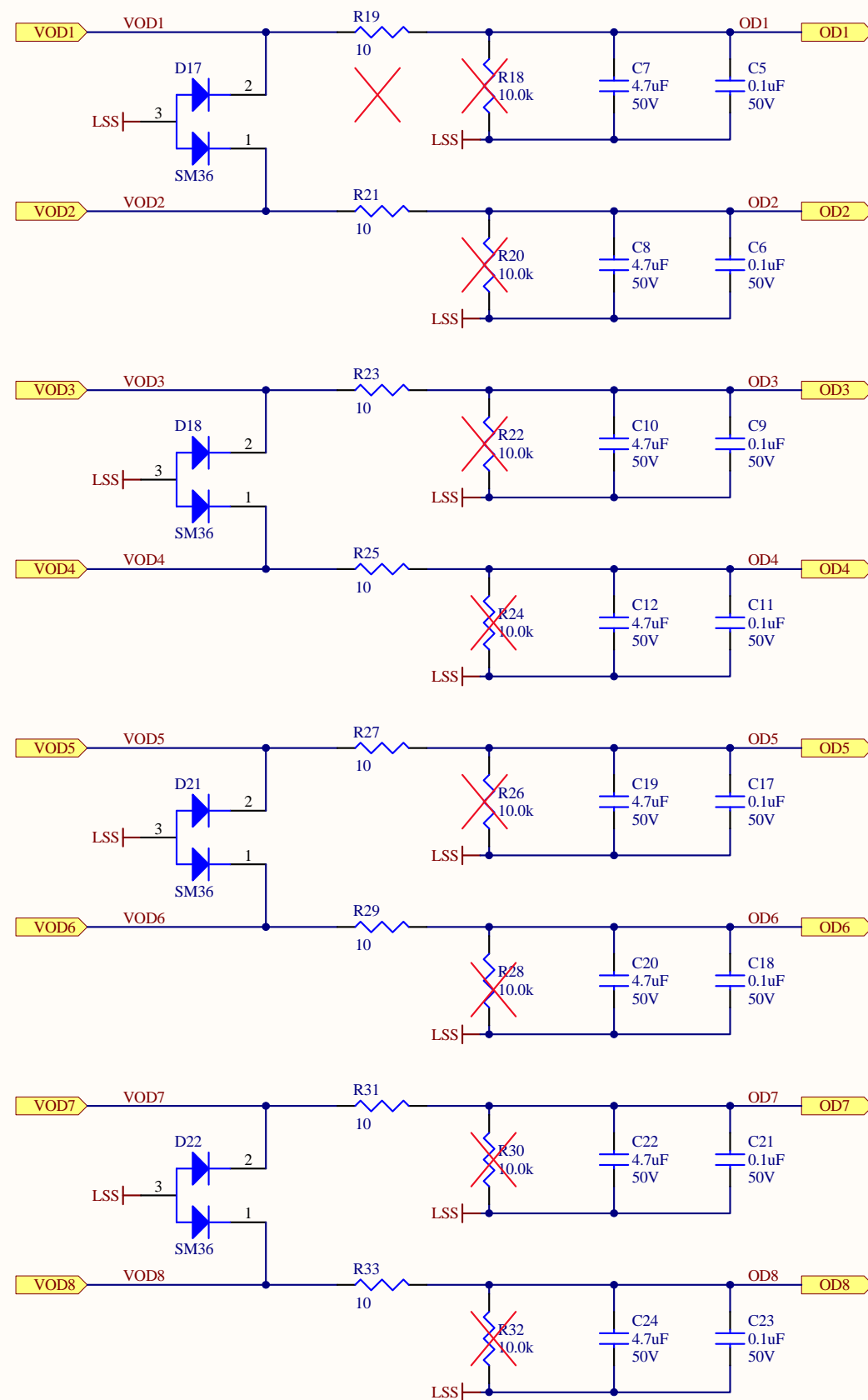


NOTE: Current Diode direction indication on PCB is reversed



PROJECT: LSST		PROJECT #		Harvard University	
PART: E2V250 Preamplifier PCB				Laboratory for Particle Physics and Cosmology	
SECTION: Source Followers				38 Oxford St	
REV: 1	SIZE: B	FILE: DocumentPathAndName	DATE: 8/10/2015	SHEET 1 OF 1	DRAWN BY: DOHERTY
				Cambridge, MA 02138	
				617-495-5862	

Cannot open file
Z:\Jobs\lsst\Sensors\Hardware\Electronics\E2V250



INSTALL TO GROUND CASE



NOTE 1: DO NOT INSTALL R15
 CREATES VOLTAGE DIVIDER WITH EXISTING RESISTANCE
 ON BNL PREAMP

NOTE 2: DO NOT INSTALL D20 IF RG OR OG
 VOLTAGE IS TO BE ALLOWED TO GO BELOW 0V

NOTE 3: C16 MUST HAVE 100V RATING

PROJECT:	LSST	PROJECT #	
PART:	E2V250 Preamplifier PCB		
SECTION:	DC Bias Filtering		
REV:	SIZE:	FILE:	DocumentPathAndName
1	B	DATE:	8/10/2015
		SHEET:	1 OF 1
		DRAWN BY:	DOHERTY
		Harvard University Laboratory for Particle Physics and Cosmology 38 Oxford St Cambridge, MA 02138 617-495-5862	
		Cannot open file Z:\Jobs\lsst\ Sensors\Har dware\Electr onics\E2V2	

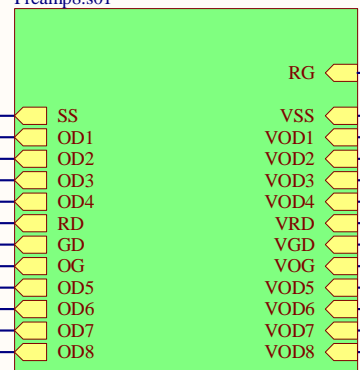
TO CCD

1	SS
20	LSS
2	OD1
21	OS1
3	OD2
22	OS2
4	OD3
23	OS3
5	OD4
24	OS4
6	RD
25	LSS
7	TS_77/80
26	GD
8	P4
27	P3
9	P2
28	P1
10	TS_75/78
29	RG
11	S1
30	S2
12	S3
31	GD
13	TS_76/79
32	LSS
14	OG
33	OS5
15	OD5
34	OS6
16	OD6
35	OS7
17	OD7
36	OS8
18	OD8
37	LSS
19	SS

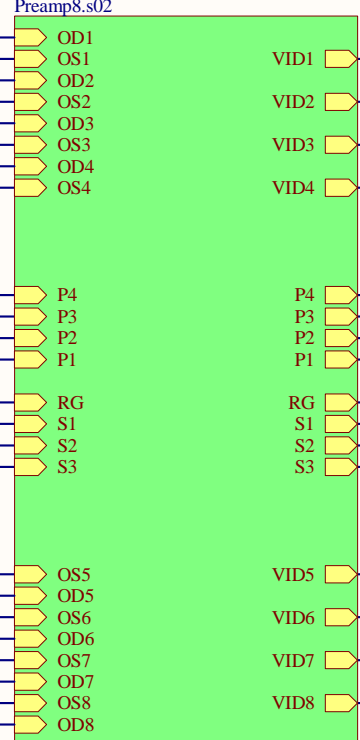
MDM-37SBR

DSUB37F

Sheet1
Preamp8.s01



Sheet2
Preamp8.s02



VSS	1
LSS	20
VOD1	2
VID1	21
VOD2	3
VID2	22
VOD3	4
VID3	23
VOD4	5
VID4	24
VRD	6
LSS	25
TS_77/80	7
VGD	26
P4	8
P3	27
P2	9
P1	28
TS_75/78	10
RG	29
S1	11
S2	30
S3	12
VGD	31
TS_76/79	13
LSS	32
VOG	14
VID5	33
VOD5	15
VID6	34
VOD6	16
VID7	35
VOD7	17
VID8	36
VOD8	18
LSS	37
VSS	19

1	P1
20	LSS
2	VOD1
21	VID1
3	VOD2
22	VID2
4	VOD3
23	VID3
5	VOD4
24	VID4
6	VRD
25	LSS
7	TS_77/80
26	VGD
8	P4
27	P3
9	P2
28	P1
10	TS_75/78
29	RG
11	S1
30	S2
12	S3
31	VGD
13	TS_76/79
32	LSS
14	VOG
33	VID5
15	VOD5
34	VID6
16	VOD6
35	VID7
17	VOD7
36	VID8
18	VOD8
37	LSS
19	VSS

MDM-37PBR

DSUB37M

TO BNL PREAMP

PROJECT:	LSST	PROJECT #	
PART:	E2V250 Preamplifier PCB		
SECTION:	Master Schematic		
REV:	SIZE:	FILE:	DocumentPathAndName
1	B	DATE:	8/10/2015
		SHEET:	1 OF 1
		DRAWN BY:	DOHERTY
		Harvard University Laboratory for Particle Physics and Cosmology 38 Oxford St Cambridge, MA 02138 617-495-5862	
		Cannot open file Z:\Jobs\lsst\Sensors\Hardware\Electronics\E2V250pre	