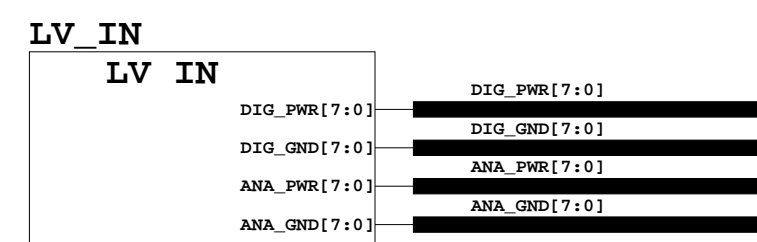
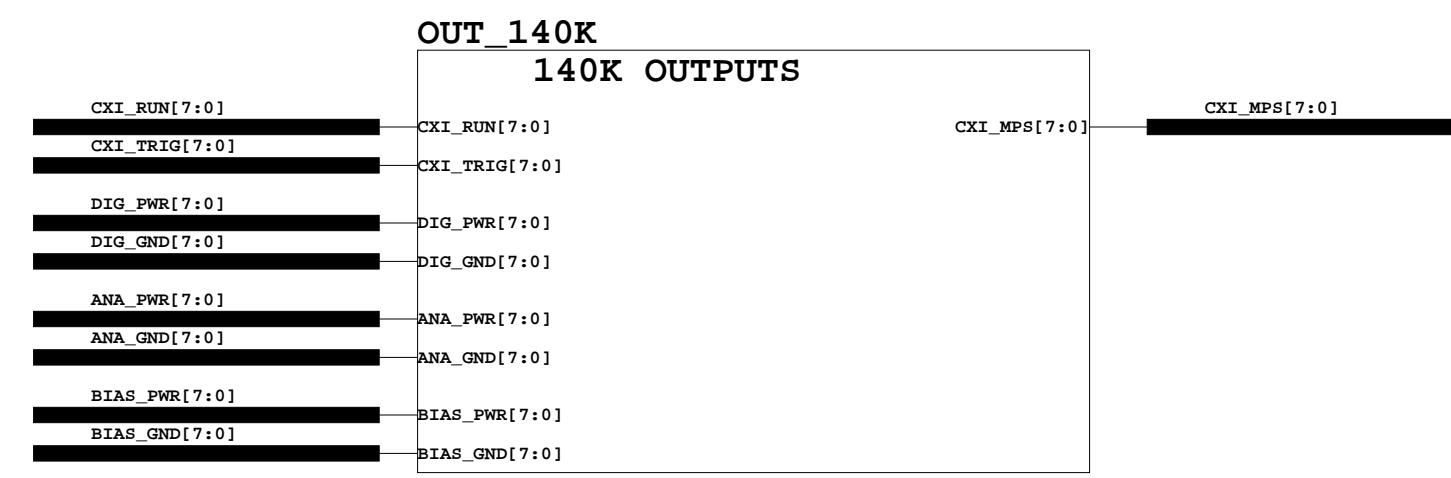


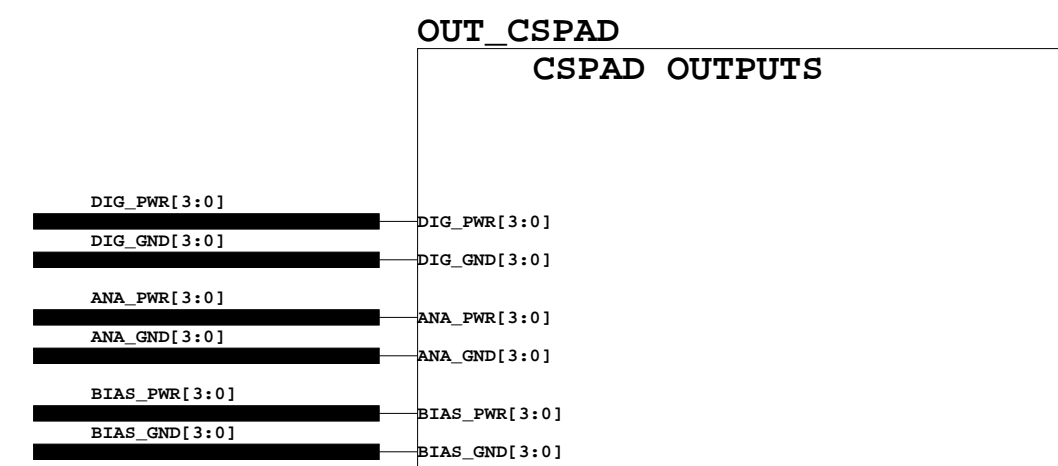
SHEET=2



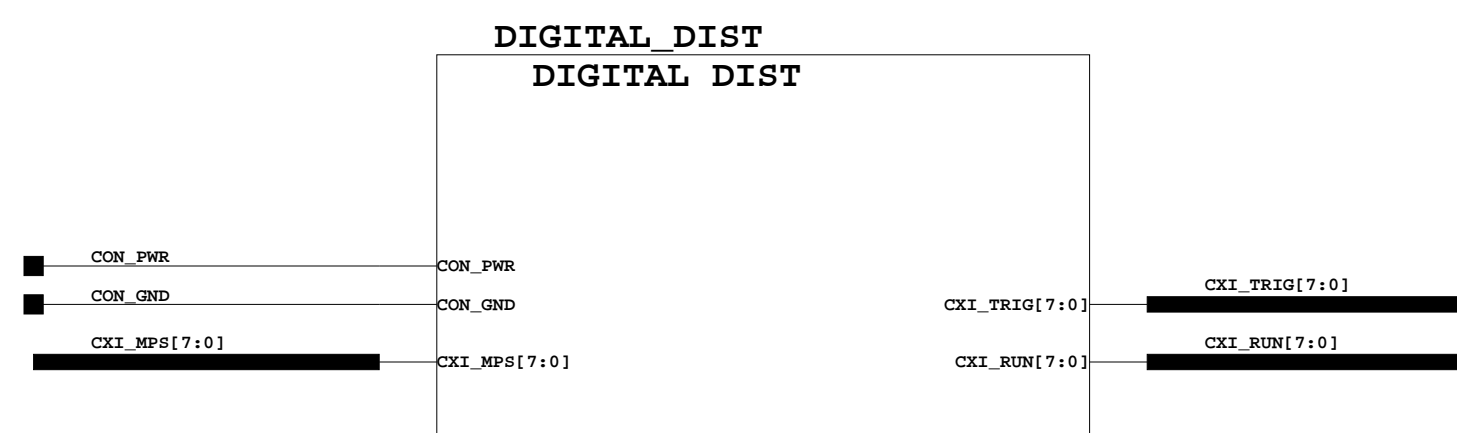
SHEET=3



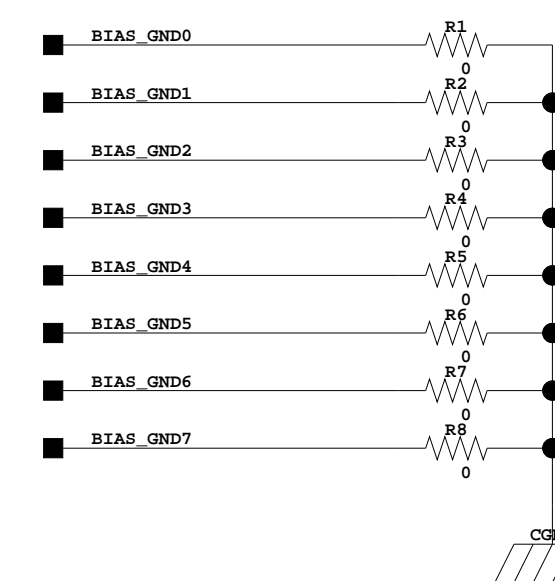
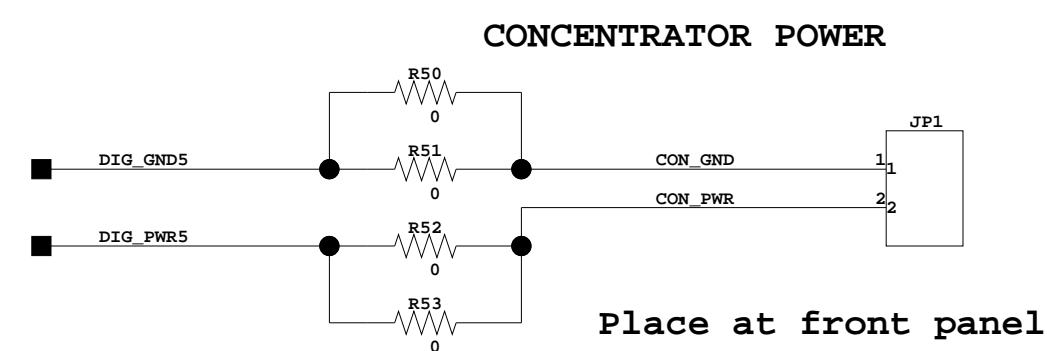
SHEET=4



SHEET=5



SHEET=6

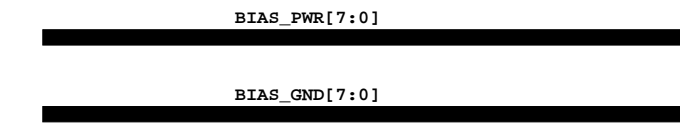
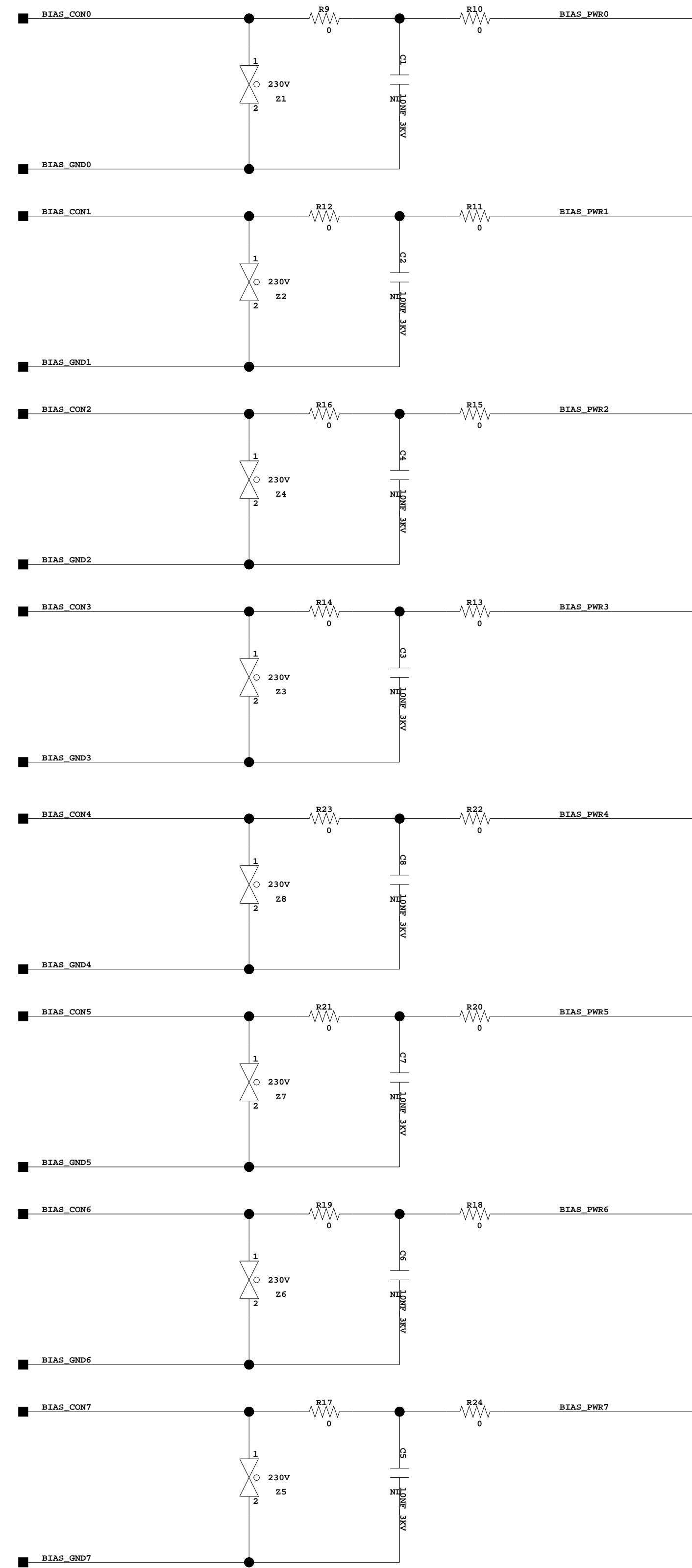
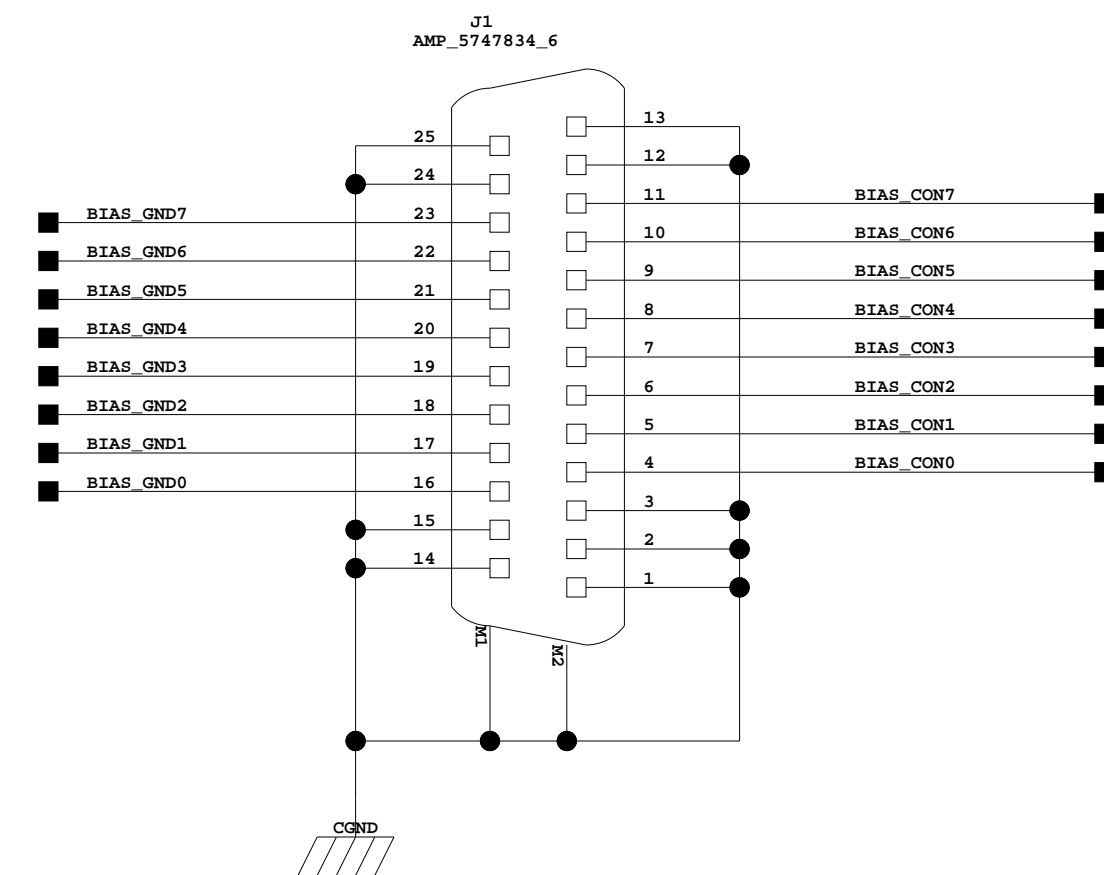


3-20-2012_10:29

| STANFORD LINEAR ACCELERATOR CENTER U.S. DEPARTMENT OF ENERGY | | |
|---|----------------------|------|
| STANFORD UNIVERSITY | STANFORD, CALIFORNIA | |
| PROPRIETARY DATA OF STANFORD UNIVERSITY AND/OR U.S. DEPARTMENT OF ENERGY. RECIPIENT SHALL NOT PUBLISH THE INFORMATION WITHIN UNLESS GRANTED SPECIFIC PERMISSION OF STANFORD UNIVERSITY. | | |
| ENGR | Sven Hettmann | 2012 |
| OPTR | | |
| CHKA | | |

| | |
|---------------------------|--|
| SHEET 1 OF 6 | |
| CS-PAD POWER DISTRIBUTION | |
| LOCATED AT SHEET TOP | |
| SD-261-100-14-C01 | |

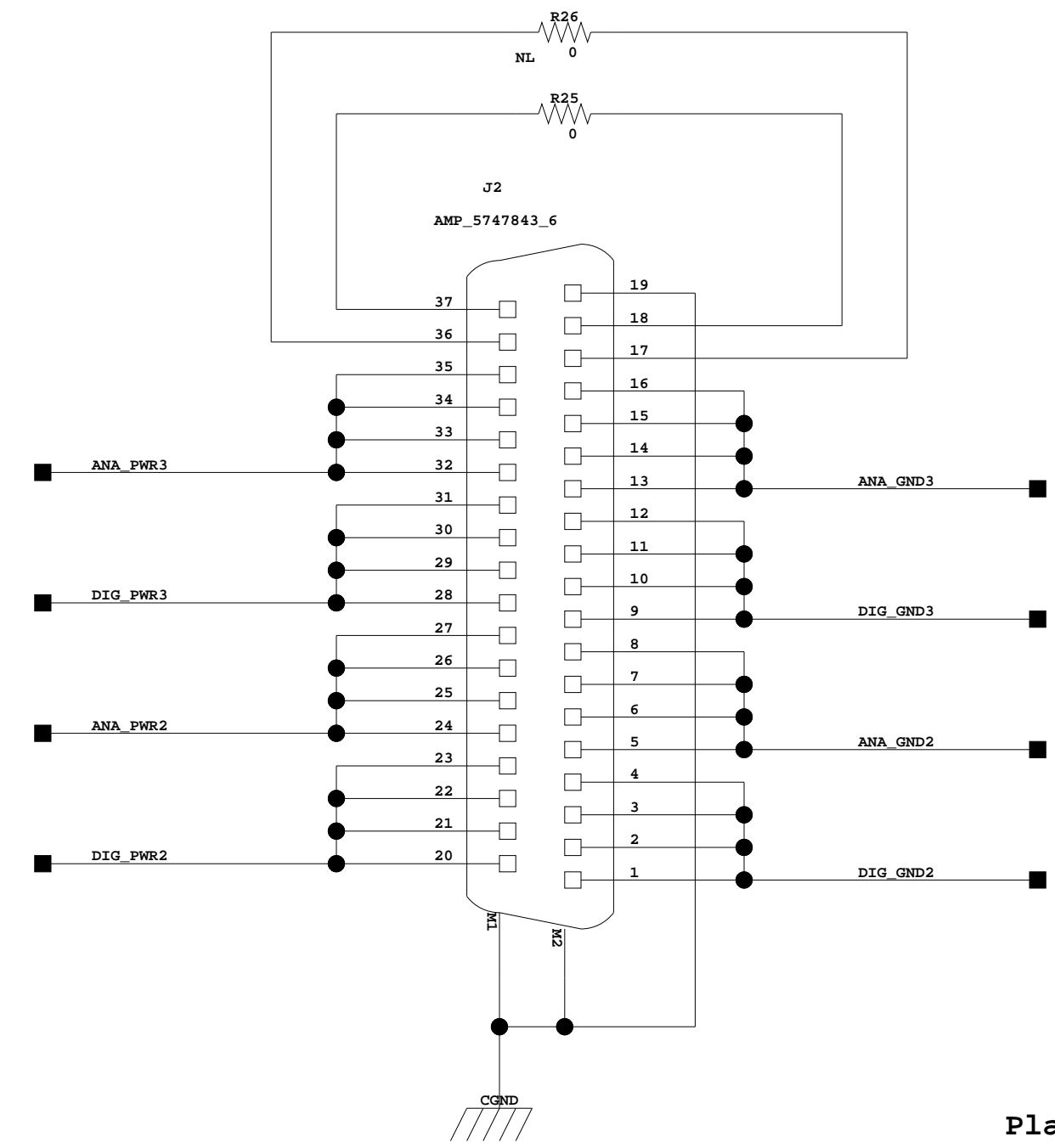
Place at front panel



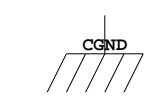
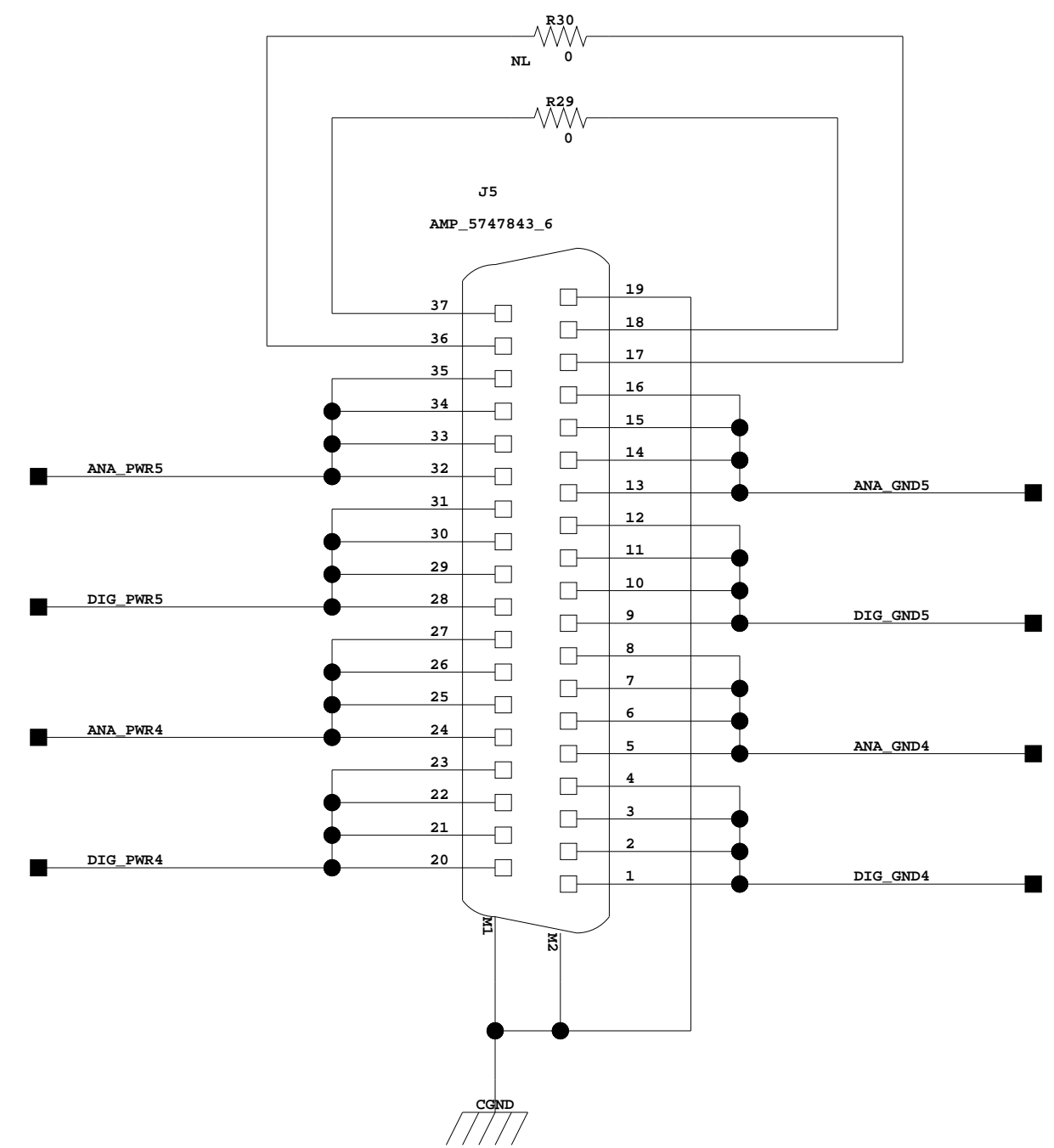
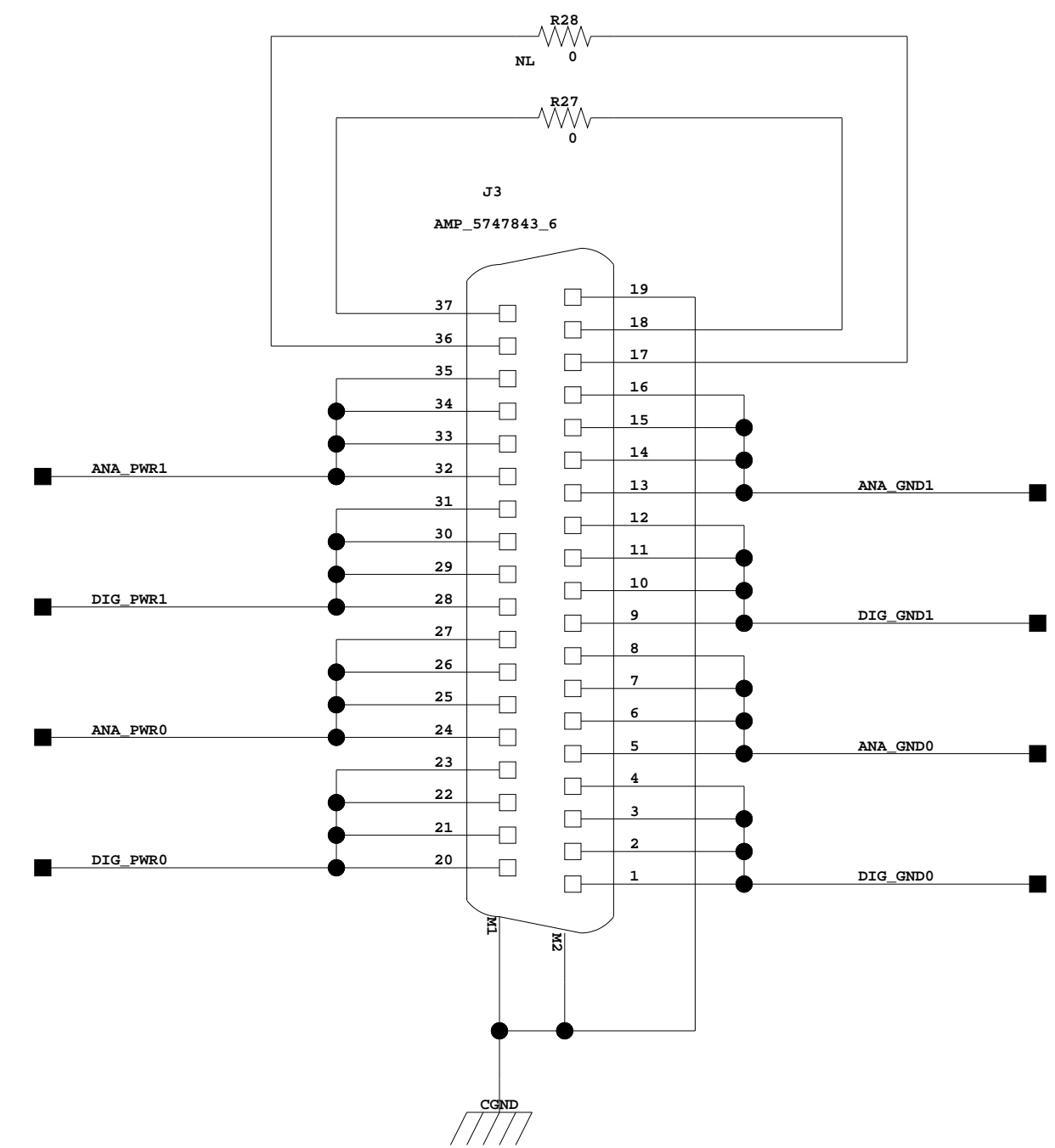
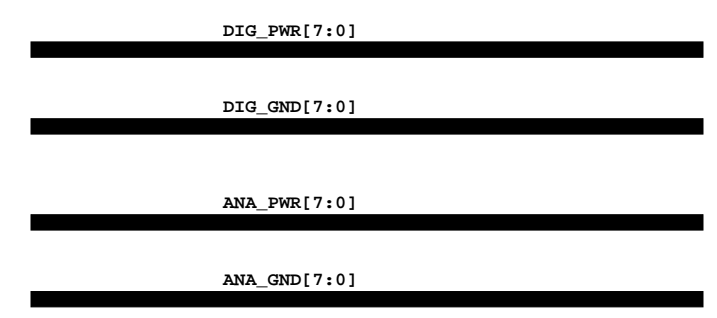
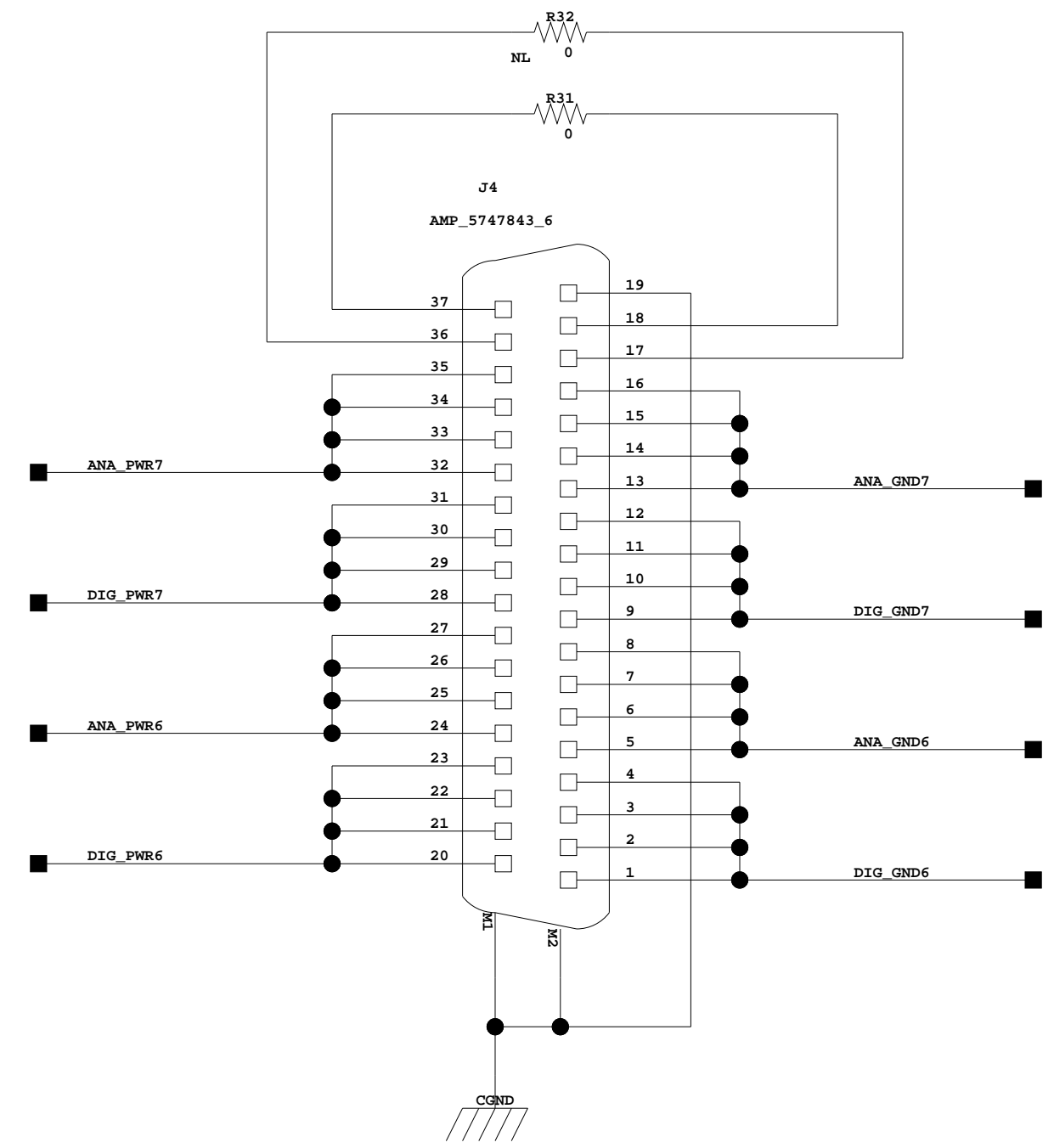
| | | |
|---|----------------------|-----------|
| STANFORD LINEAR ACCELERATOR CENTER U.S. DEPARTMENT OF ENERGY | | |
| STANFORD UNIVERSITY | STANFORD, CALIFORNIA | |
| PROPRIETARY DATA OF STANFORD UNIVERSITY AND/OR U.S. DEPARTMENT OF ENERGY. RECIPIENT SHALL NOT PUBLISH THE INFORMATION WITHIN UNLESS GRANTED SPECIFIC PERMISSION OF STANFORD UNIVERSITY. | | |
| ENGR | Sven Hettmann | DATE |
| DTFR | | 2012 |
| CHKR | | APPROVALS |
| | | |

| |
|--|
| SHEET 2 OF 6 |
| CS-PAD POWER DISTRIBUTION HIGH VOLTAGE IN |
| LOCATED AT SHEET 1 |
| SD-261-100-14-C01 |

[Empty box]



Place at front panel



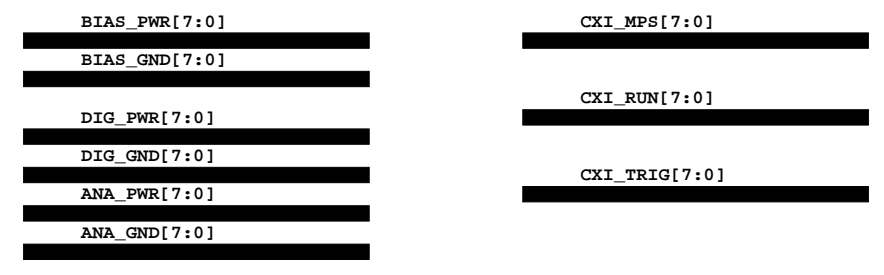
| | | |
|---|----------------------|-----------|
| STANFORD LINEAR ACCELERATOR CENTER U.S. DEPARTMENT OF ENERGY | | |
| STANFORD UNIVERSITY | STANFORD, CALIFORNIA | |
| PROPRIETARY DATA OF STANFORD UNIVERSITY AND/OR U.S. DEPARTMENT OF ENERGY. RECIPIENT SHALL NOT PUBLISH THE INFORMATION WITHIN UNLESS GRANTED SPECIFIC PERMISSION OF STANFORD UNIVERSITY. | | |
| ENGR | DATE | APPROVALS |
| Sven Heitmann | 2012 | |
| DTFR | | |
| CHGR | | |

SHEET 3 OF 6

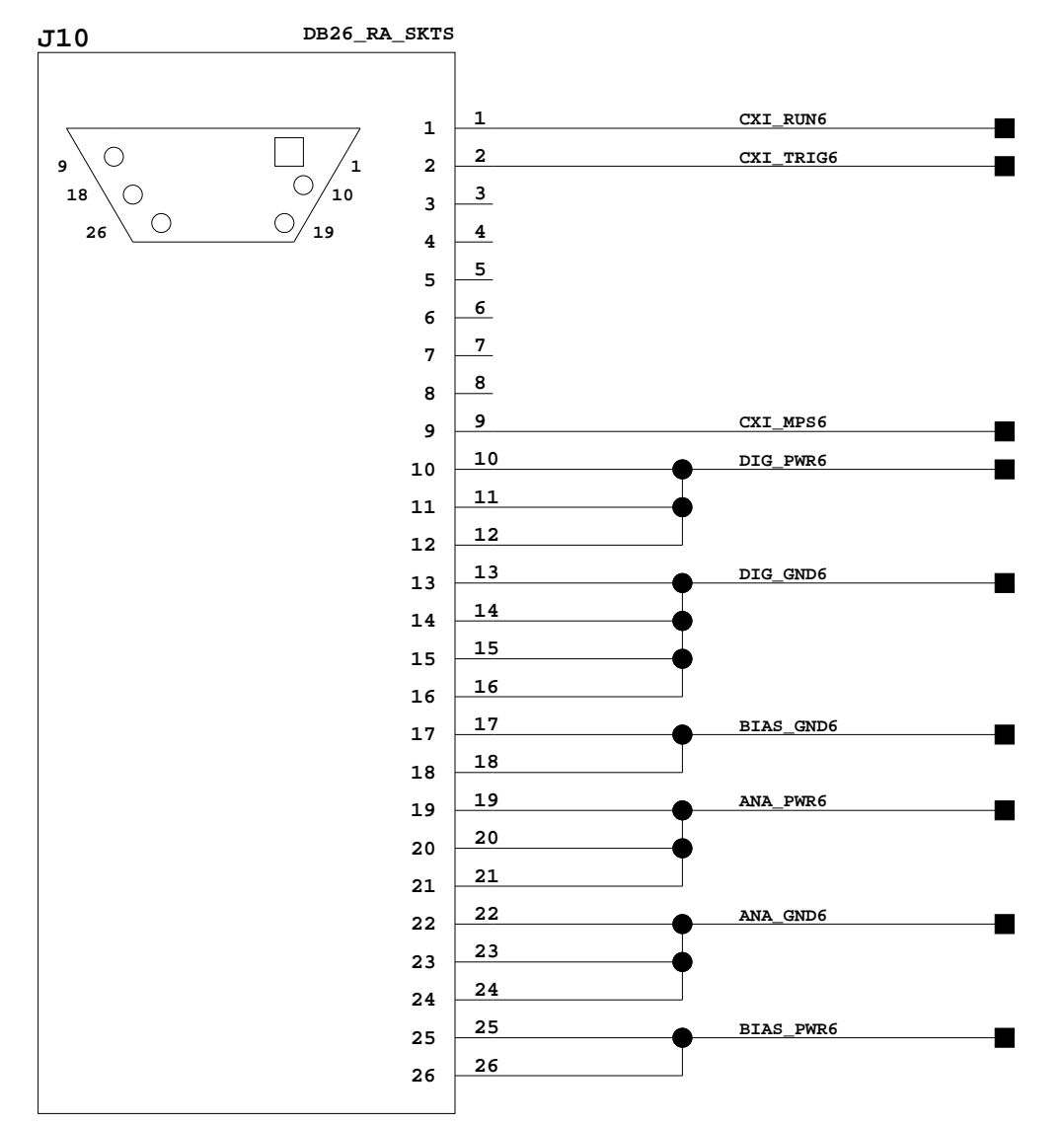
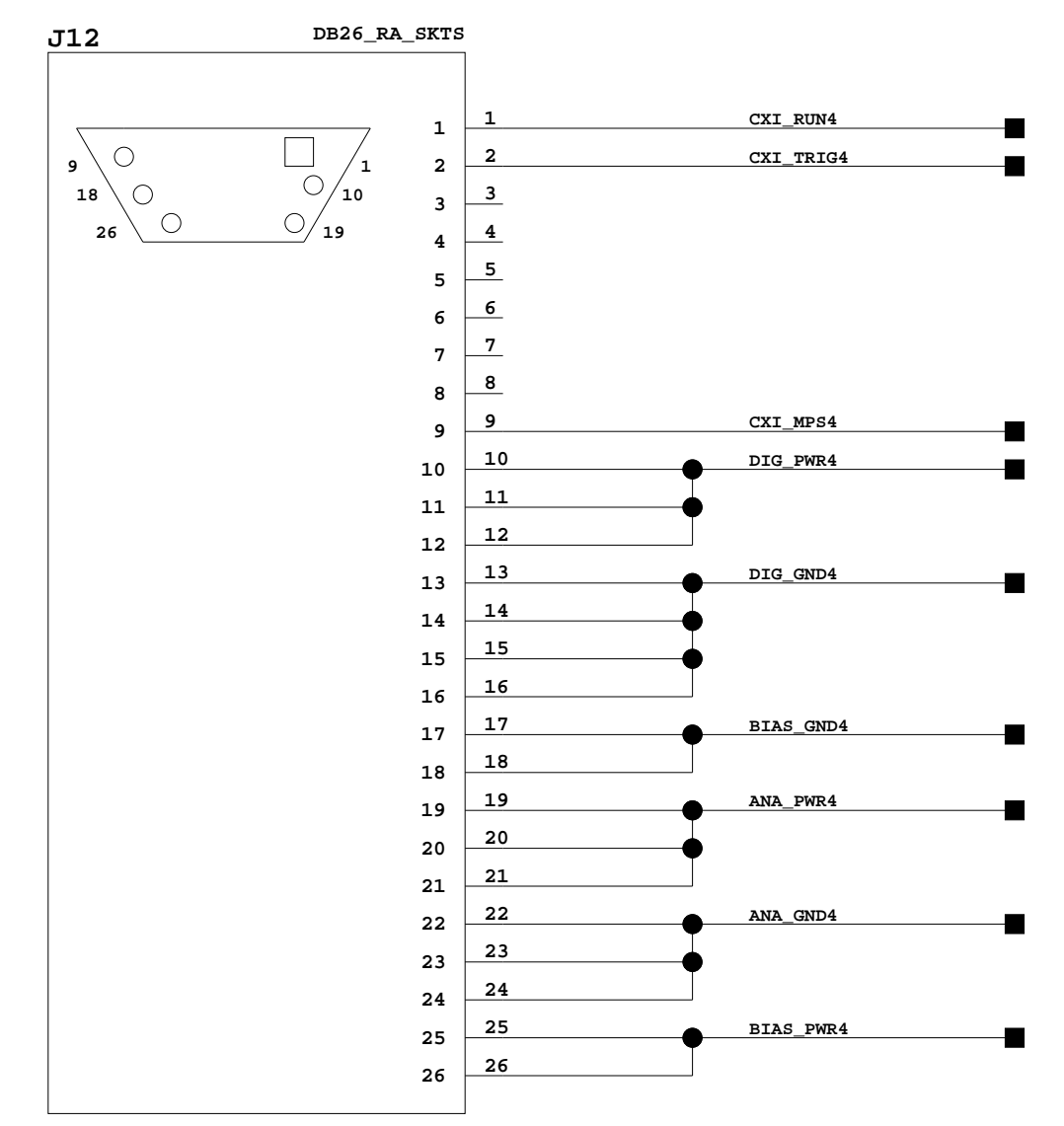
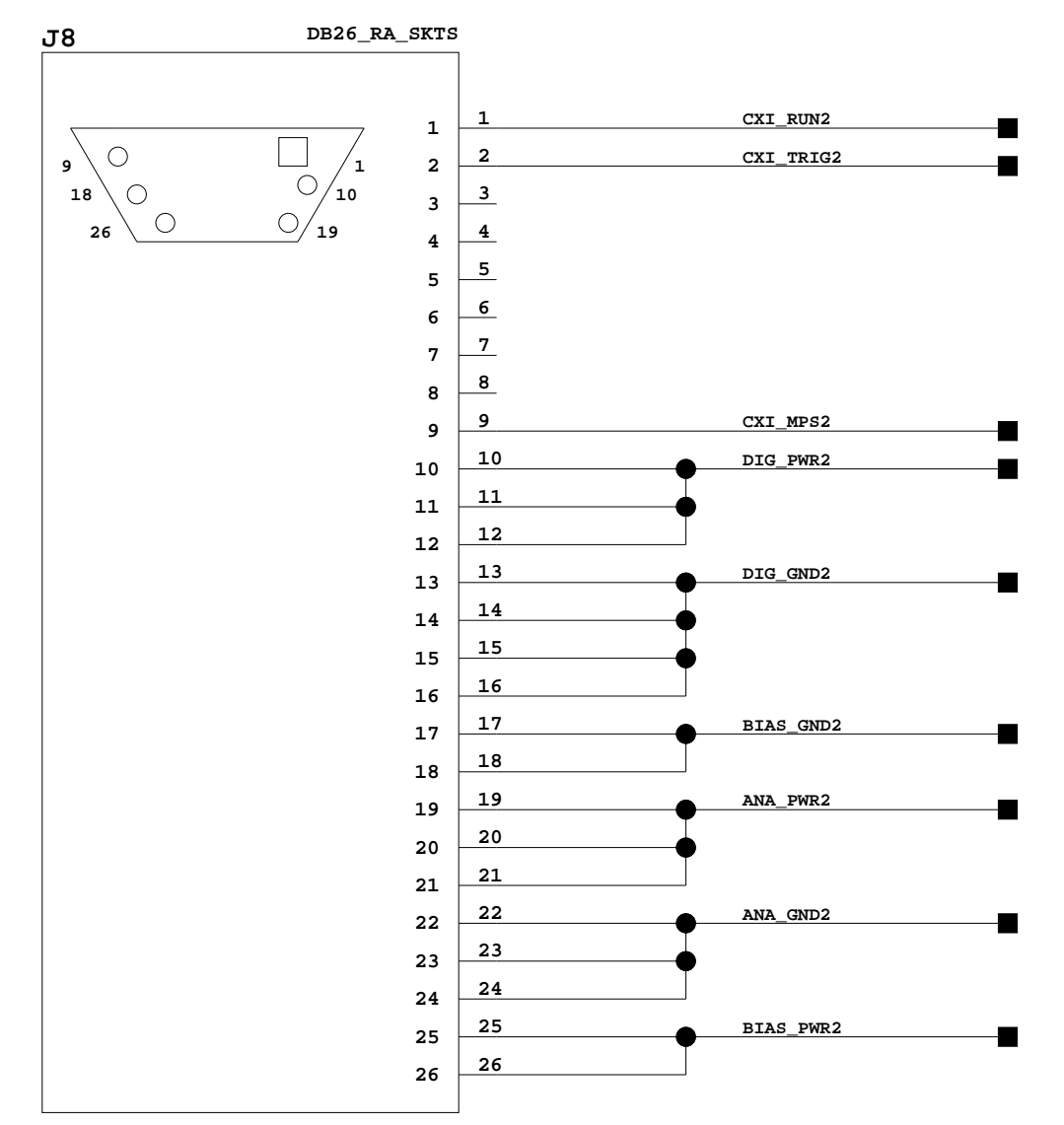
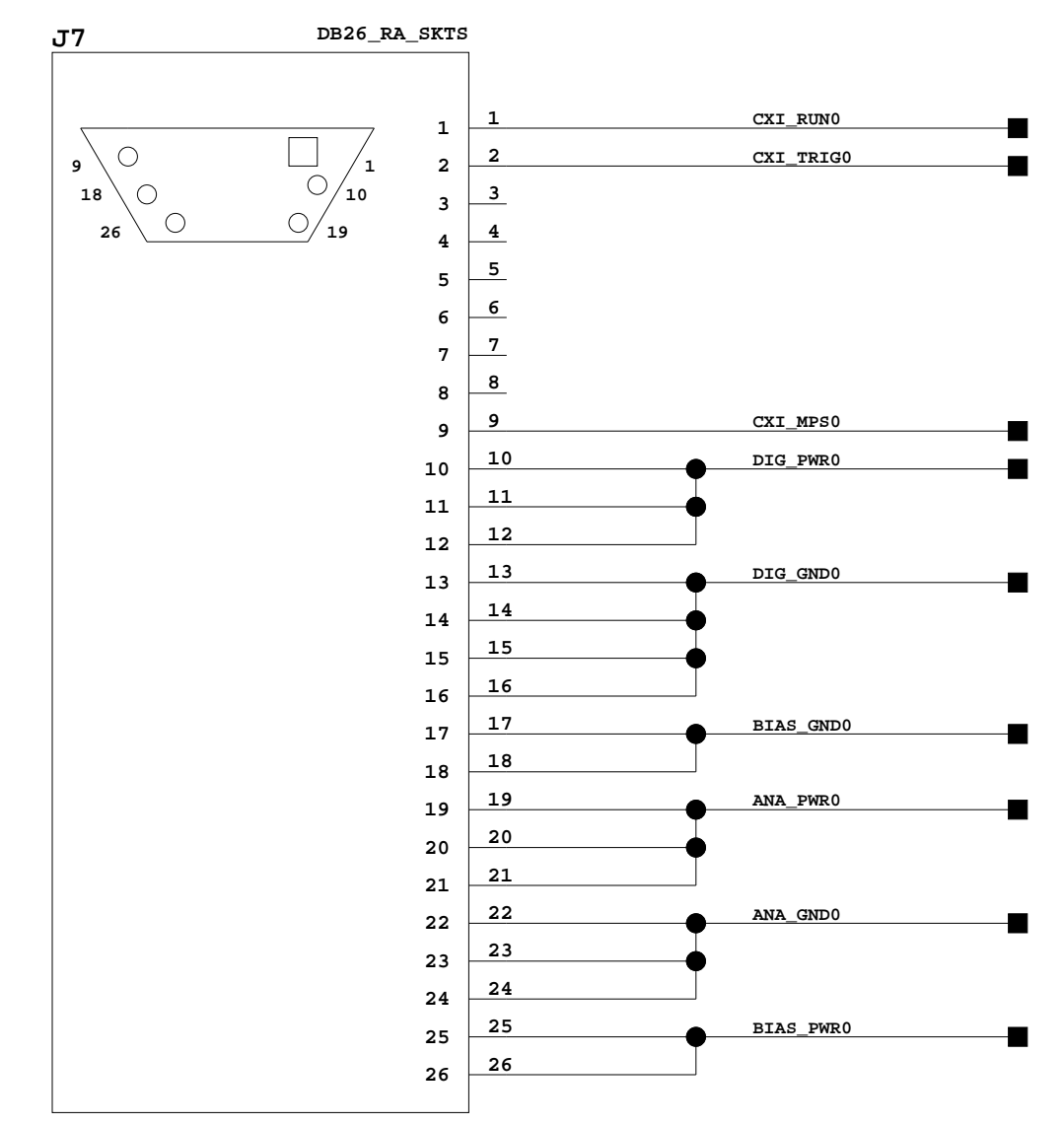
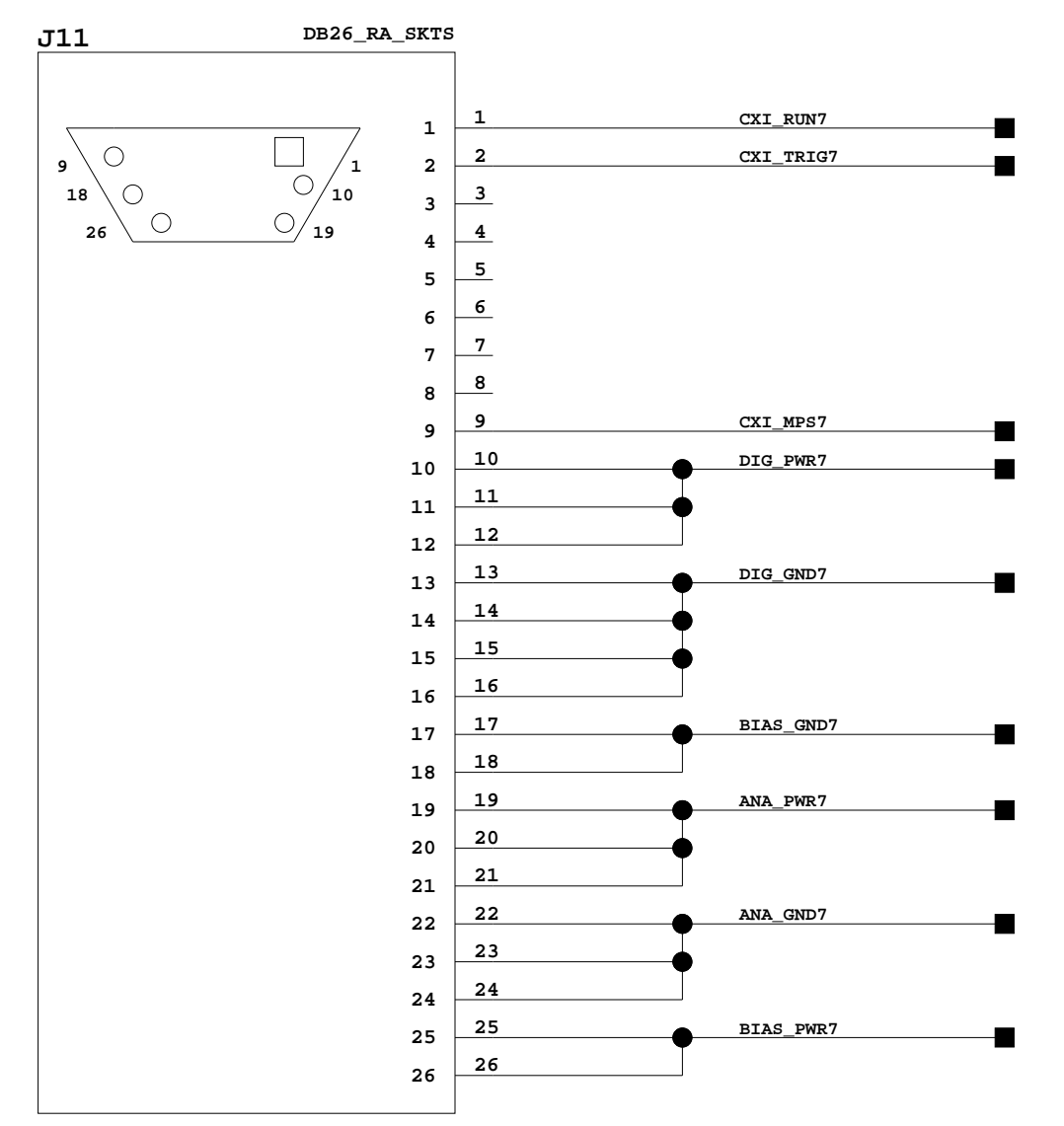
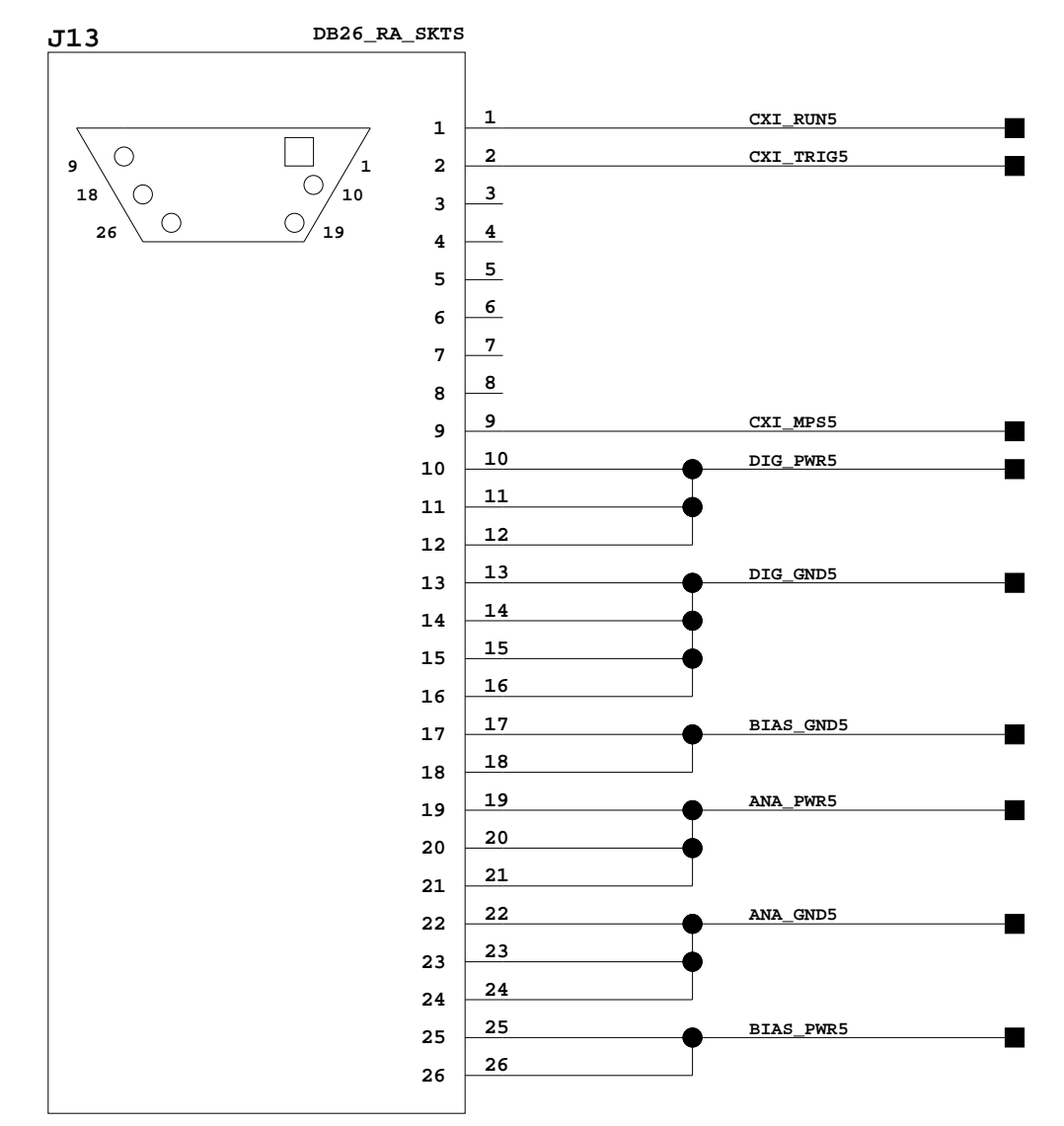
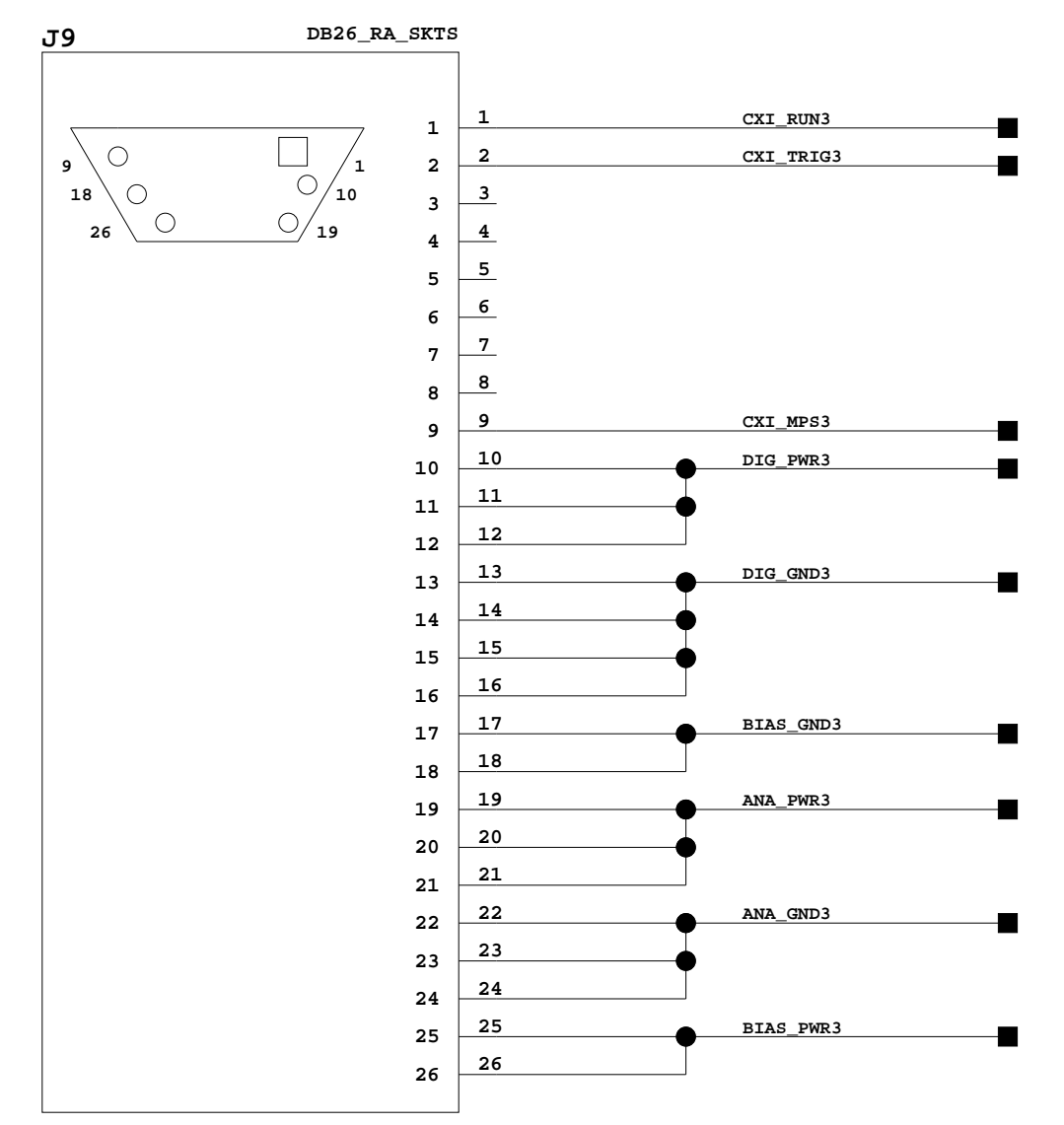
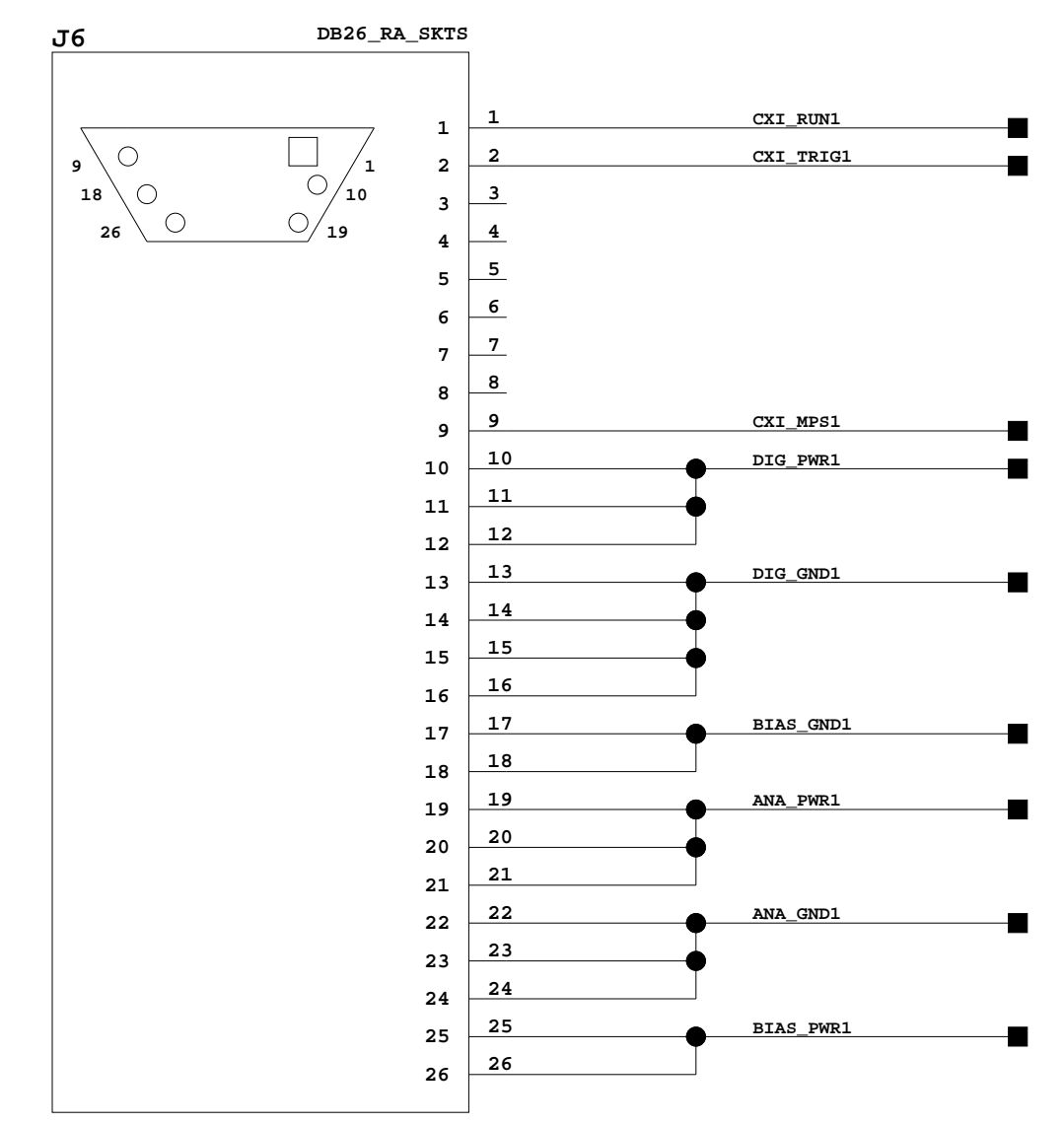
**CS-PAD POWER DISTRIBUTION
LOW VOLTAGE IN**

LOCATED AT SHEET 1

SD-261-100-14-C01



Place away from front panel. Pigtails to panel mount connectors



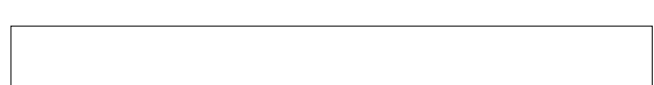
| | | |
|---|----------------------|-----------|
| STANFORD LINEAR ACCELERATOR CENTER U.S. DEPARTMENT OF ENERGY | | |
| STANFORD UNIVERSITY | STANFORD, CALIFORNIA | |
| PROPRIETARY DATA OF STANFORD UNIVERSITY AND/OR U.S. DEPARTMENT OF ENERGY. RECIPIENT SHALL NOT PUBLISH THE INFORMATION WITHIN UNLESS GRANTED SPECIFIC PERMISSION OF STANFORD UNIVERSITY. | | |
| DRWR | DATE | APPROVALS |
| Sven Heitmann | 2012 | |
| DRFR | | |
| CHKR | | |

SHEET 4 OF 6

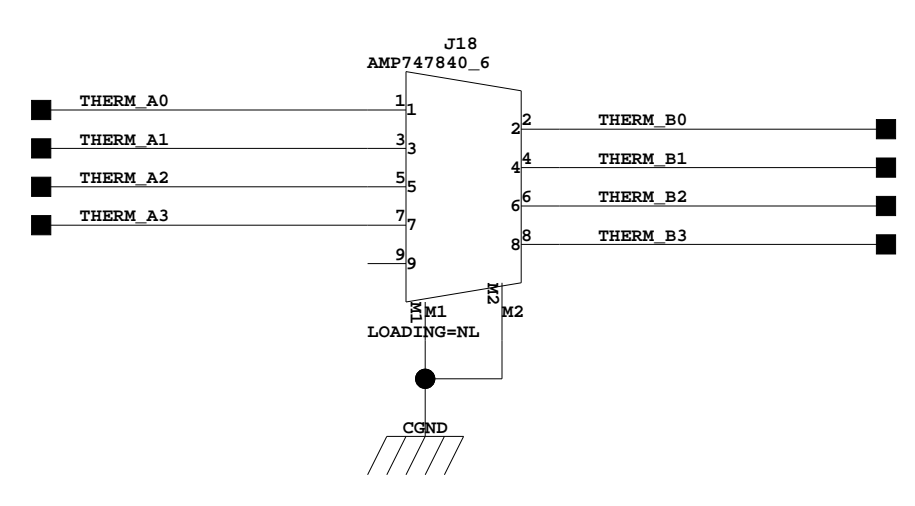
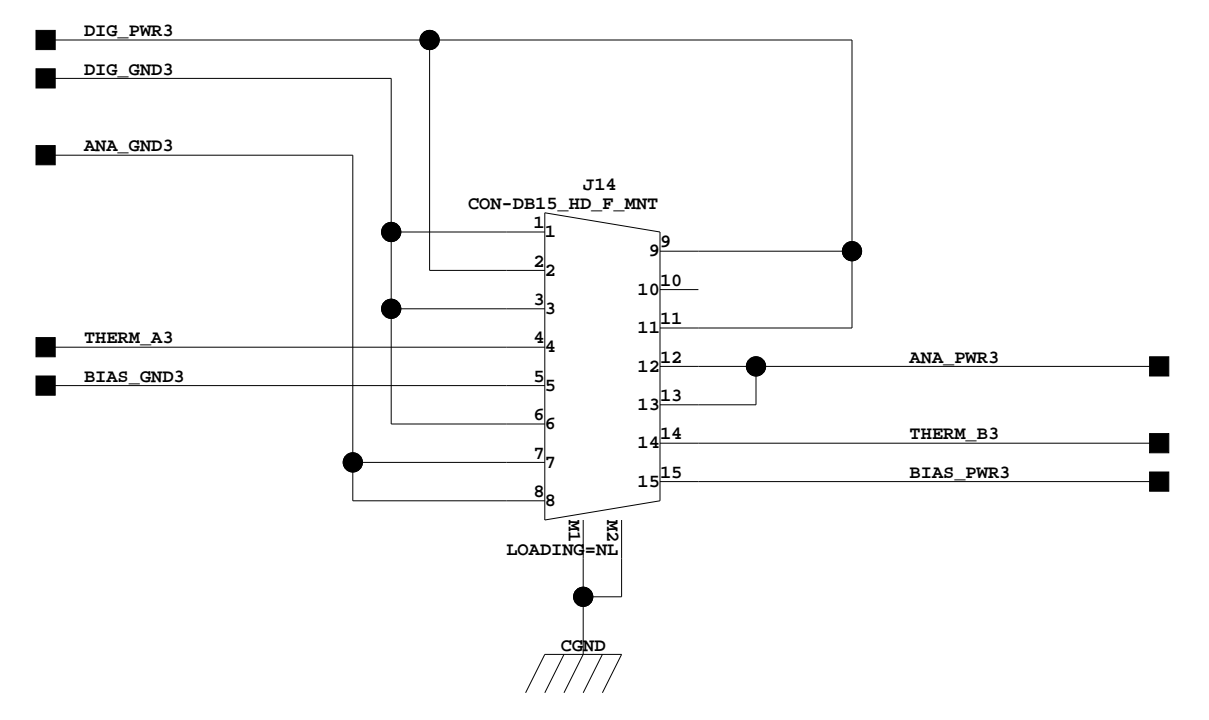
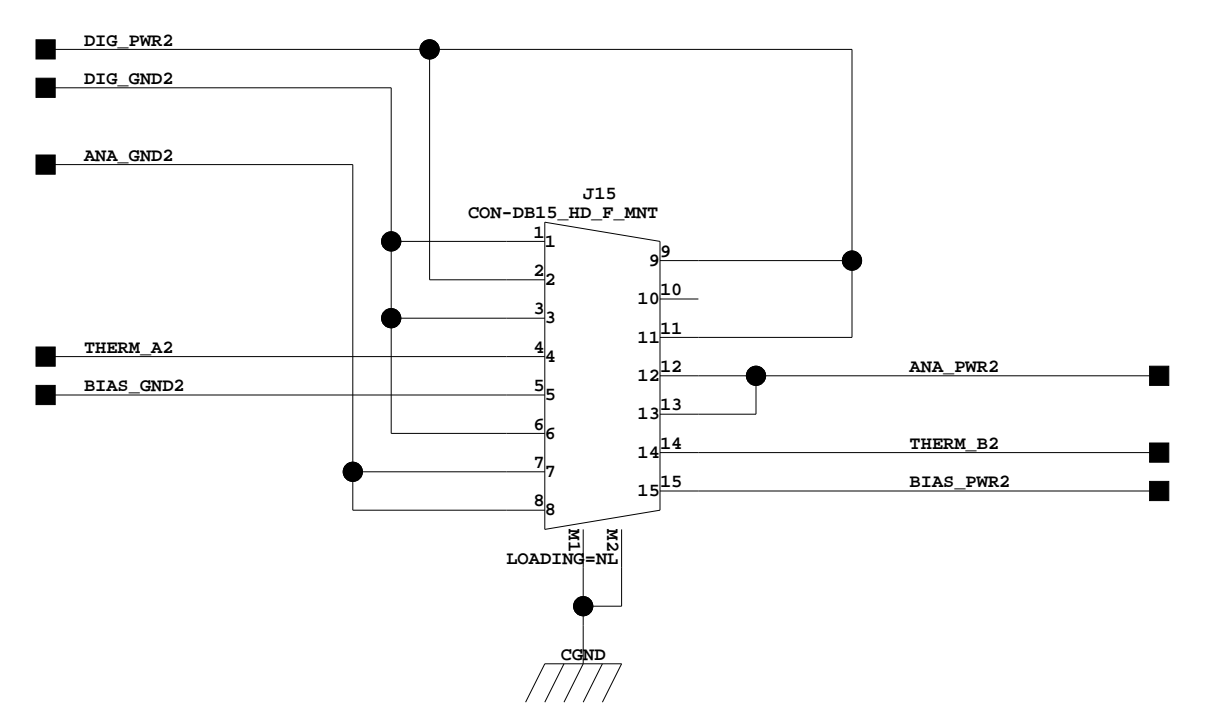
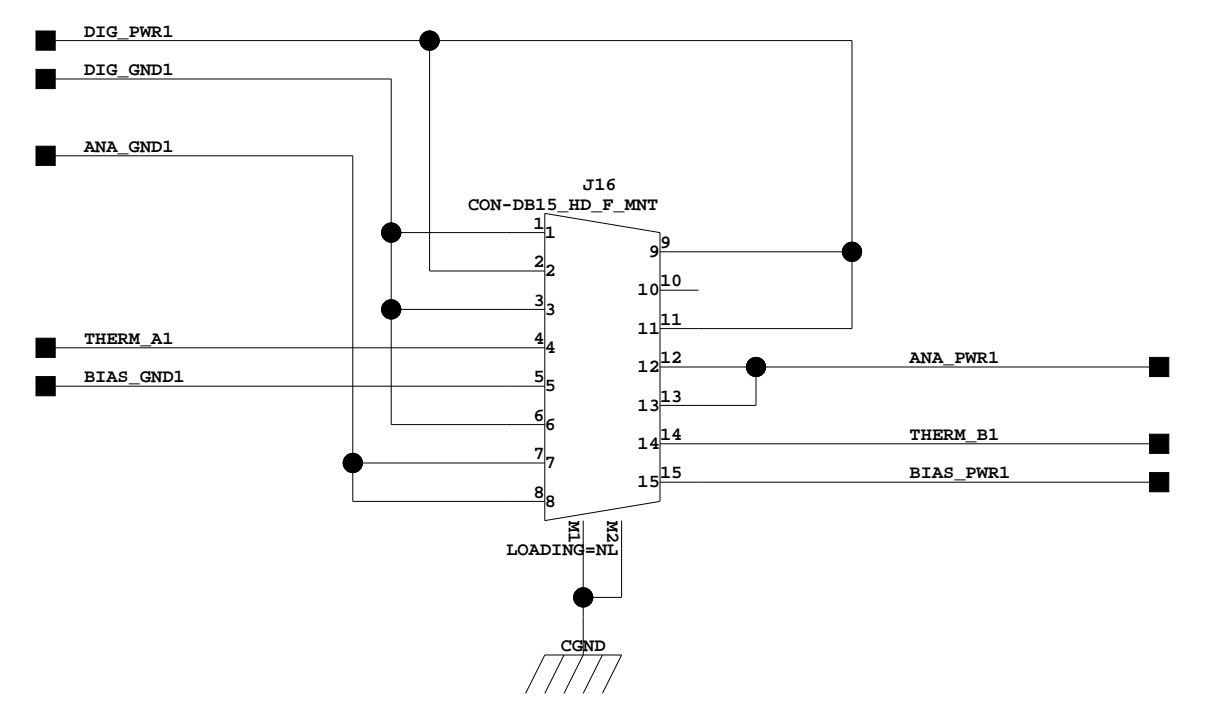
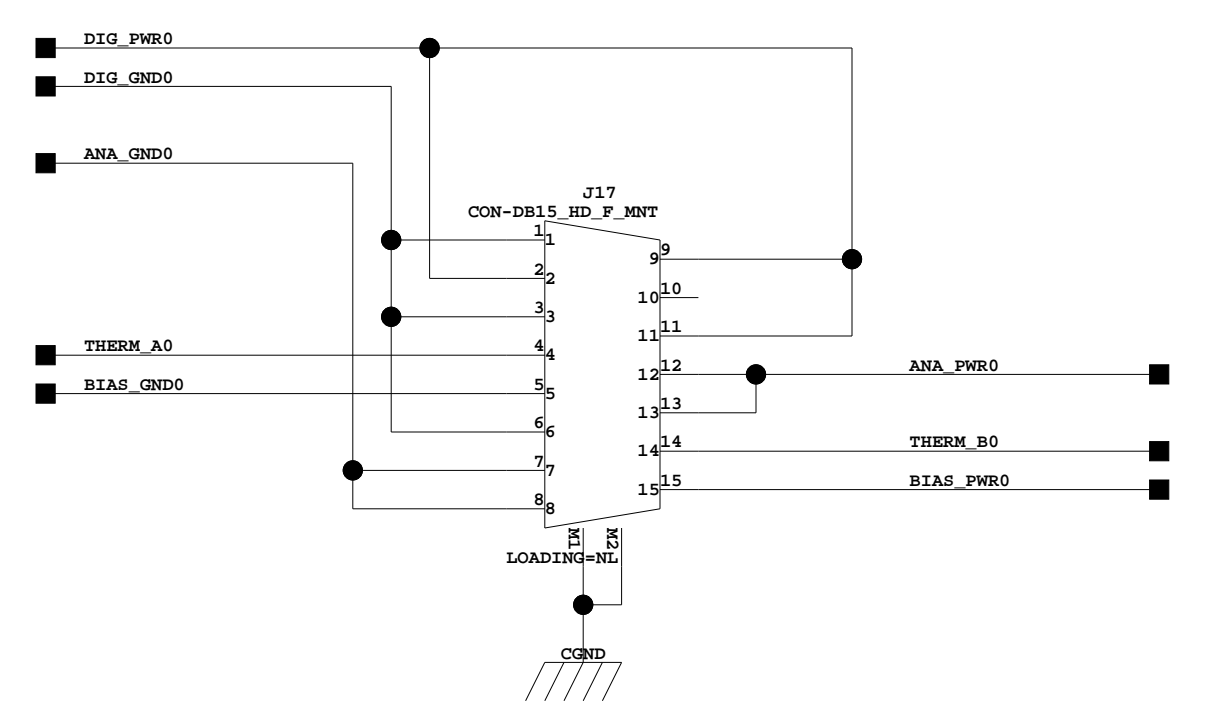
**CS-PAD POWER DISTRIBUTION
140K OUTPUTS**

LOCATED AT SHEET 1

SD-261-100-14-C01



- BIAS_PWR[3:0]
- BIAS_GND[3:0]
- DIG_PWR[3:0]
- DIG_GND[3:0]
- ANA_PWR[3:0]
- ANA_GND[3:0]

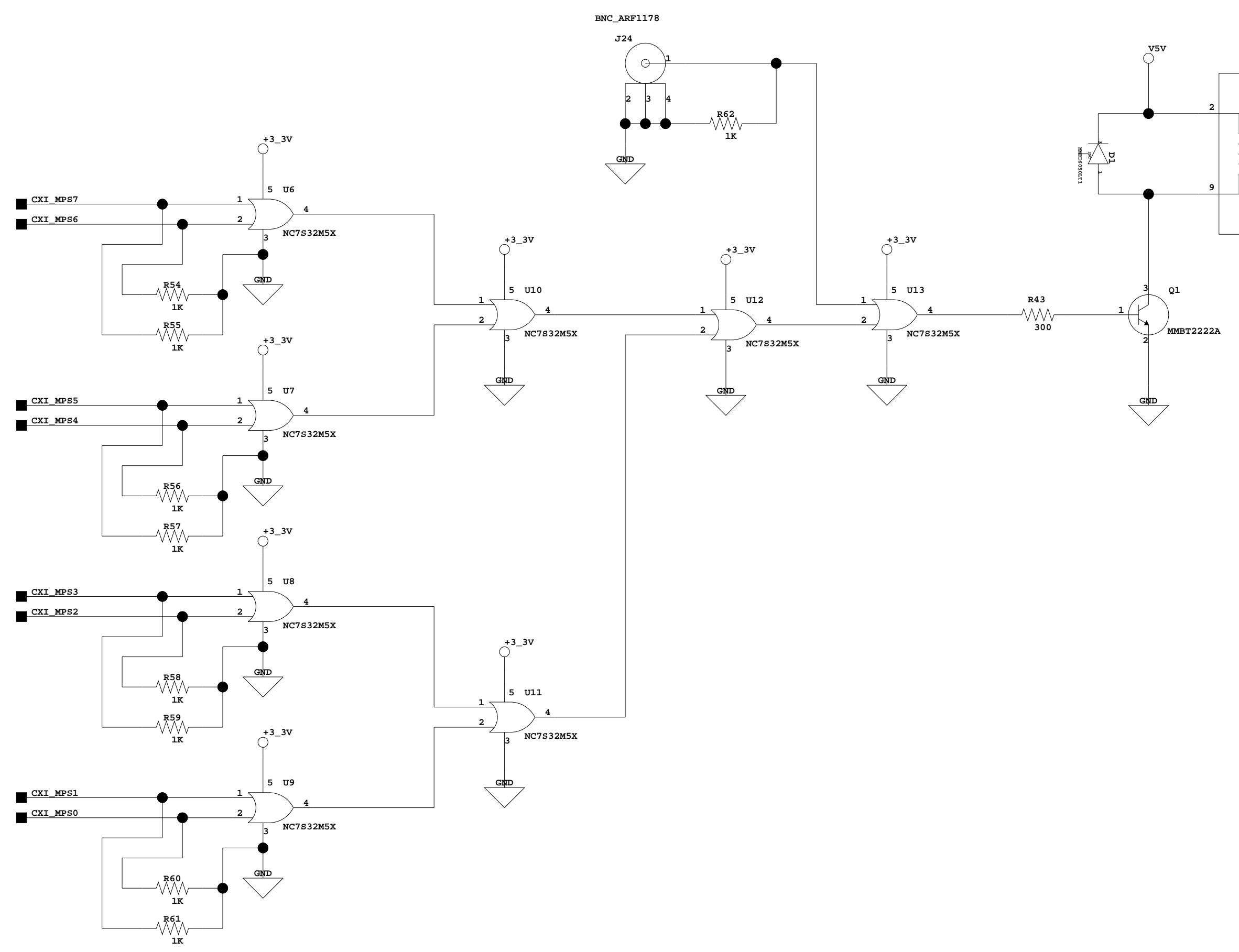
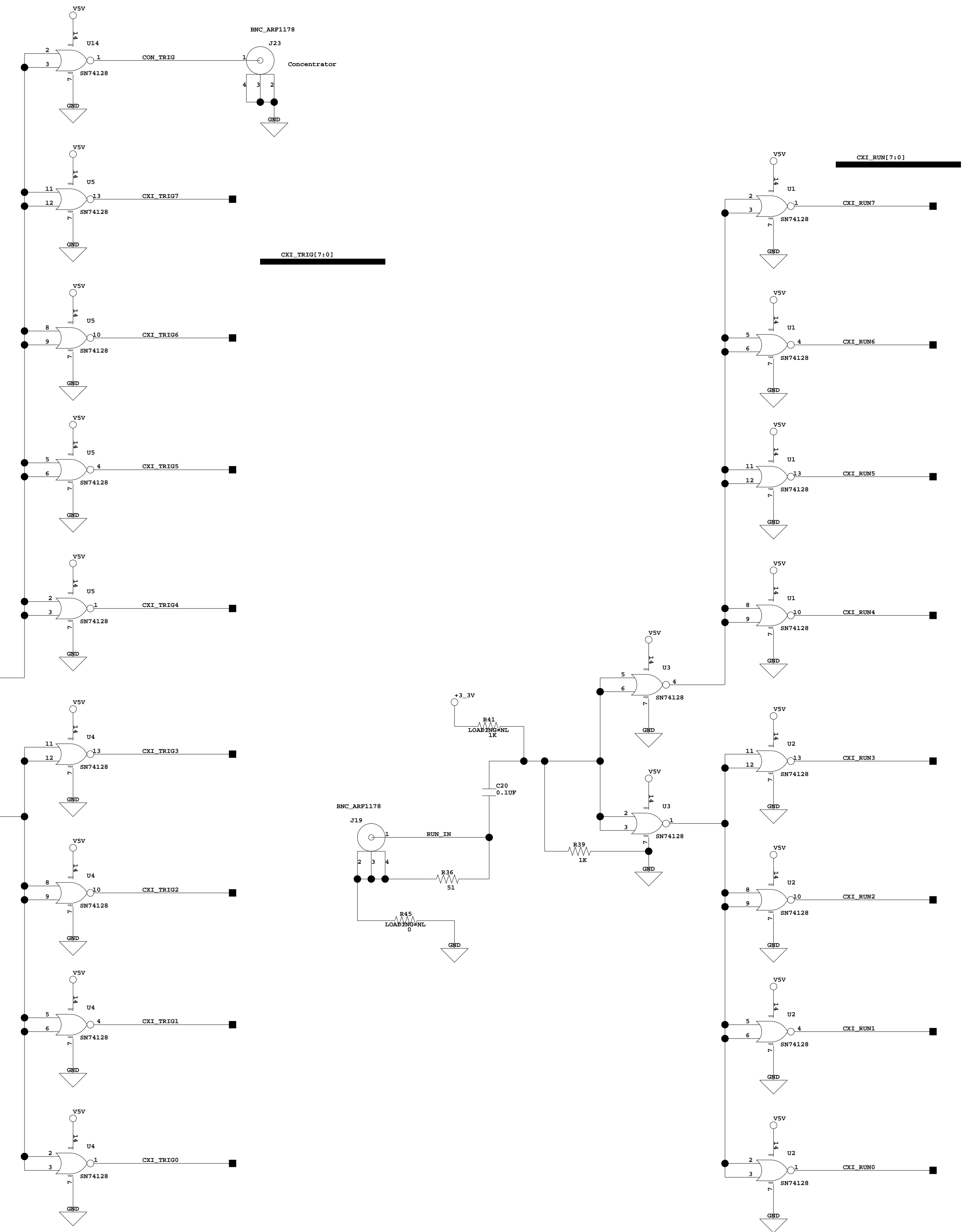
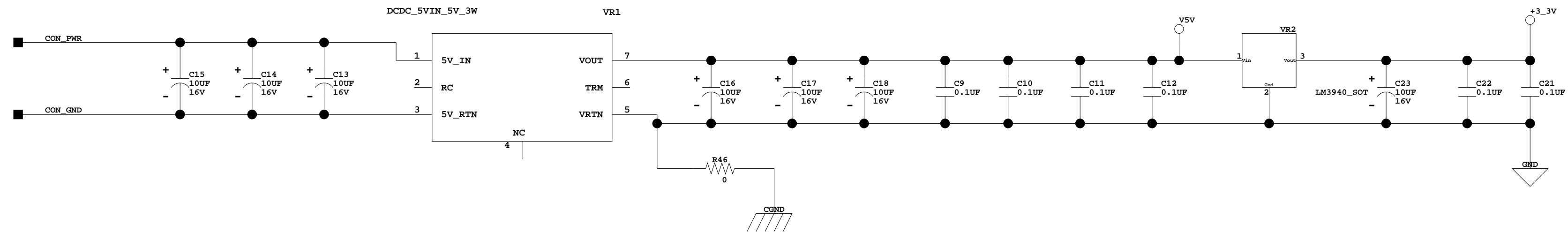


Place away from front panel. Pigtails to panel mount connectors

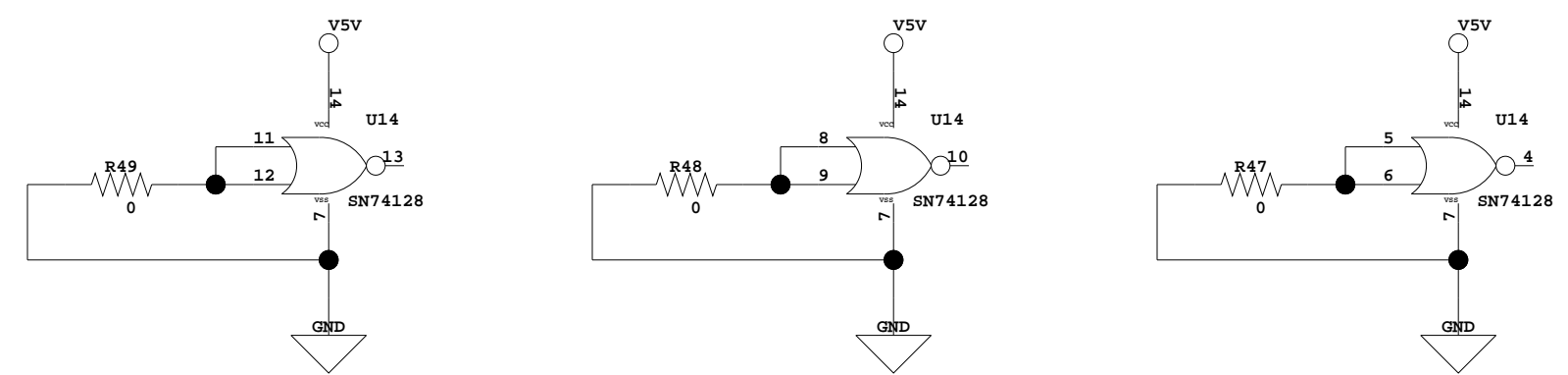
| | | |
|--|----------------------|------|
| STANFORD LINEAR ACCELERATOR CENTER U.S. DEPARTMENT OF ENERGY | | |
| STANFORD UNIVERSITY | STANFORD, CALIFORNIA | |
| <small>PROPRIETARY DATA OF STANFORD UNIVERSITY AND/OR U.S. DEPARTMENT OF ENERGY. RECIPIENT SHALL NOT PUBLISH THE INFORMATION WITHIN UNLESS GRANTED SPECIFIC PERMISSION OF STANFORD UNIVERSITY.</small> | | |
| ENGR | Sven Hettmann | 2012 |
| OPTR | | |
| CHGR | | |

| |
|--|
| SHEET 5 OF 6 |
| CS-PAD POWER DISTRIBUTION CSPAD OUTPUTS |
| LOCATED AT SHEET 1 |
| SD-261-100-14-C01 |





Place BNCs on edge of board away from panel



| | | |
|--|---------------|----------------------|
| STANFORD LINEAR ACCELERATOR CENTER U.S. DEPARTMENT OF ENERGY | | |
| STANFORD UNIVERSITY | | STANFORD, CALIFORNIA |
| <small>PROPRIETARY DATA OF STANFORD UNIVERSITY AND/OR U.S. DEPARTMENT OF ENERGY. RECIPIENT SHALL NOT PUBLISH THE INFORMATION WITHIN UNLESS GRANTED SPECIFIC PERMISSION OF STANFORD UNIVERSITY.</small> | | |
| DRR | Sven Hettmann | DATE |
| DFR | | 2012 |
| CDR | | |
| APPROVALS | | |

| | |
|---|--|
| SHEET 6 OF 6 | |
| CS-PAD POWER DISTRIBUTION DIGITAL DISTRIBUTION | |
| LOCATED AT SHEET 1 | |
| SD-261-100-14-C01 | |

