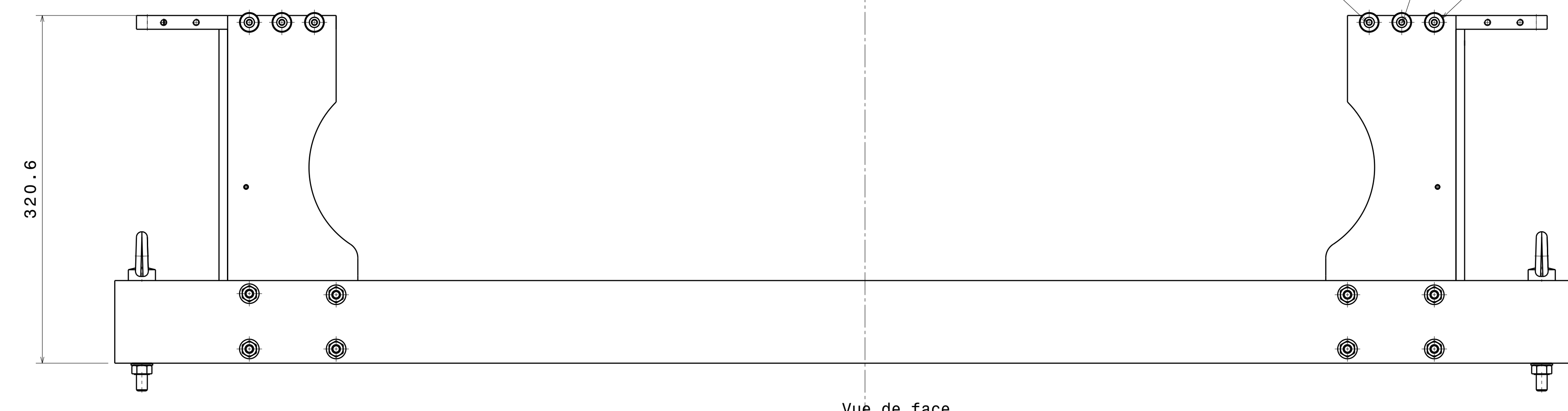
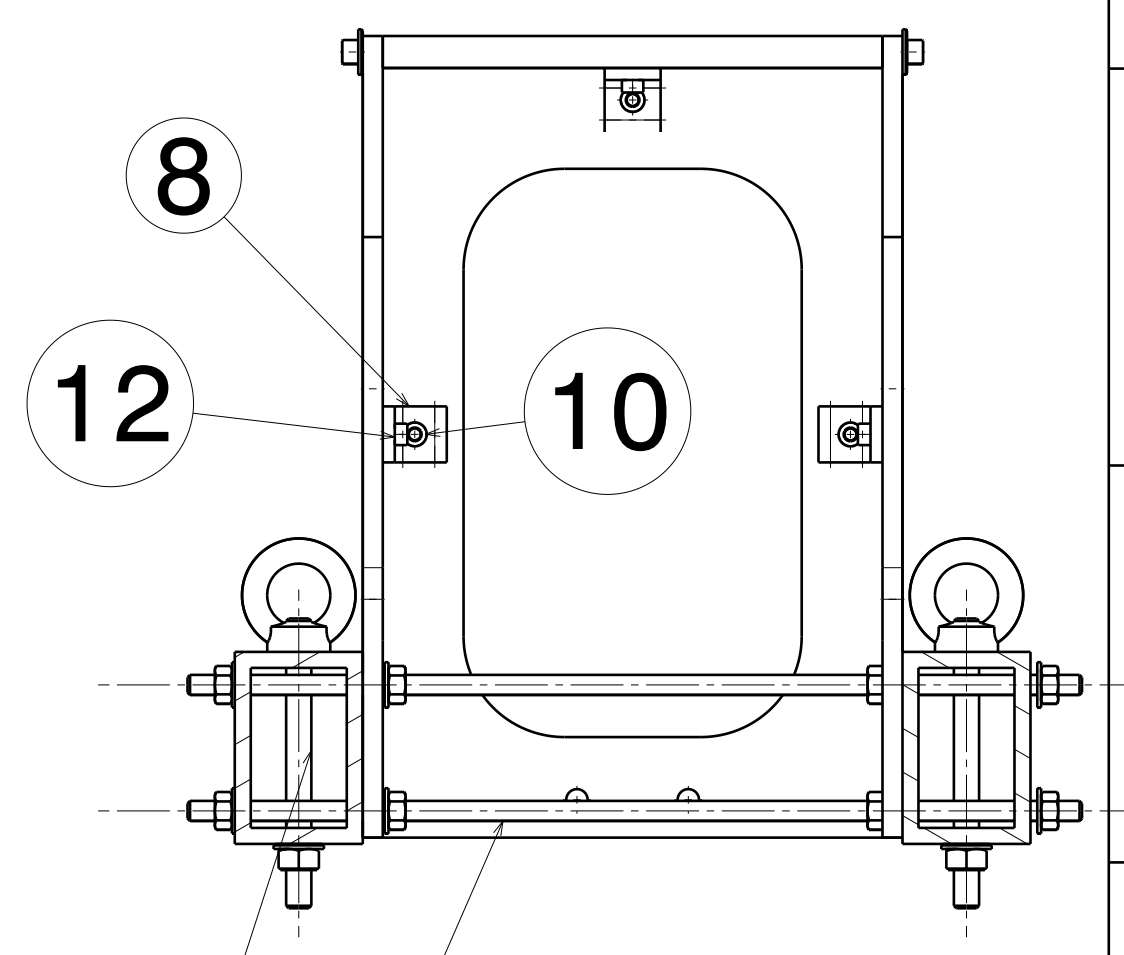


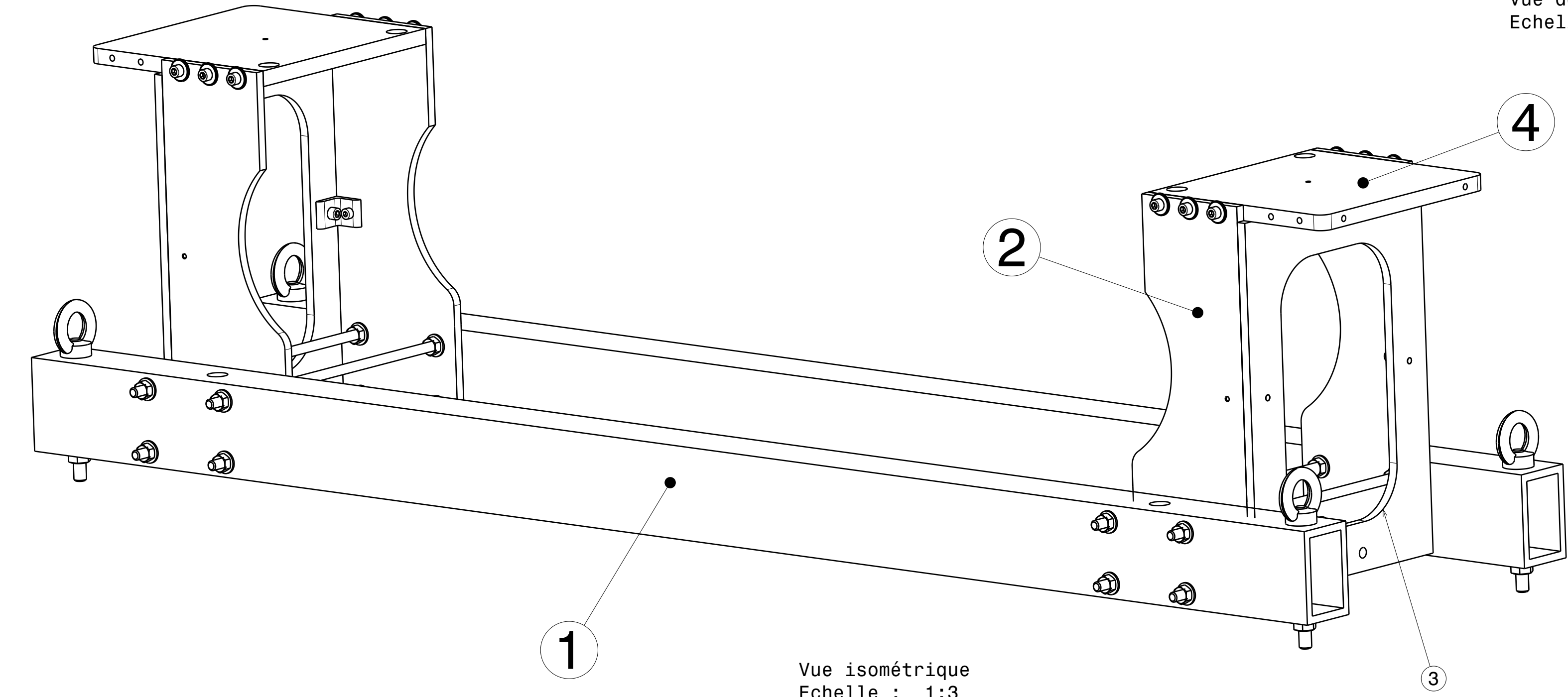
Vue de droite
Echelle : 1:3



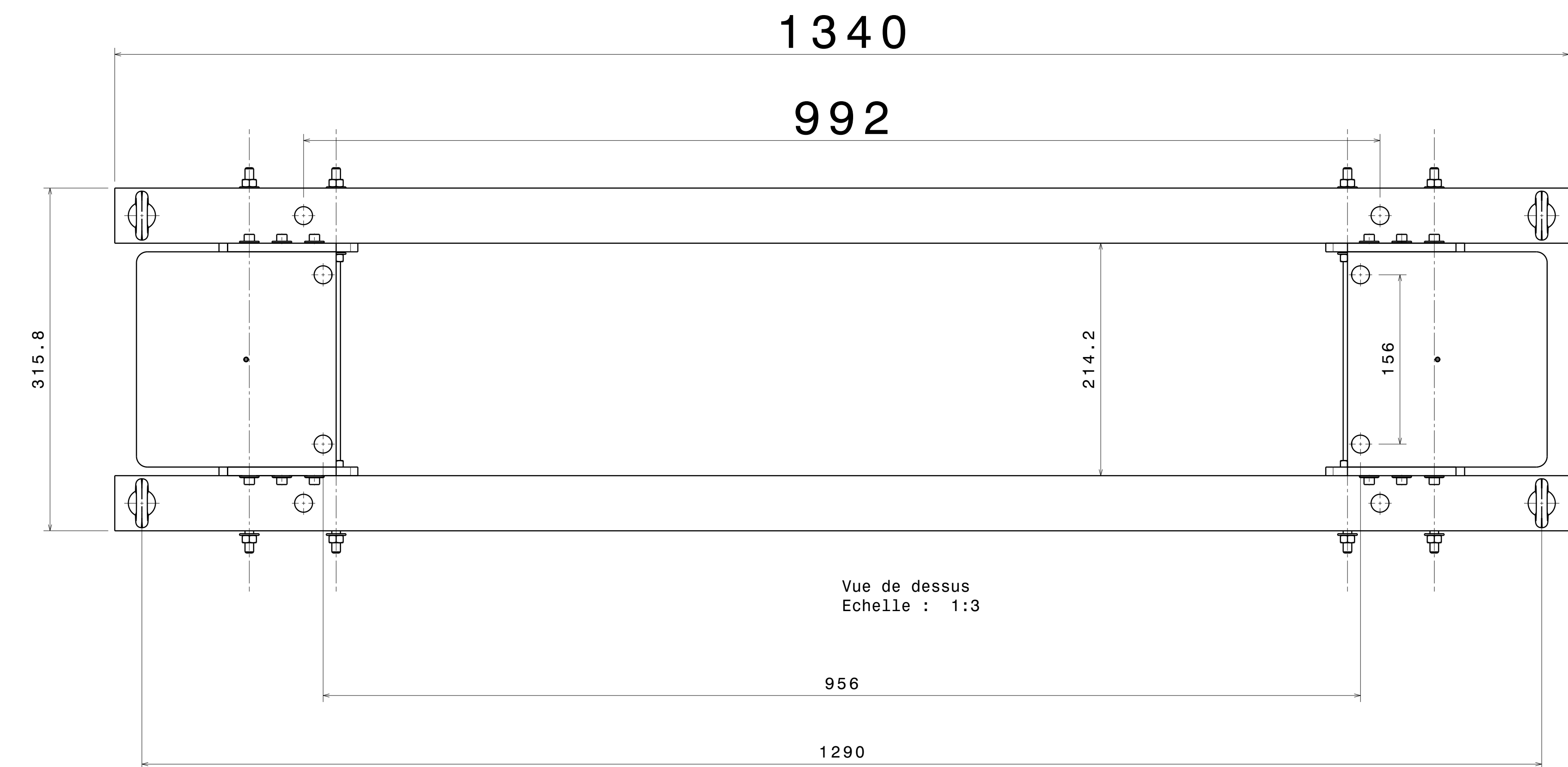
Vue de face
Echelle : 1:3



Coupe A-A
Echelle : 1:3



Vue isométrique
Echelle : 1:3



Vue de dessus
Echelle : 1:3

Remark: dimensions are given in mm
For more informations send an e-mail to:
rindel@ipno.in2p3.fr

Item	quantity	detail drawing
1 Aluminum profile 80 x 50 Thickness 5 x 1340mm	2	231 M 85
2 Ecal support Side plate	4	231 M 80
3 Ecal support reinforcement plate	2	231 M 81
4 Ecal support base plate	2	231 M 82
7 ss304 threaded rod 5/16"-18 x 355mm + 4 washers d8 +4 nuts 5/16-18	8 kits	Bene Inox
8 2 hole slotted inside corner bracket no. 4265	6	80/20
9 ss304 threaded rod M12 x 130mm +2 nuts M12+2 washers d12 + eyebolt M12	4 kits	Provided by IPN Orsay
10 SHCS screw 1/4- 1/2 no. 3689	4	80/20
11 SHCS ss 304 screw 1/4" - 3/4" no. 3691	32	Bene inox
12 SHCS screw 10-32 x 1/2 no. 3695 or M5 x 12	6	80/20
13 washer d6	44	Bene inox

All screws nuts and washers made of stainless steel (near a magnet)

	Projet: A9H	Etat à réaliser:	Mise en:	Tel Générat:	Etat de surface:	Date:
	Echelle: 1:3			ISO 2768-mK		04/06/14
231 E 26 1		231 E 31 1/1		Bottom Ecal support		