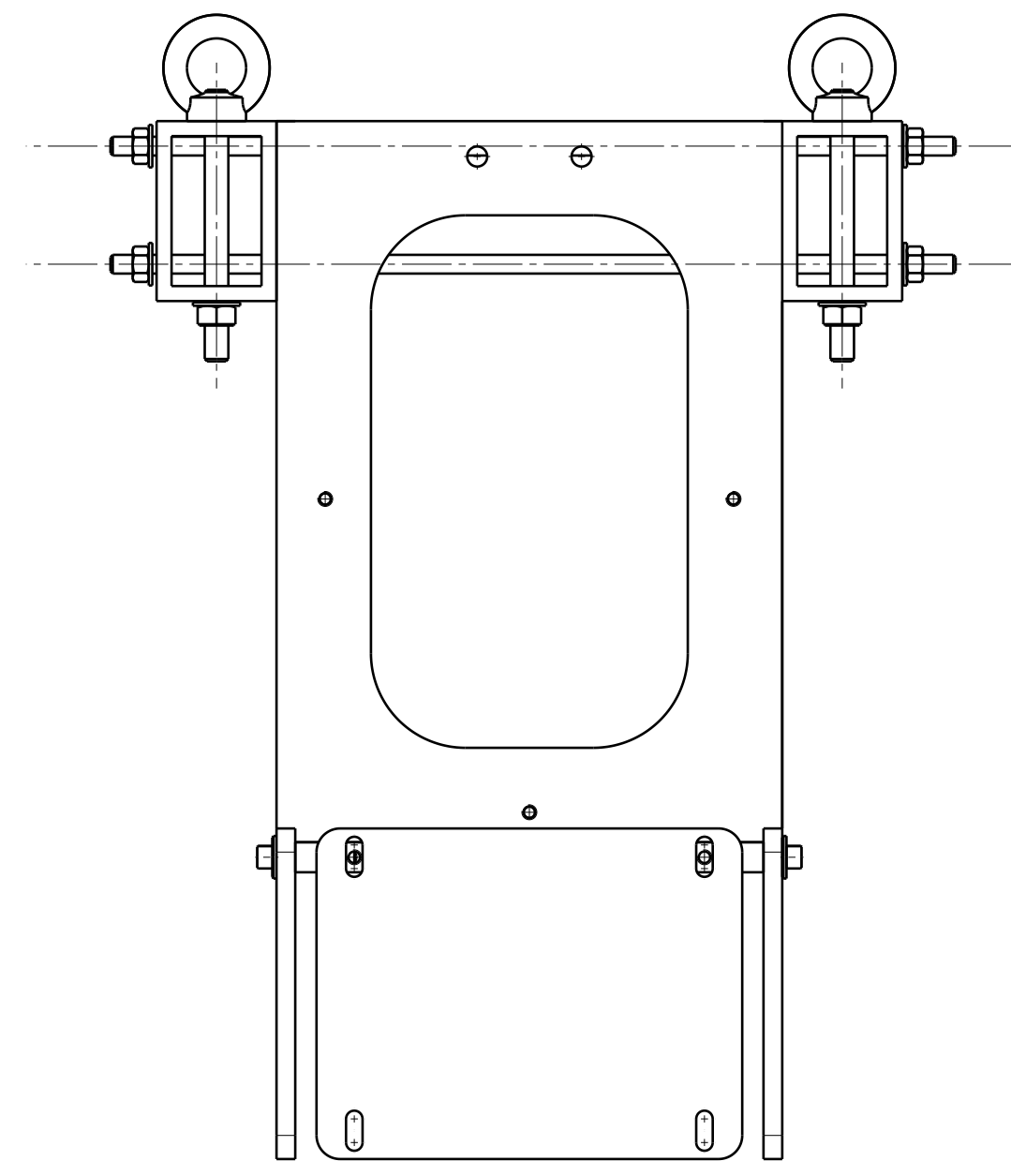
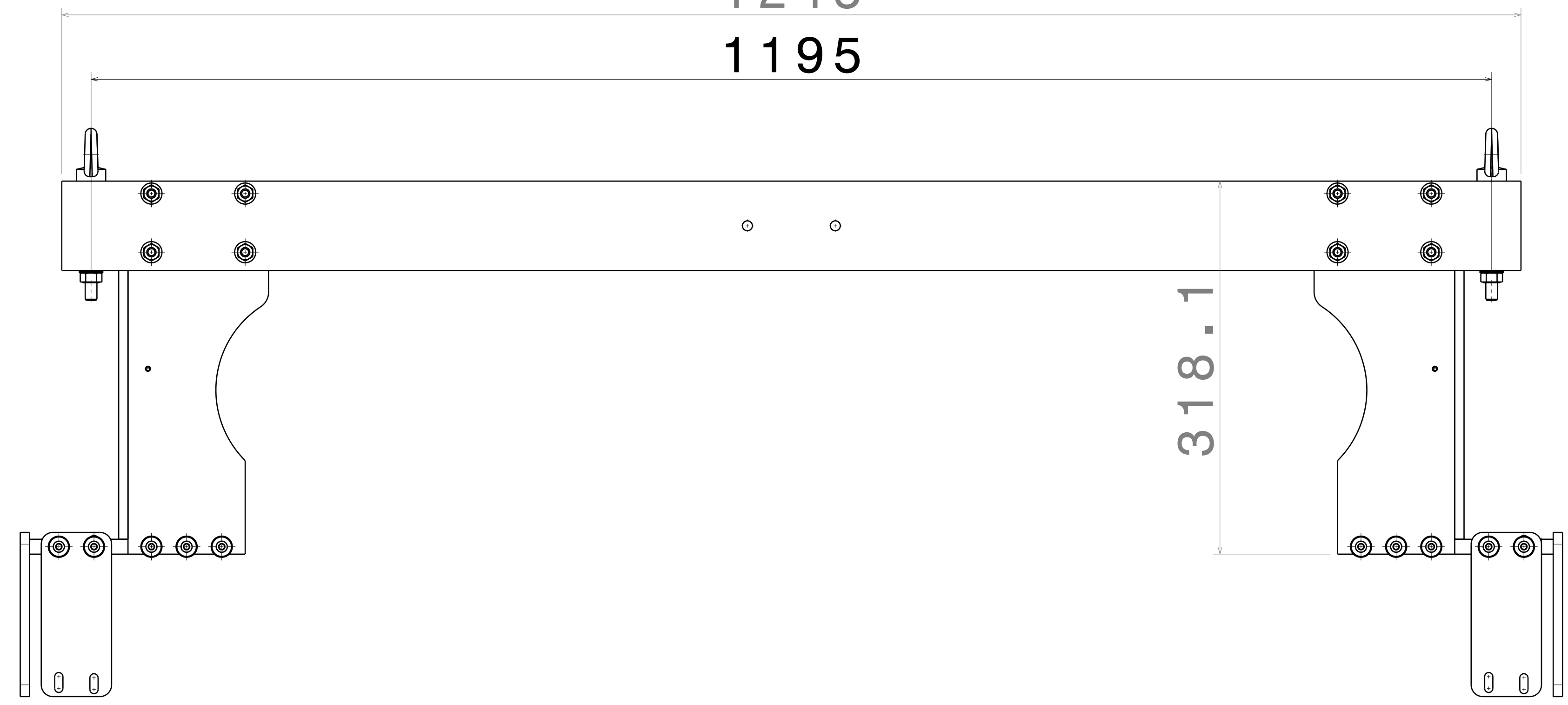


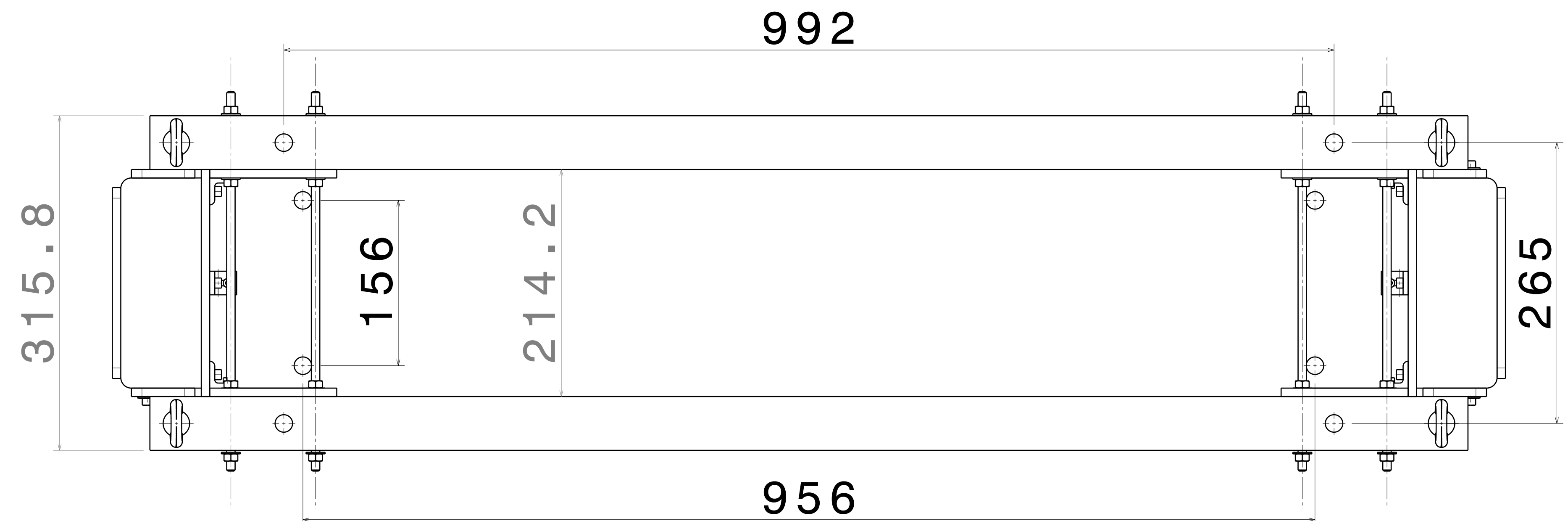
Vue isométrique
Echelle : 1:3



Vue de droite
Echelle : 1:3



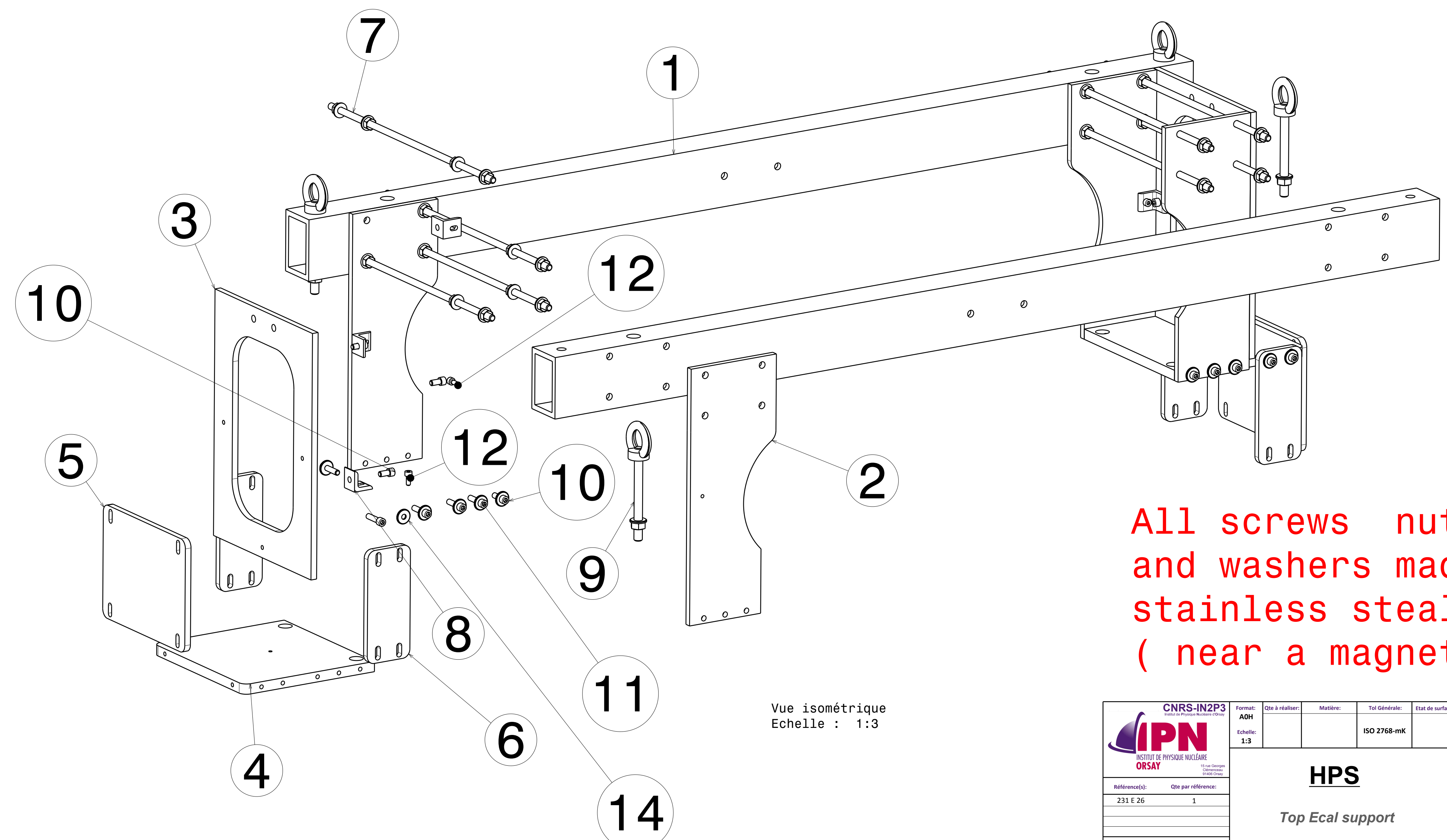
Vue de face
Echelle : 1:3



Vue de dessus
Echelle : 1:3

Remark: dimensions are given in mm
For more informations send an e-mail to:
rindel@ipno.in2p3.fr

Item	quantity	furniture	detail drawing
1 Aluminum profile 80 x 50 Thickness 5mm	2		231 M 79
2 Ecal support Side plate	4		231 M 80
3 Ecal support reinforcement plate	2		231 M 81
4 Ecal support base plate	2		231 M 82
5 connecting Top-bottom part A	2		231 M 83
6 connecting Top-bottom part B	4		231 M 84
7 ss304 threaded rod 5/16"-18 x 355mm + 4 washers d8 +4 nuts 5/16-18	8 kits	Bene Inox	
8 2 hole slotted inside corner bracket no. 4265	6	80/20	
9 ss304 threaded rod M12 x 130mm +2 nuts M10+2 washers d12 + eyebolt M12	4 kits	provided by IPN Orsay	
10 SHCS screw 1/4- 1/2 no. 3689	4	Bene inox	
11 SHCS ss 304 screw 1/4" - 3/4" no. 3691	32	Bene inox	
12 SHCS screw 10-32 x 1/2 no. 3695 or M5 x 12	6	Bene Inox	
13 washer d6	44	Bene Inox	



Vue isométrique
Echelle : 1:3

All screws nuts and washers made of stainless steel (near a magnet)

 IPN INSTITUT DE PHYSIQUE NUCLEAIRE ORSAY	Projet: CNRS-IN2P3	Date: 04/06/14
	Client: ADH	Maître: RDB
Echelle: 1:3	ISO 2768-mK	
HPS		
Top Ecal support		
Révisé par: 1 231 E 26	Dessiné par: Mr. Rindel Vérifié par: Mr. Rospert	231 E 30 1/1