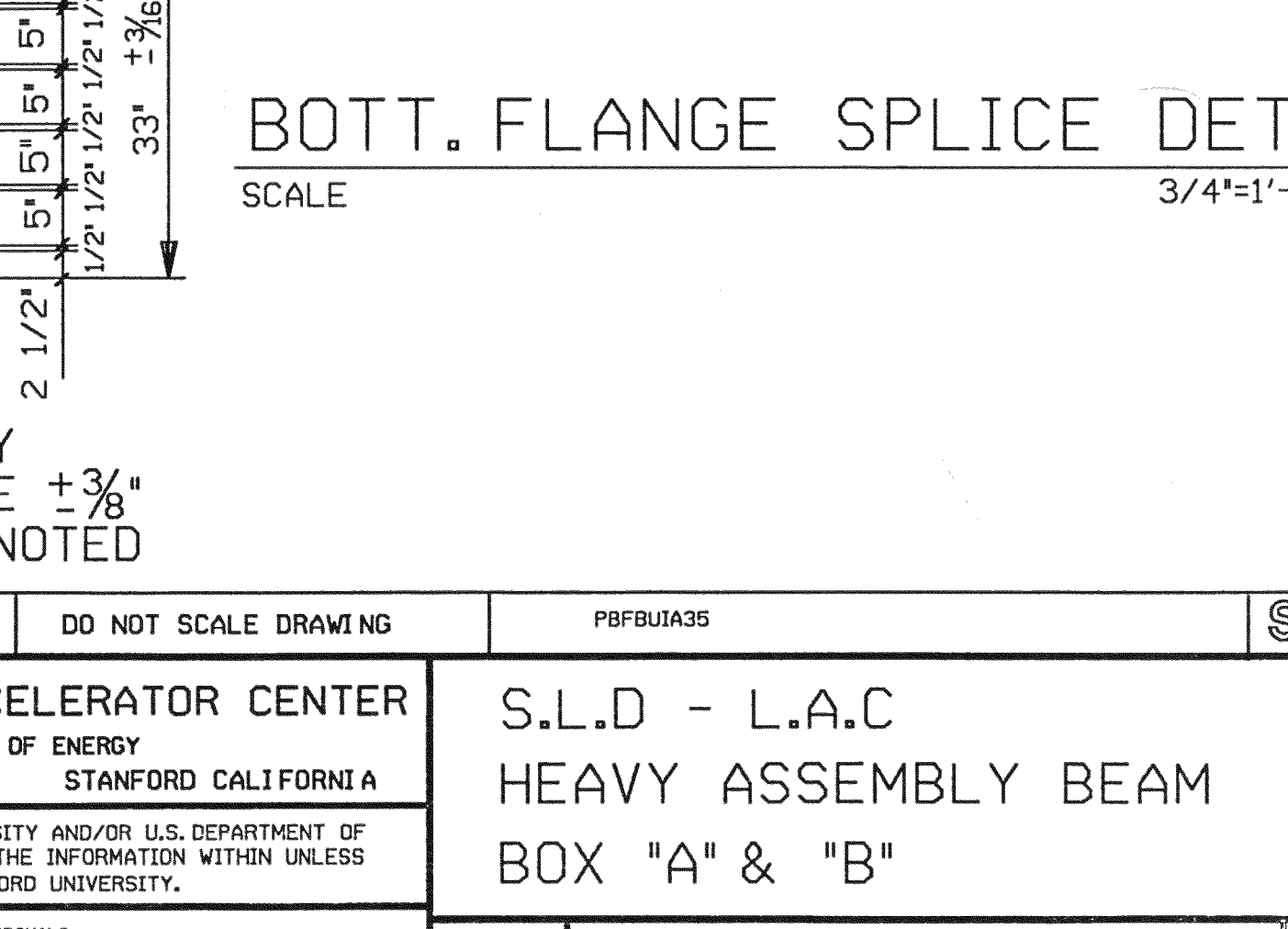
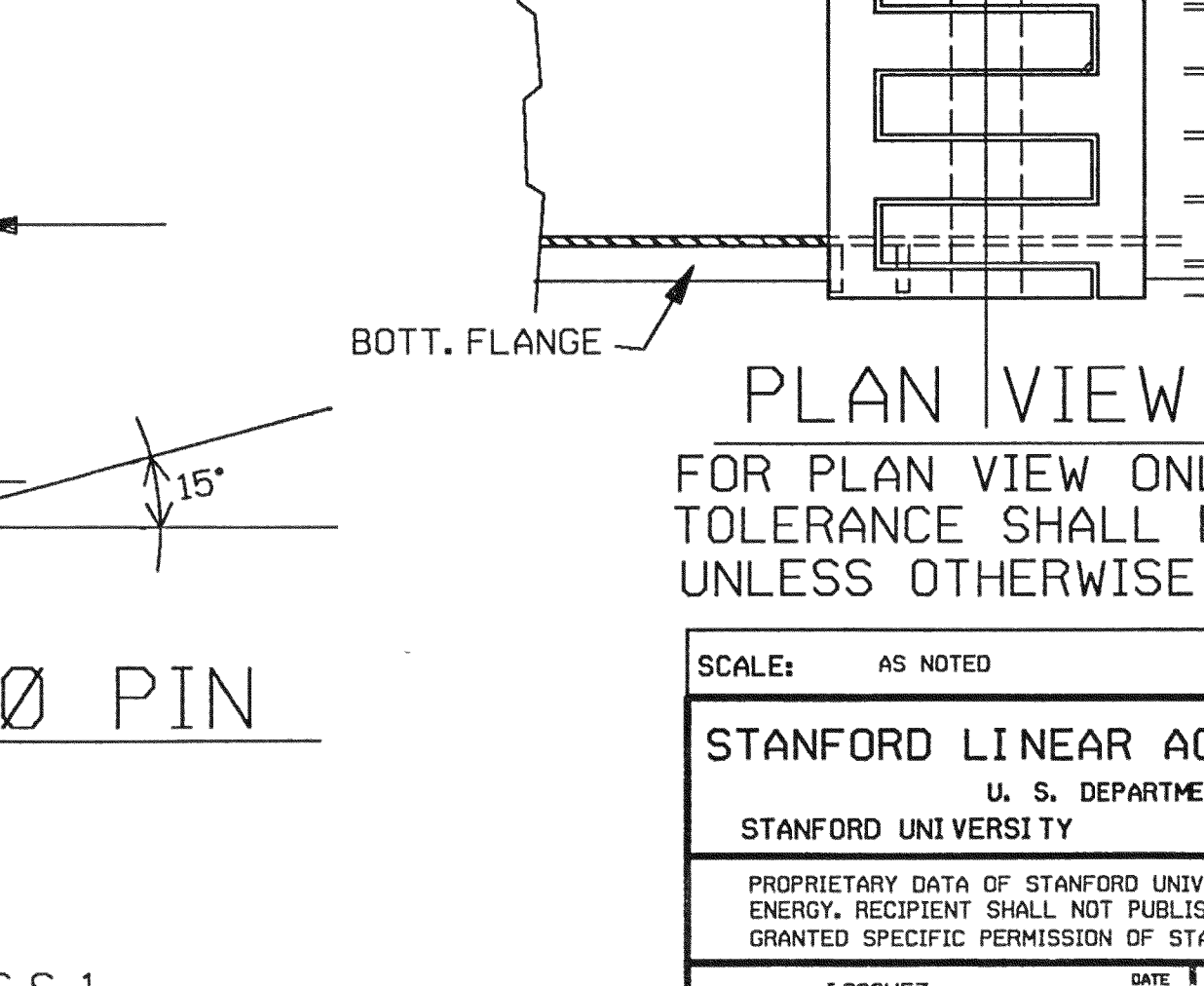
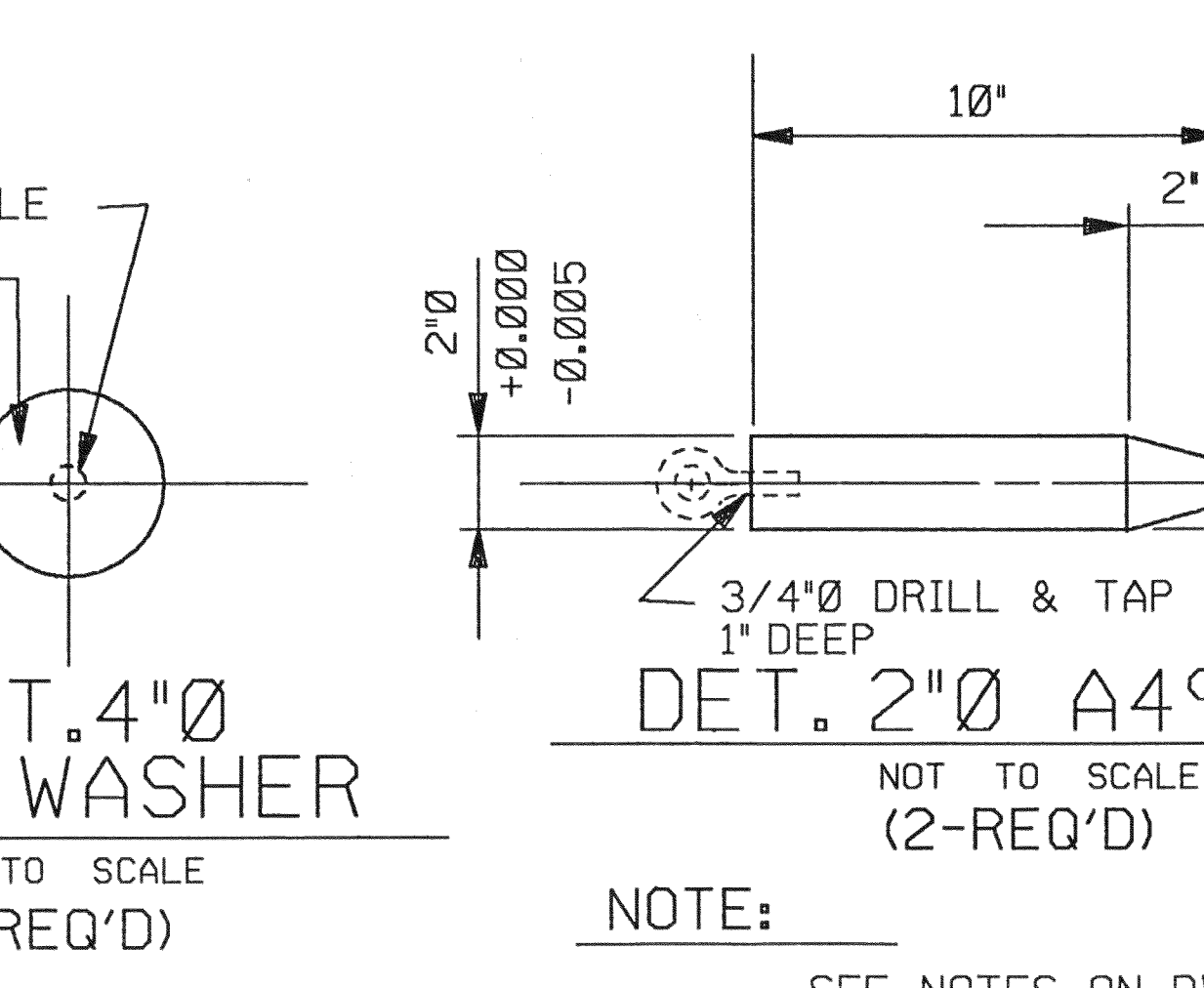
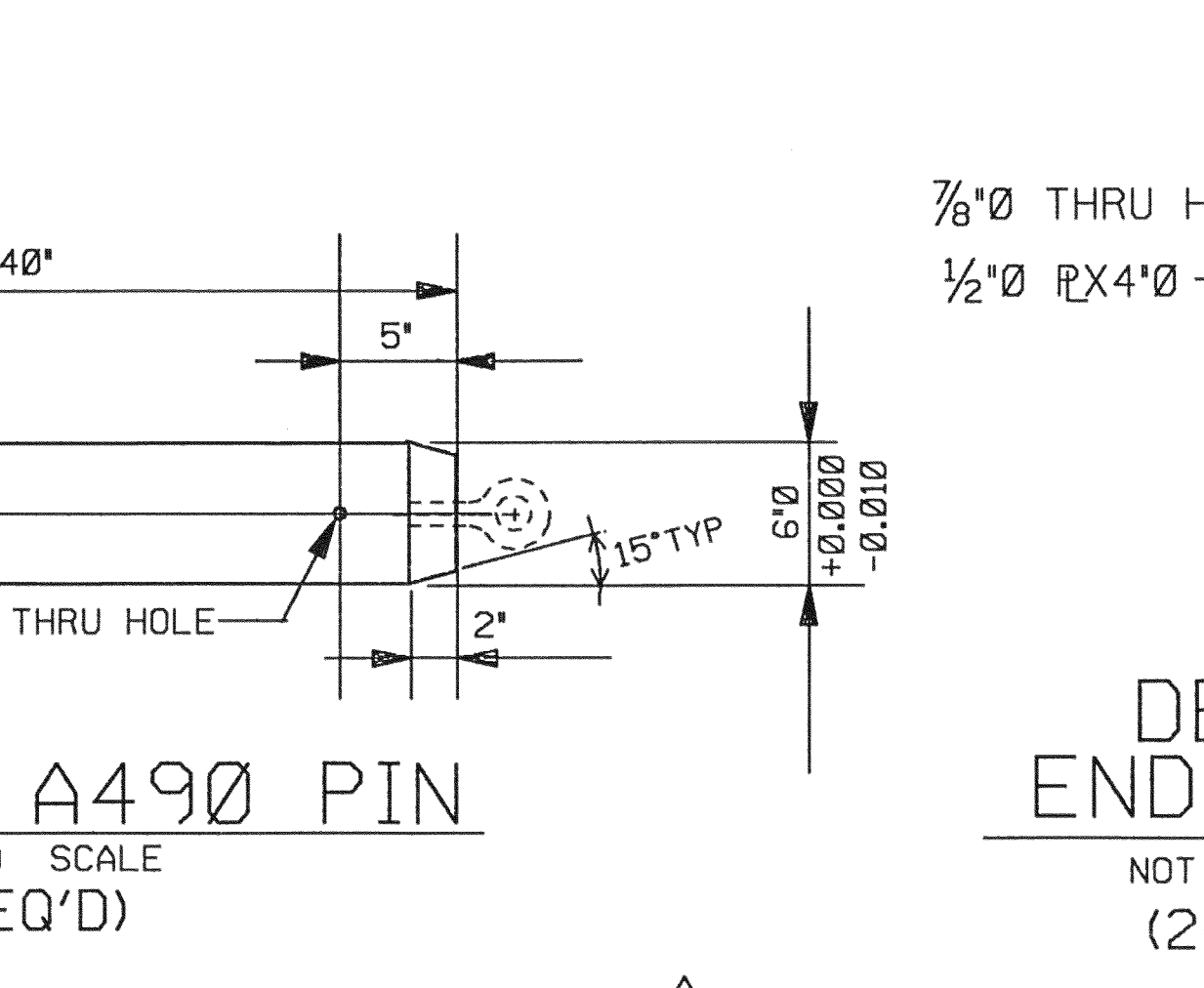
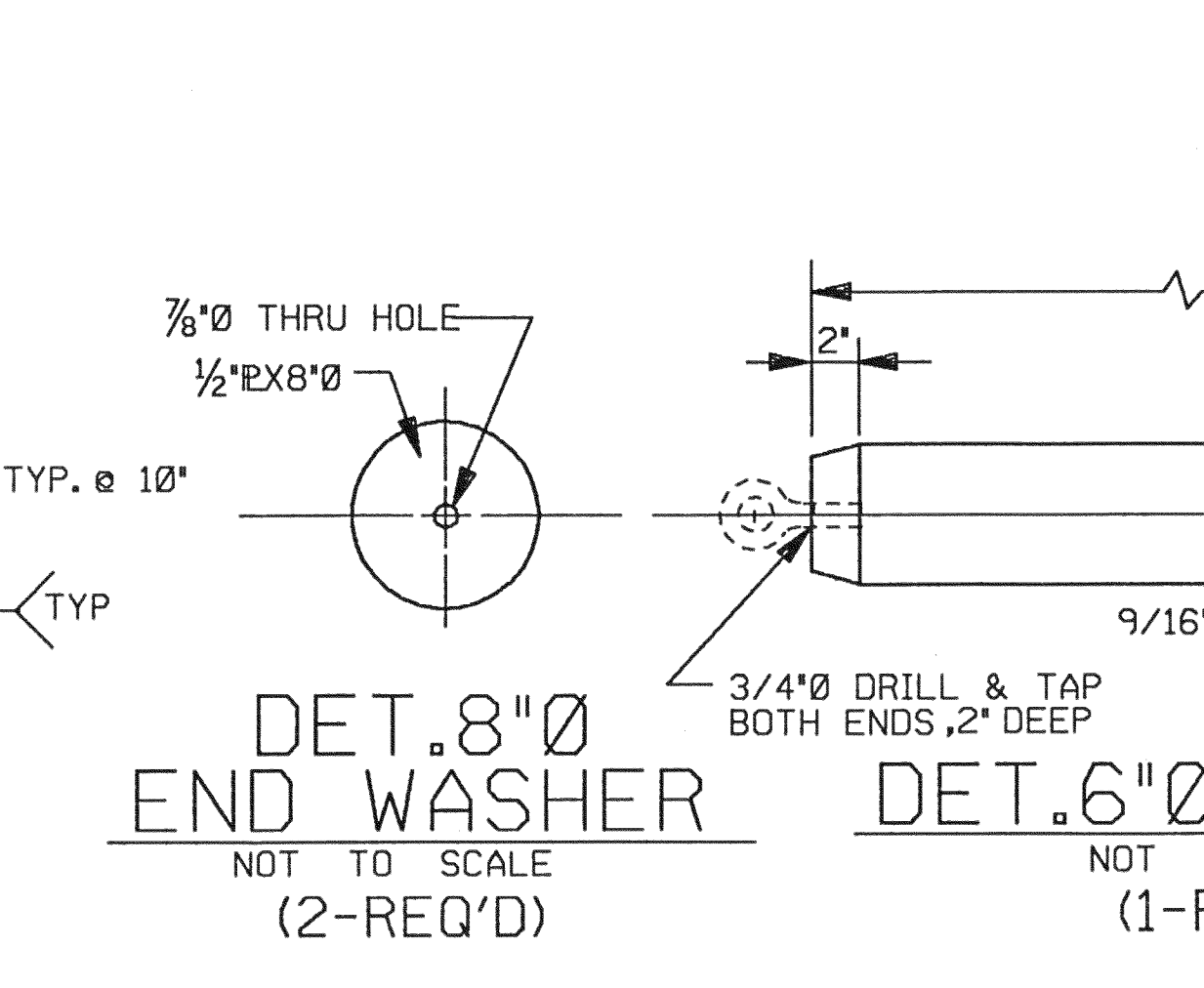
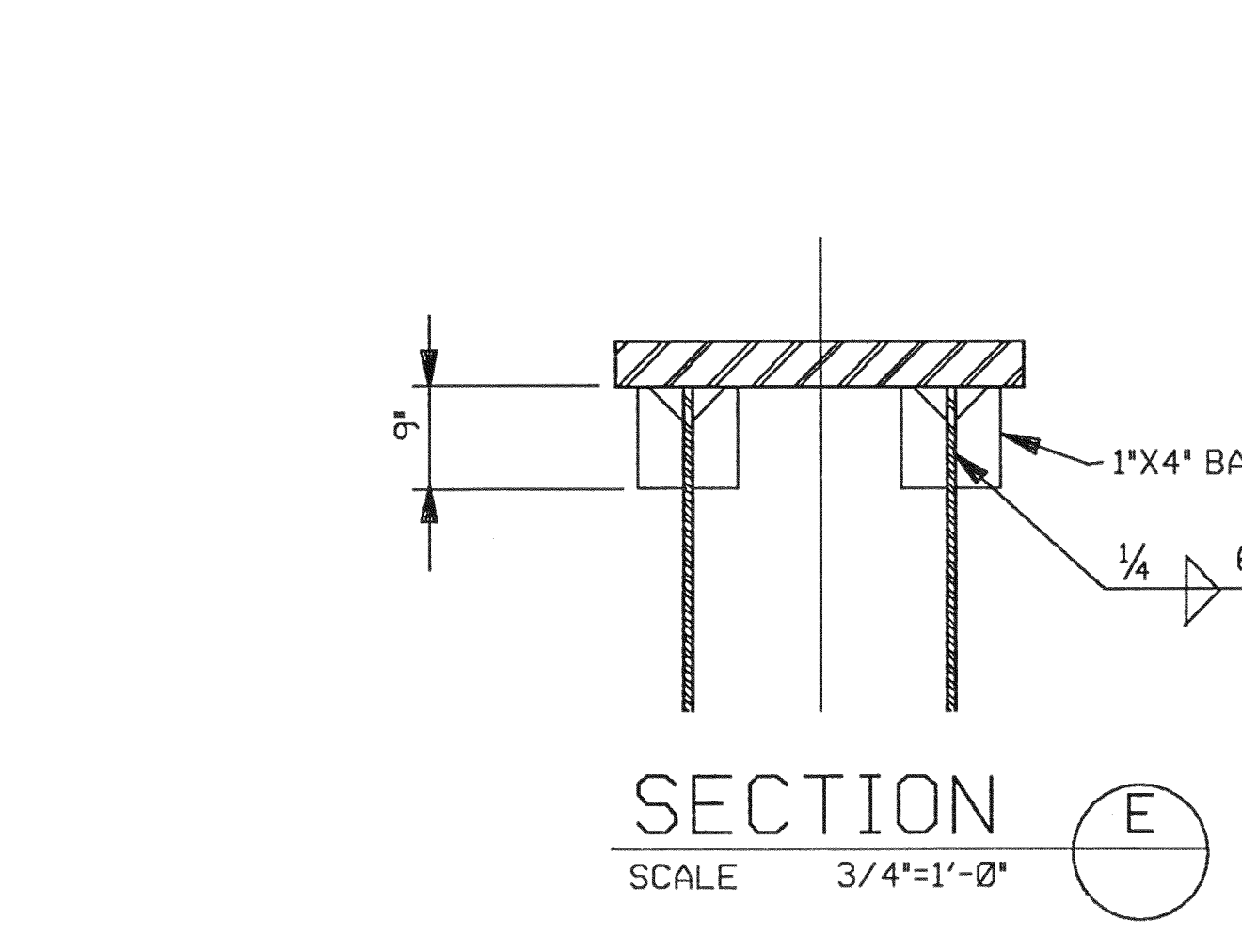
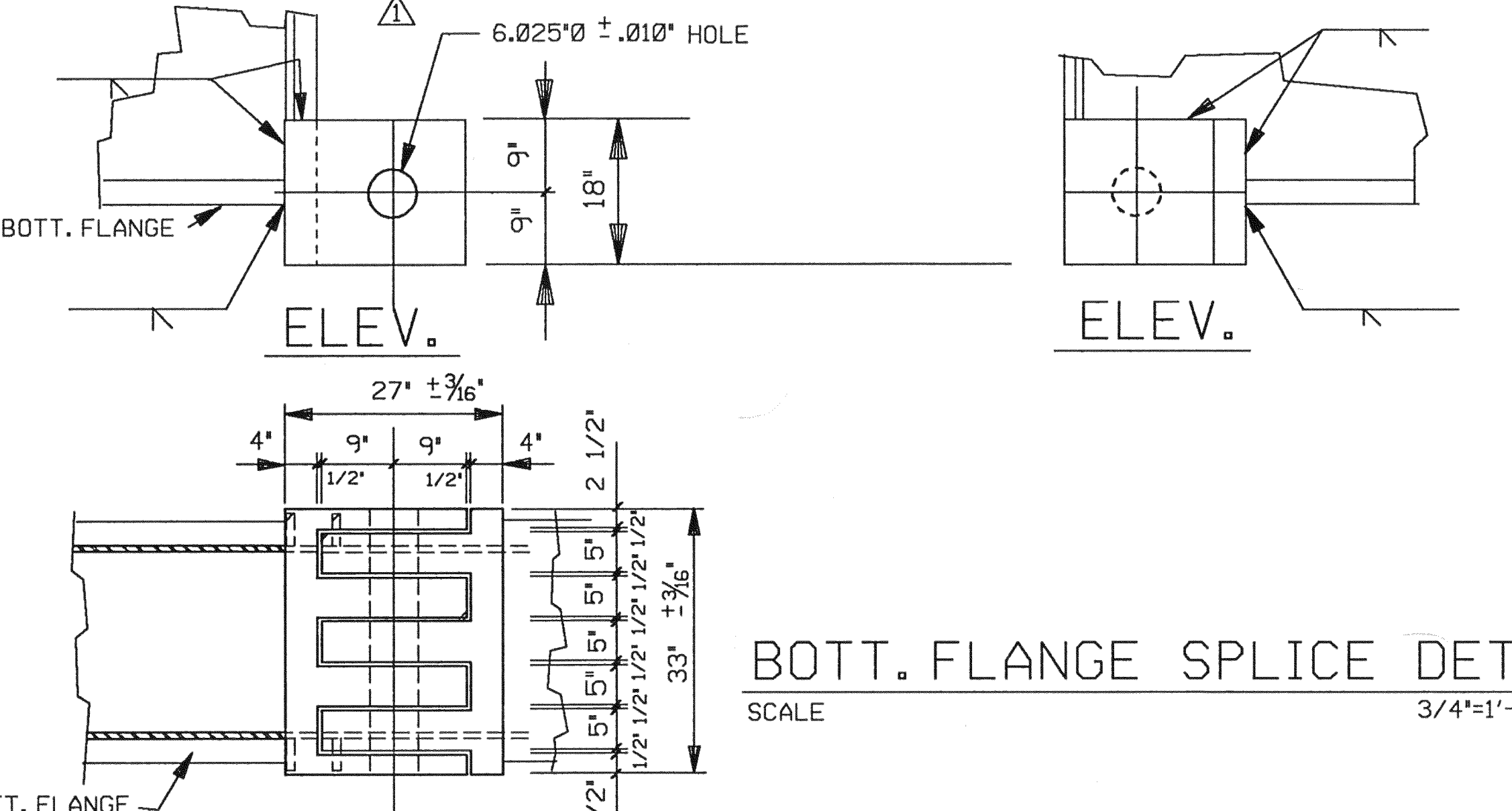
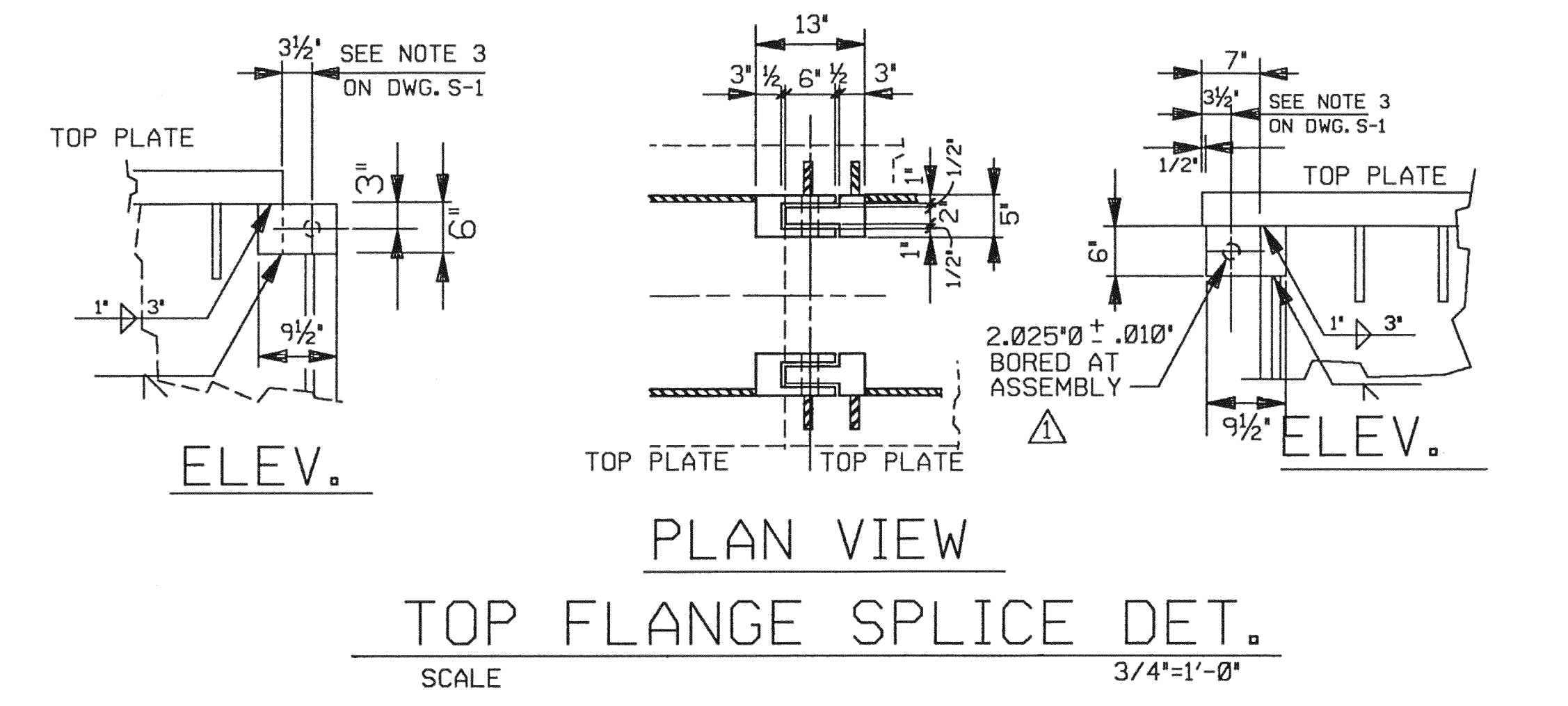
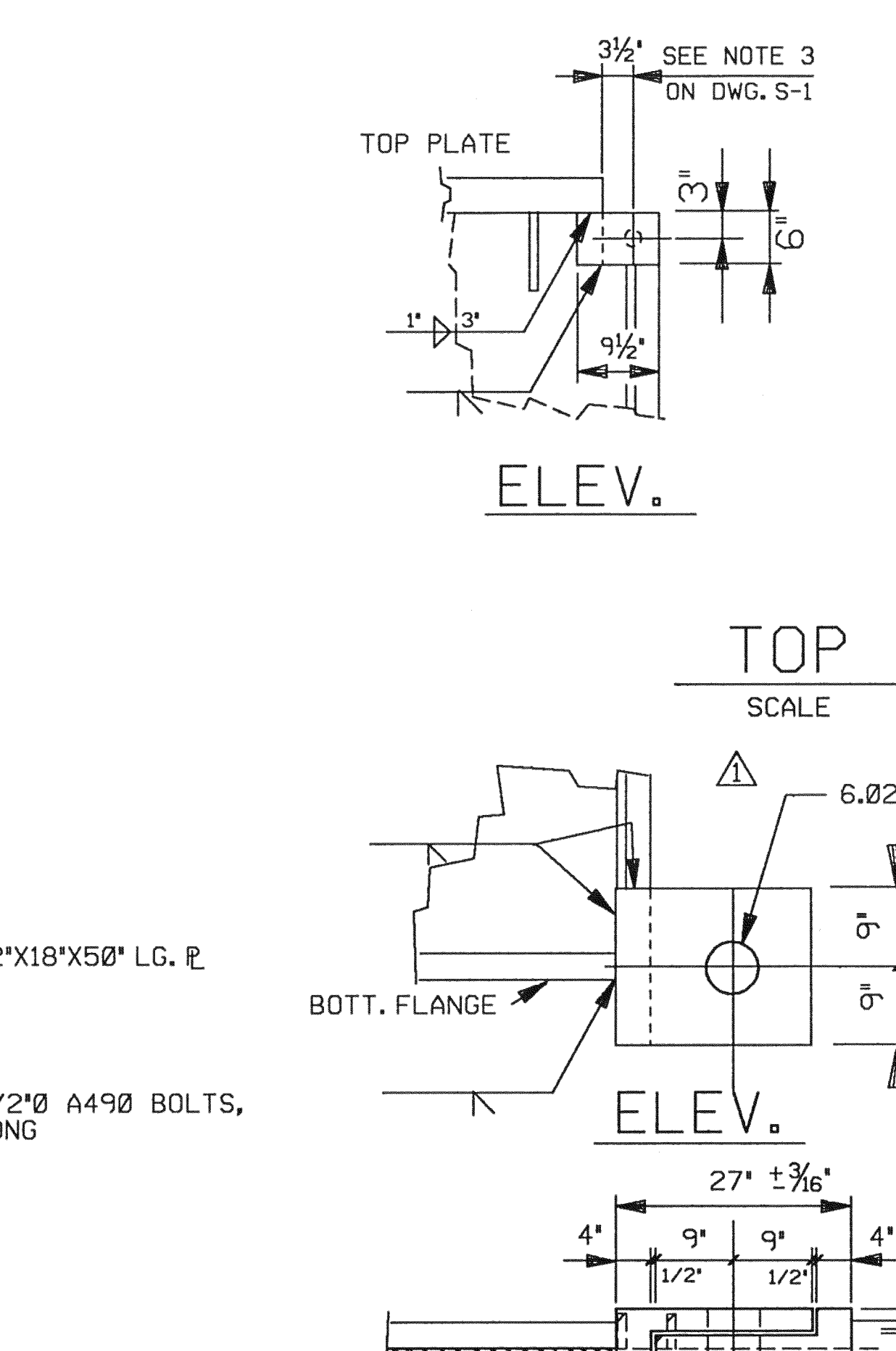
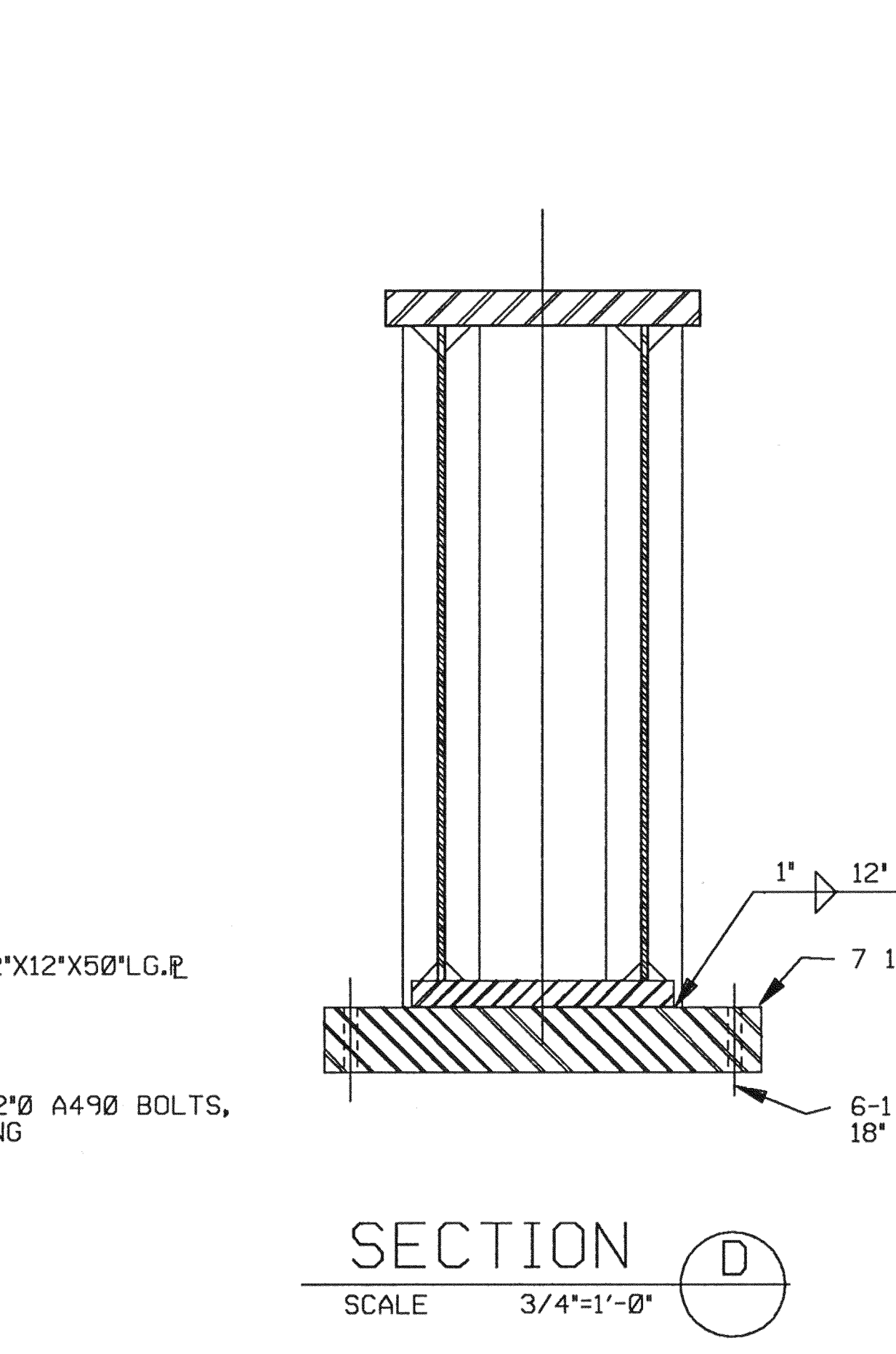
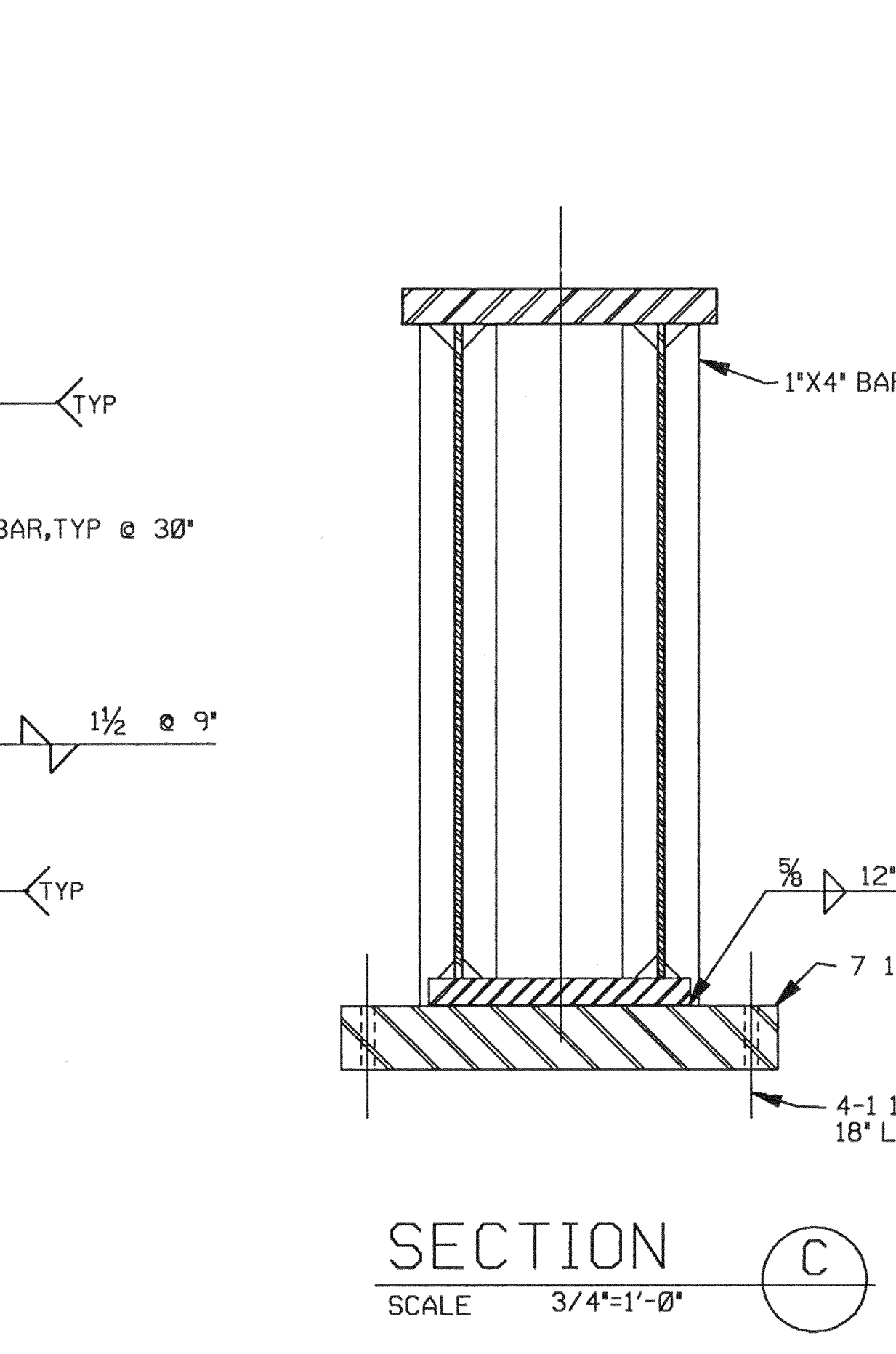
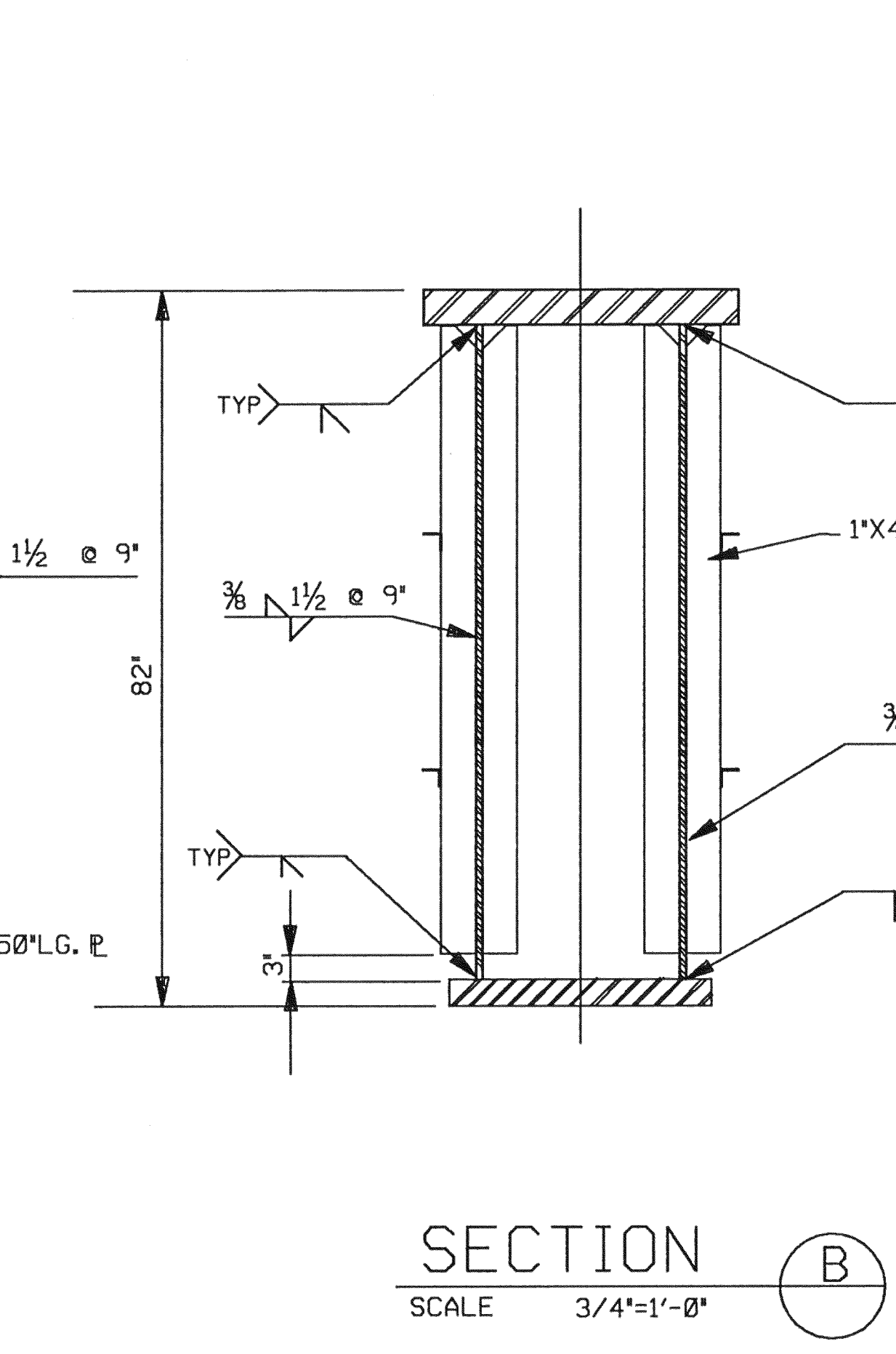
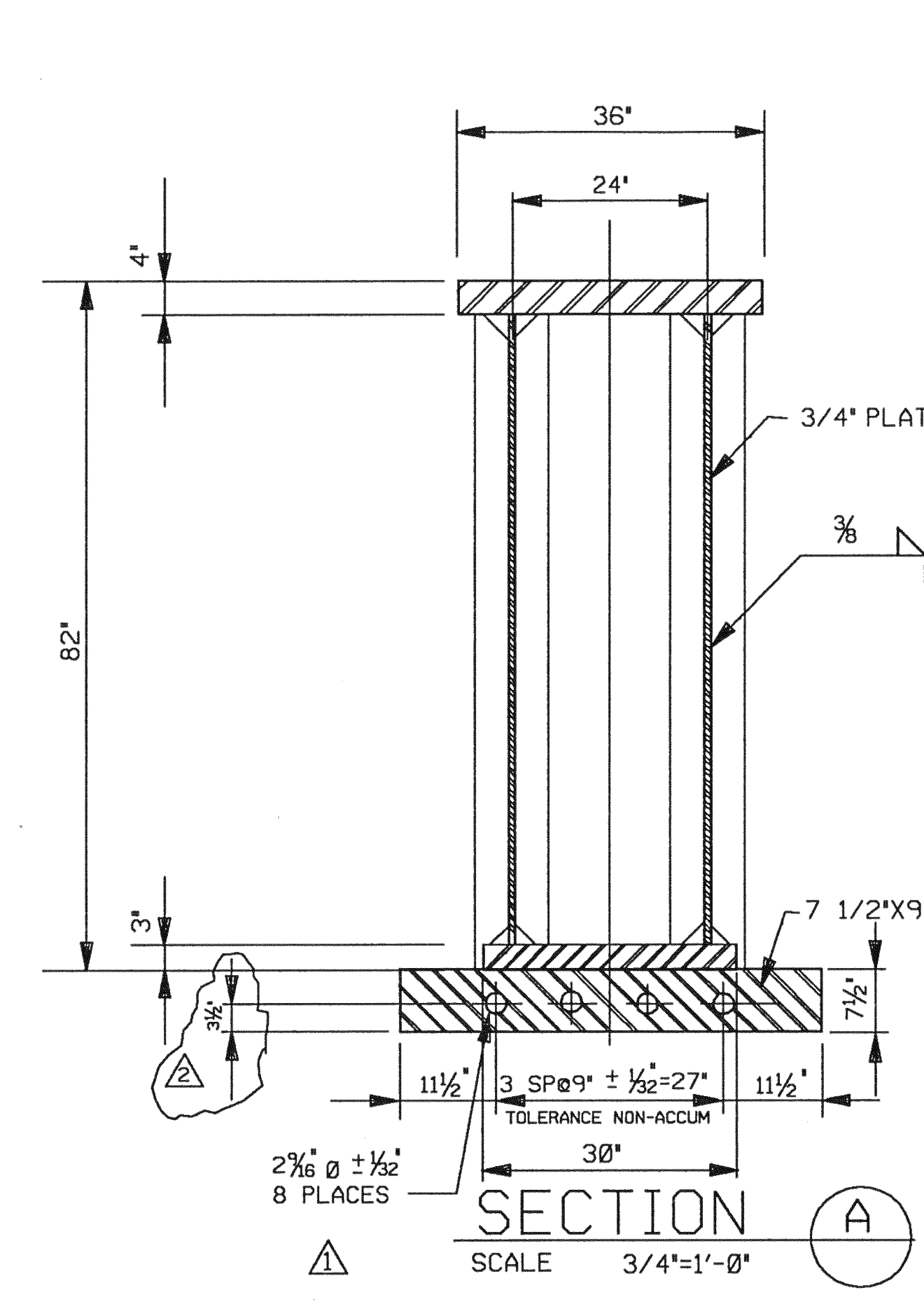
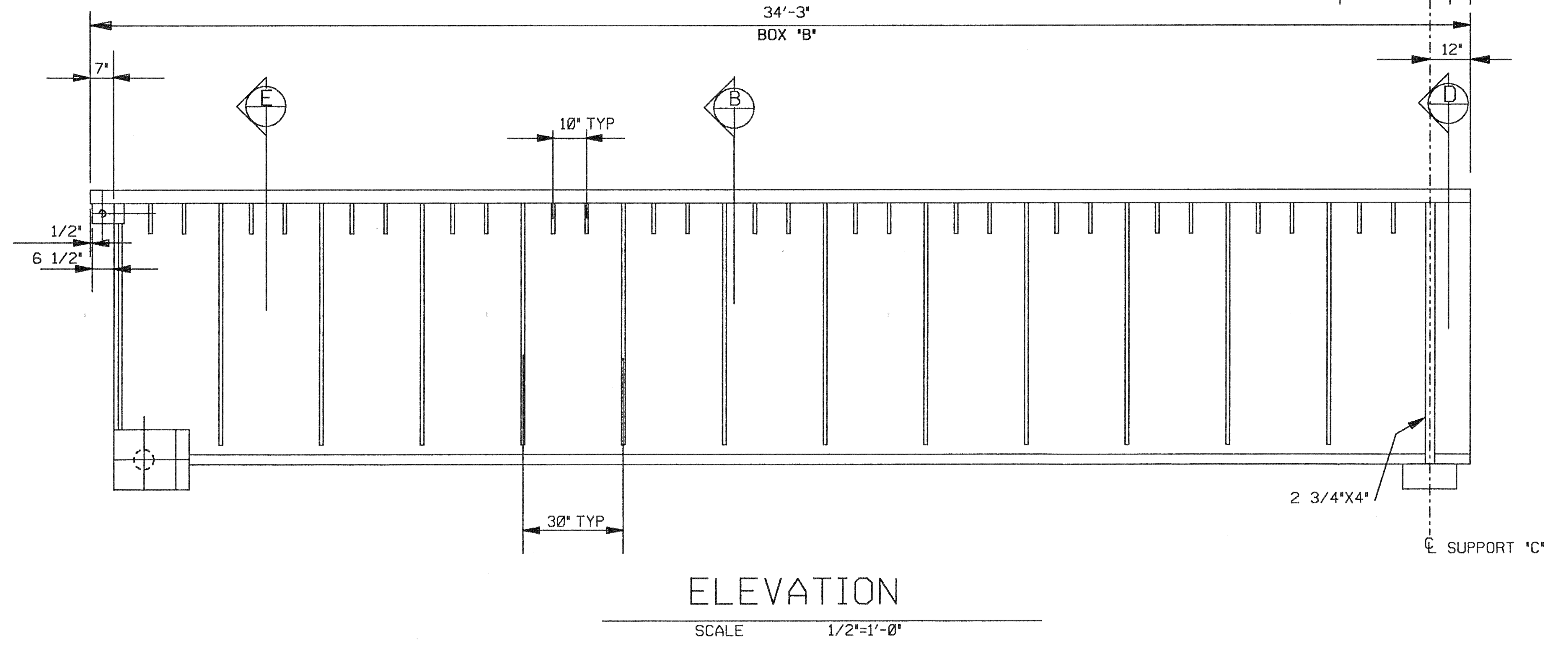
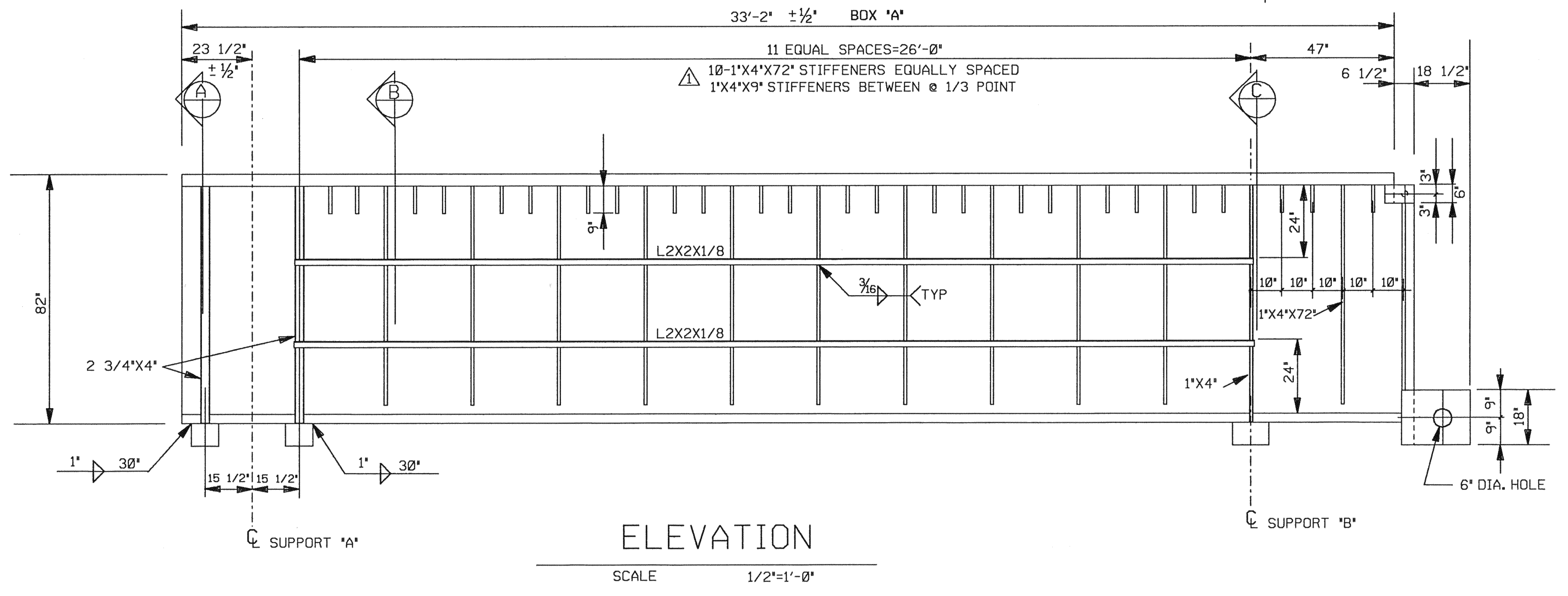
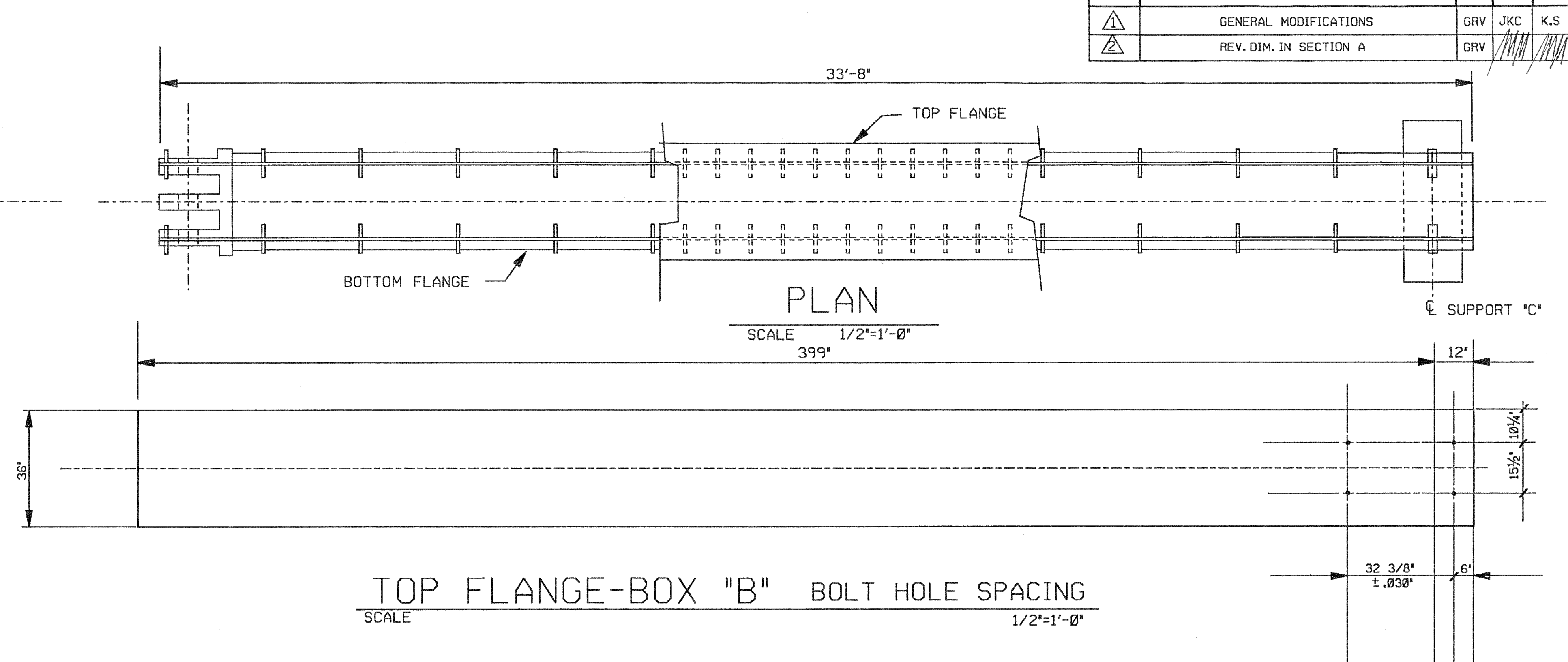
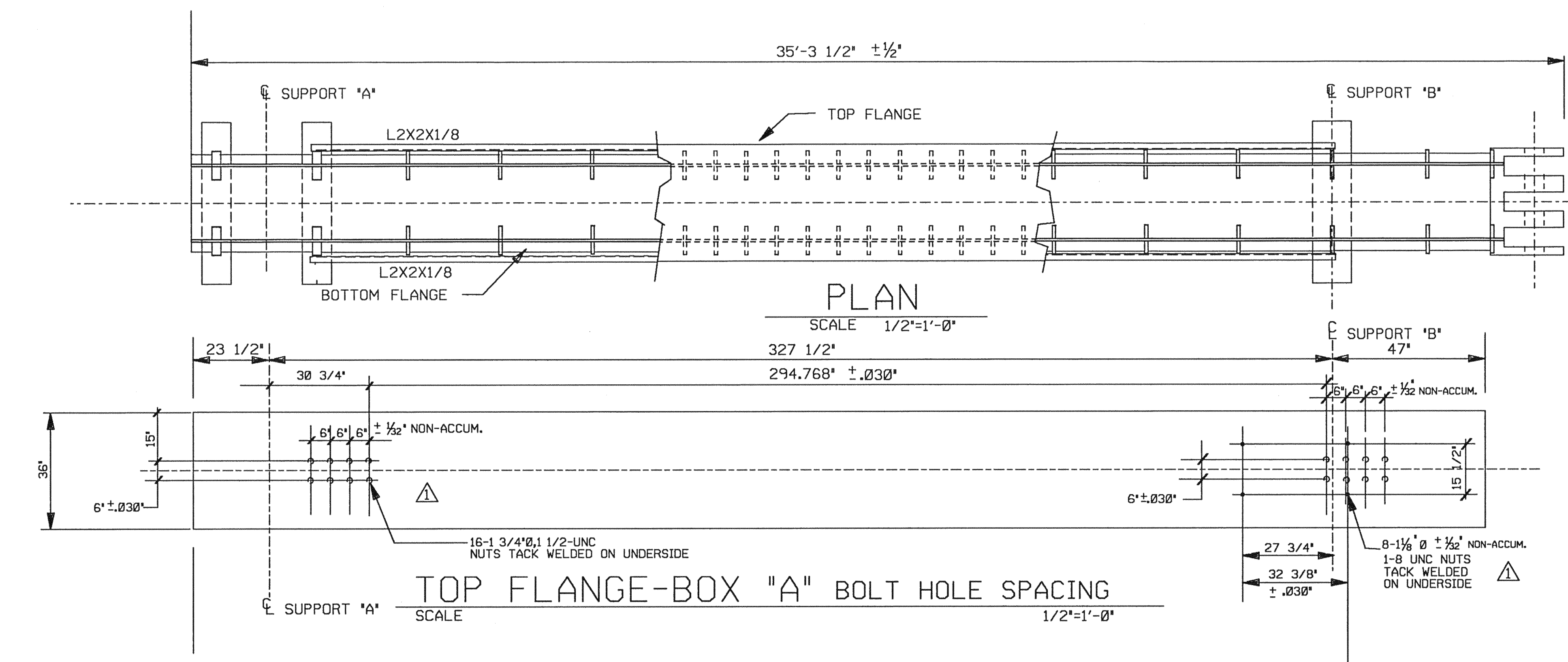


REV.	DESCRIPTION	DRN.	CHK.	APP.	DATE
1	GENERAL MODIFICATIONS	GRV	JKC	K.S.	6/1/87
2	REV. DIM. IN SECTION A	GRV			6-5-87



SCALE: AS NOTED	DO NOT SCALE DRAWING	PBFBUJ35	S-2
STANFORD LINEAR ACCELERATOR CENTER U. S. DEPARTMENT OF ENERGY STANFORD UNIVERSITY		S.L.D - L.A.C HEAVY ASSEMBLY BEAM BOX "A" & "B"	
PROPRIETARY DATA OF STANFORD UNIVERSITY AND/OR U.S. DEPARTMENT OF ENERGY. RECIPIENT SHALL NOT PUBLISH THE INFORMATION WITHIN UNLESS GRANTED SPECIFIC PERMISSION OF STANFORD UNIVERSITY.		APPROVALS ENGR. J. COOMEZ DFTS. GRV (CAD) CHK'D. J. Lohrey	
DATE: 2-30-87		R. 11/1/87	
SA 241-521-71 C2		E	

SA 241-521-71 C2