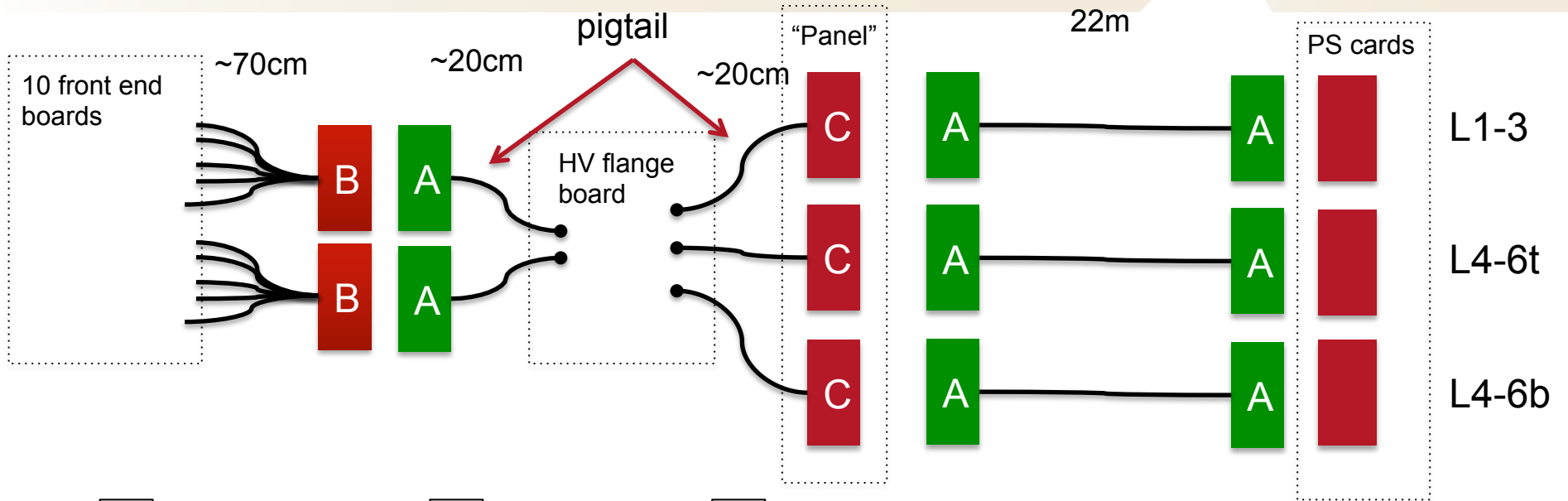


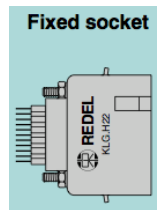
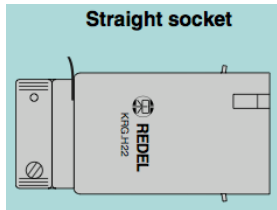
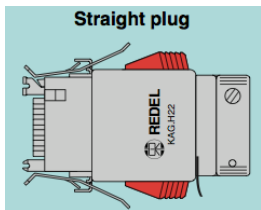
# HPS HV Connector Scheme



A

B

C



SAG.H51.LLLB1G female

SRG.H51.LLAB1G male

SLG.H51.LLA1G male

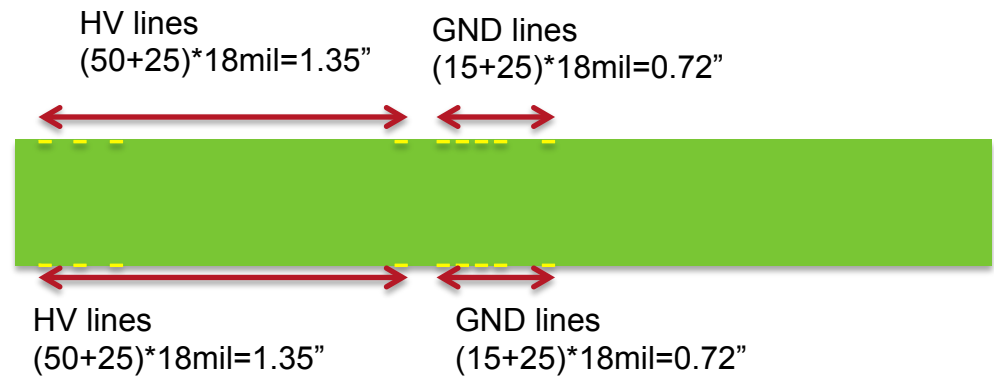
**Color code:**  
 Red=male contacts  
 Green=female contacts

# HV Flange Board Layout

HV: 50mil spacing, 25mil wide  
 GND: 15mil spacing, 25mil wide  
 36 pairs: 18 conductors on top side, 18 on bottom

Yellow pad: top side

Gray pad: bottom side



Two pigtails inside vacuum

Three pigtails outside vacuum